



COOKING PASSION SINCE 1877



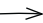
# THE NEFF COLLECTION

Cooking inspires people. People inspire us.



# CONTENTS

CHOOSING NEFF	002
ENERGY EFFICIENCY	003
THE NEW NEFF OVENS	004 - 005
THE NEFF OVENS COLLECTION	006 - 015
INSTALLATION OPTIONS	016 - 019
COOKING WITH A NEFF OVEN	020 - 021
COMPACT APPLIANCES	022 - 025
CHOOSING THE RIGHT OVEN FOR YOU	026 - 027
THE NEFF COLLECTIONS	028 - 029
THE NEFF PREMIUM COLLECTIONS	030 - 031
THE NEFF OVEN COLLECTIONS	024 - 071
Slide&Hide® Pyrolytic Ovens with VarioSteam®	032 - 033
Slide&Hide® Pyrolytic Ovens	034 - 035
Slide&Hide® Single Ovens with FullSteam	036 - 037
Slide&Hide® Single Ovens with VarioSteam®	038 - 039
Slide&Hide® Single Ovens	040 - 041
Single Pyrolytic Ovens	042 - 043
Single Ovens	044 - 046
Built-In Double Ovens	047 - 050
Built Under Double Ovens	051 - 053
Compact Ovens with FullSteam	054 - 055
Compact Ovens with Microwave	056 - 058
Compact Ovens	059 - 060
Compact Microwave Ovens	061 - 063
Microwave Ovens	064 - 066
Warming Drawers	068 - 070
Compact Coffee Centre	070 - 071
Specifications and Dimensions	072 - 081
HOBS	082 - 125
FlexInduction Hobs	094 - 098
Induction Hobs	100 - 105
Ceramic Hobs	106 - 108
Gas Hobs	109 - 116
Domino Hobs	117 - 119
Specifications and Dimensions	120 - 124
EXTRACTOR HOODS	126 - 175
Domino Hood	134 - 135
Downdraft Hood	136 - 137
Ceiling Mounted Hoods	138 - 140
Island Hoods	141 - 143
Angled Hoods	144 - 147
Glass Chimney Hoods	148 - 150
Box Chimney Hoods	151 - 153
Pyramid Chimney Hoods	154 - 156
Telescopic Hoods	157 - 159
Canopy Hoods	160 - 162
Integrated and Conventional Hoods	163 - 166
Specifications and Dimensions	167 - 175
REFRIGERATION	176 - 227
American Style Fridge Freezers	185 - 188
Built In Fridges Freezers	189 - 198
Built In Single Door Fridges and Freezers	199 - 211
Single Door Fridges and Freezers	212 - 215
Built Under Single Door Fridges and Freezers	216 - 217
Specifications and Dimensions	218 - 227
DISHWASHERS	228 - 249
Fully Integrated Dishwashers	236 - 240
Semi Integrated Dishwashers	241 - 243
Slimline Dishwashers	244 - 245
Specifications and Dimensions	246 - 249
LAUNDRY	250 - 259
NEFF COOKERY SCHOOLS	260
RETAILER INFORMATION	261
BAKE IT YOURSELF	262
NEFF CUSTOMER SERVICE	264 - 265

Turn over to view our  Oven Functions Index




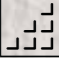



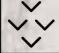
# OVEN FUNCTIONS INDEX

Your NEFF oven is equipped with a range of innovative functions which are designed to help you get the best out of your cooking. Please refer to our guide below when choosing your appliance.

## COOKING FUNCTIONS

- |   |   |
|---|---|
|  CIRCO THERM® ECO          |  FULL SURFACE GRILL            |
|  CIRCO THERM® INTENSIVE    |  VARIO STEAM®                  |
|  BREAD BAKING              |  FULL STEAM                    |
|  DEFROST                   |  CIRCO THERM® POWER BOOST      |
|  TOP/BOTTOM HEAT           |  BAKING AND ROASTING ASSISTANT |
|  BOTTOM HEAT               |  MULTIPOINT MEATPROBE          |
|  CIRCO ROASTING            |  CONVENTIONAL HEAT ECO         |
|  LOW TEMPERATURE COOKING |  SABBATH                     |
|  PLATE WARMING           |  DOUGH PROVING               |
|  REHEAT                  |  HOT AIR*‡                   |
|  STEAM SETTING           |  KEEP WARM                   |
|  CENTRE SURFACE GRILL    |   |

## OVEN CLEANING FUNCTIONS

- |   |  |
|---|--|
|  OVEN CLEANING           |  ECO CLEAN® |
|  PYROLYTIC SELF-CLEANING |  BASE CLEAN |
|  EASY CLEAN®             |  DESCALING  |

FOR FULL DETAILS ON THE \*FUNCTIONS PLEASE TURN TO PAGE 18

COOKING INSPIRES PEOPLE.  
PEOPLE INSPIRE US.





# CHOOSING NEFF



**Cooking inspires people. People inspire us.**

At NEFF we believe that the kitchen is the heart of every home. A place to eat, meet and get creative with your cooking. With an extensive range of innovative appliances, we're constantly working to meet the demands of every lifestyle. From our unique Slide&Hide® disappearing oven door to our revolutions in steam cooking, a NEFF kitchen is equipped for even the trickiest dishes.



## ADVANCED TECHNOLOGY

Applied technology is at the heart of the NEFF collection. Across our full range, you can expect to find lots of thoughtful touches designed to make the time you spend in the kitchen a joy. We carefully study the way people like to cook and use this as inspiration to create the kind of functions and features that really improve life in the kitchen.

## CONSTANTLY INNOVATING

Over the years, we have been responsible for a significant number of breakthrough products and kitchen concepts. These include CircoTherm® cooking, our unique Slide&Hide® oven door, FullTouchControl and SeamlessCombination. We're credited with many industry firsts. In fact, the whole notion of a modern fitted kitchen 'package' of furniture and appliances was pioneered by NEFF.

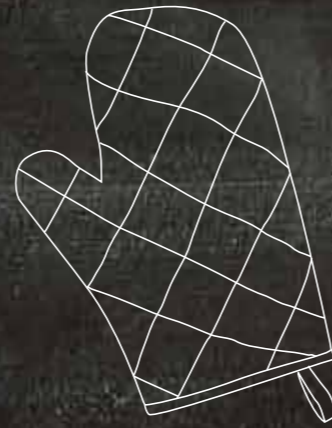


## QUALITY PRODUCTS

The best materials available are used to ensure our products perform to the highest standards – and look great too. We source our suppliers carefully and take our environmental responsibility seriously. At NEFF, quality is never compromised. Our commitment to innovation in design and engineering is recognised by both the international iF and the Red Dot design awards, and our top of the range single oven with the Slide&Hide® door was awarded the iF award in 2009.

## CONTINUING RELATIONSHIPS

Buying a NEFF product should be the start of a long lasting relationship. We pride ourselves on excellent after-sales service through dedicated telephone lines for customer service, replacement spare parts and accessories and product advice. We are delighted to have received the commended accolade in the Domestic & General Total Excellence & Quality Awards 2013.



# ENERGY EFFICIENCY



**Committed to the environment**

Improving energy efficiency and minimising water consumption are right at the heart of our environmental agenda, but we also carefully consider the entire life cycle of our products – from manufacture, to delivery, to usage, to disposal.

We are also committed to dealing fairly with our employees, partners and suppliers, and contributing positively to the communities in which we operate. Domestic appliances are responsible, on average, for about half of the energy consumption in a household. By using new, energy-efficient appliances, you can save real money over the long life of the appliance – and also protect the environment.

When you buy a new domestic product, it is therefore highly recommended that you pay close attention to low consumption values for energy and water. This information has been communicated by the European energy label since 1995.

However, technical progress has now led to a situation where most appliances today fall within the best energy classes. The energy label continues to provide essential information for laundry, dishwashers and cooling. The energy rating for ovens has recently changed to show A+ – D and for the first time there's now an energy rating system for extractor hoods. In addition, annual consumption values for energy and water are shown for laundry and dishwashers. The label must also show a value for noise emissions.



WE CONTINUE TO INVESTIGATE WAYS TO IMPROVE THE ENERGY EFFICIENCY OF ALL OUR APPLIANCES WITHOUT COMPROMISING THEIR PERFORMANCE.



**Outstanding efficiency:** Look for this symbol which highlights superior water and energy efficiency.

AT NEFF, WE TAKE OUR RESPONSIBILITIES AS A HOME APPLIANCE MANUFACTURER EXTREMELY SERIOUSLY.

## MADE IN GERMANY

NEFF was founded over 135 years ago in Baden-Württemberg, Southern Germany. All of our single and double ovens are made in Germany, the majority in our state-of-the art, 105,000 m<sup>2</sup> factory in Bretten, and we are the largest employer in the region. We are constantly researching new ways to improve the quality and sustainability of our appliances, keeping the NEFF brand right at the forefront of kitchen technology and ecological thinking. As well as having a proud manufacturing and engineering heritage, Germany legislates and encourages the highest environmental standards.







# THE NEW NEFF OVENS



Inspired by the most exacting demands

NEFF ovens are designed to inspire even the most seasoned Cookaholic. With functions and features to perfect your favourite dishes, we've designed a solution to meet every requirement. From revolutions in steam cooking to our unique CircoTherm® fan system, there's a programme to complement even the most creative dishes.

## OVENS FOR EVERY COOKAHOLIC

Our ovens are designed by cooks, for cooks. We're proud of our strong aesthetic values and our ovens look as good on the outside as they work on the inside. But what makes NEFF stand out is our commitment to providing a better cooking experience. We have programmes to perfect a joint of meat, bake light and fluffy muffins, prove dough and reheat food without drying it out. With innovative design features such as the fully retractable Slide&Hide® oven door, FullTouchControl and SeamlessCombination installation, we have a solution for every Cookaholic. All of our ovens also have CircoTherm® technology, meaning multi-level cooking is always available for total flexibility.

### OUR OVEN RANGE

At NEFF, we appreciate that every customer has a unique set of requirements. We've done our best to make our oven range as varied as possible to suit every kitchen.

There are three types of ovens in the NEFF collection: single, double and compact ovens.

### SINGLE OVENS

NEFF's flagship product. Whether on their own or combined with a compact appliance, our single ovens are amongst the best around.

### DOUBLE OVENS

A versatile kitchen companion featuring two cavities and at least three different cooking options.

### COMPACT OVENS

Our compact single CircoTherm® ovens are only 45cm high with plenty of functionality. Our premium compact appliances are also designed to line up perfectly with premium ovens in the collection. Further details can be found in the compact appliances section.

Our microwave model **H53W50N3GB** fits neatly into a 50cm wide wall cupboard.



**B58CT68N0B**  
Slide&Hide® Single Pyrolytic Oven

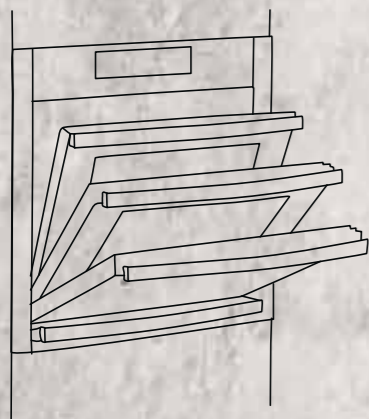


**U15E52N5GB**  
Double Oven



**C27CS22N0B**  
Compact Oven





**Slide:** When you open and close the oven door, the revolution handle rotates to give you a firm grip.

**Hide:** When open, the fully retractable oven door disappears completely under the oven cavity, creating optimum space in any kitchen.

# SLIDE&HIDE®

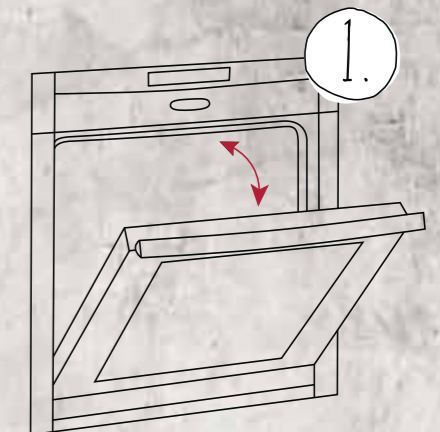
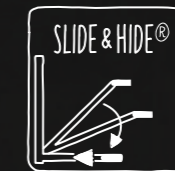


## Get closer to your cooking

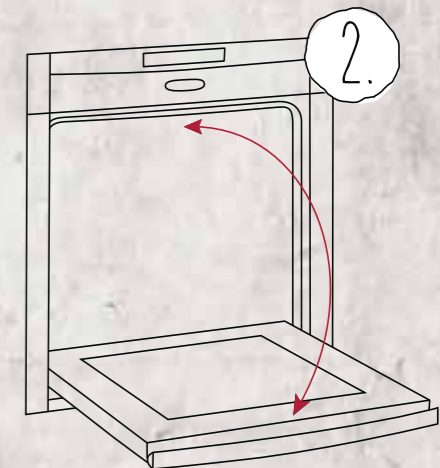
We create appliances that are tailored to modern lifestyles and requirements. Our unique Slide&Hide® door fits smoothly under the oven to give plenty of room, as well as better access to the oven's interior – ensuring an easy and flexible approach to cooking. Recognising our customers' need for maximum cooking space, our unique full-sized single ovens are now even larger with a 71-litre capacity.



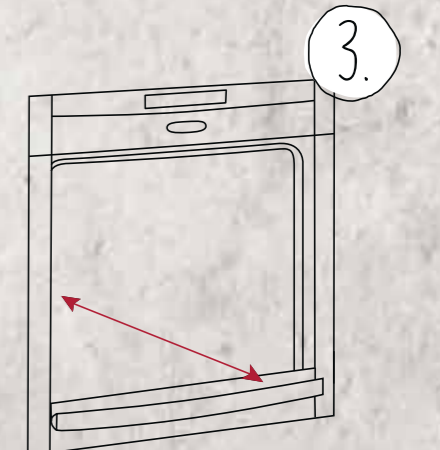
B48FT78NOB  
Slide&Hide® Single Oven



1. Accessible – Taste, taste and monitor your dishes throughout the cooking process.



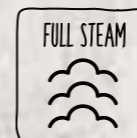
2. Space saving – Slide the door away to maximise space in small kitchens.



3. Unique – Be the envy of all your dinner guests with the only oven to feature a disappearing door.

NOTHING GETS IN THE WAY OF COOKING, NOT EVEN THE DOOR.

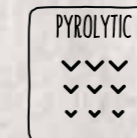
Selected Slide&Hide® models are now available with a choice of:



FullSteam functionality



VarioSteam® moisture



Pyrolytic self-cleaning

\*available from Spring 2016.



# CIRCO THERM®



## Simultaneous cooking on multiple levels

With CircoTherm® you can cook, roast and bake completely different dishes on all levels and everything will come out tasting like it's supposed to. With no intermingling of flavours, the roast meat will taste like roast meat, and the muffins will taste like muffins. With flat items like cookies you can now even bake on level four.

COOK A THREE-COURSE  
MEAL IN-ONE-GO  
WITHOUT THE INTERMINGLING  
OF FLAVOURS.



Not in the mood for roast pork raspberry fish muffins? CircoTherm® isn't either.



## ALL NEFF OVENS FEATURE CIRCO THERM®

CircoTherm® is very efficient and energy-saving, because the high speed air makes it possible to cook at low temperatures from 160°C – 190°C. This is great for keeping fat and juice spatter down too, making the oven much easier to clean. The innovative high-performance fan, with EfficientDrive motor technology and a very quiet-running fan, lowers the noise level significantly to create a calmer and more peaceful kitchen environment.

## ROASTING AND GRILLING WITH CIRCO THERM®

CircoTherm® is great for roasting because of the speed at which the heat is delivered. As a result roasts are quickly sealed and juices are retained, ensuring less shrinkage and producing a moist, succulent joint of meat. CircoTherm® grilling is the perfect way to cook foods which usually need to be grilled. There's no need to turn fish, burgers, steaks and sausages as the air circulates around them providing an even cooking result.

OUR UNIQUE CIRCO THERM® SYSTEM IS A METHOD OF FORCED AIR COOKING WHICH CONTINUES TO BE A BENCHMARK FOR ALL FAN OVENS.

## MULTIPOINT MEATPROBE

Precision cooking has never been easier.

We all have our own ideas about what makes a beautiful piece of meat. With NEFF's MultiPoint MeatProbe, perfecting a prime cut is as simple as piercing the meat and allowing your oven to tailor the cooking duration and temperature. With 3 temperature gauges on the probe, an even reading is always achieved, ensuring that poultry is safely cooked through without drying out.

## MULTIPOINT MEATPROBE MODELS:

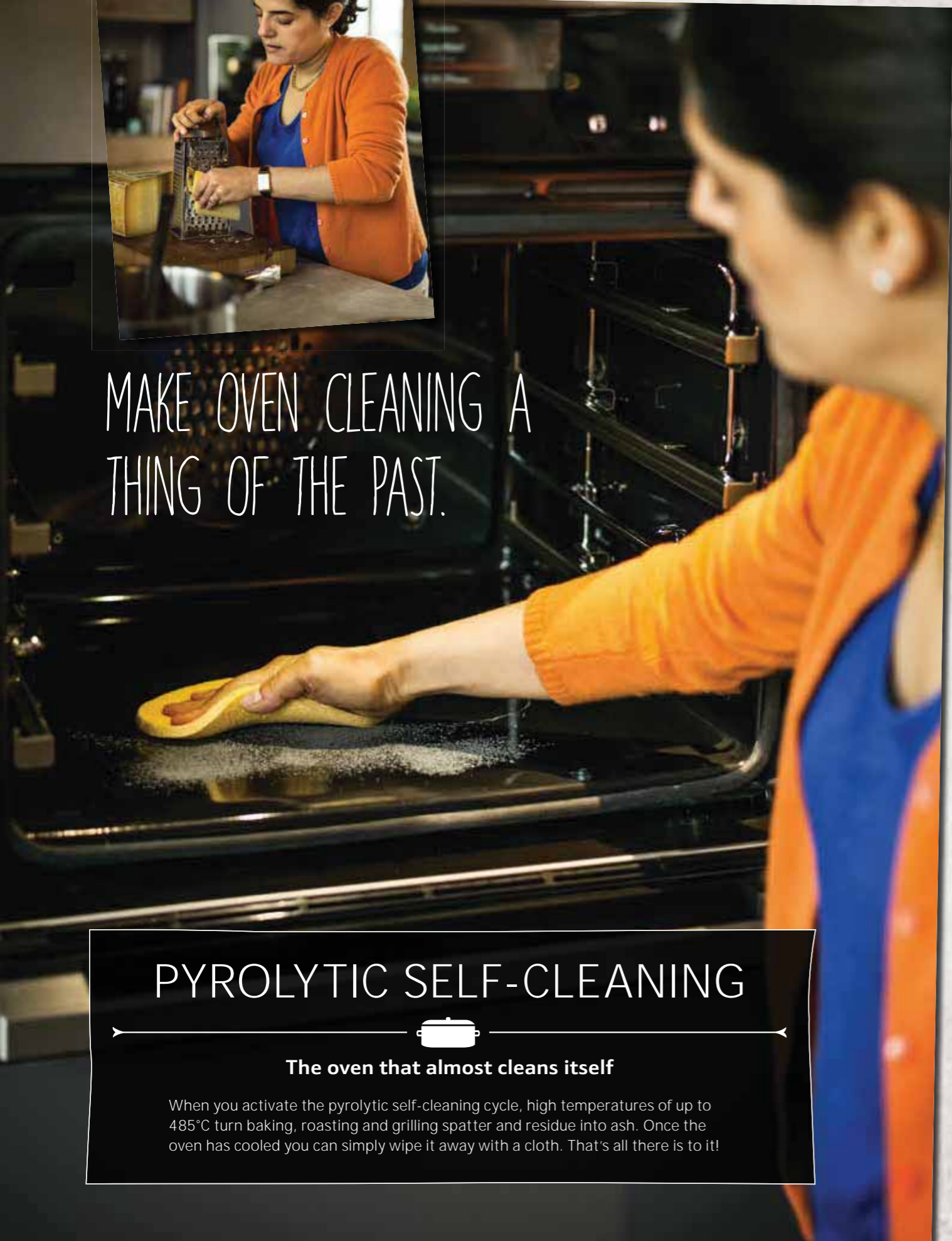
B58CT68NOB    B48FT78NOB  
C18FT56NOB    C28CT26NOB  
C28CT26NOB







MAKE OVEN CLEANING A THING OF THE PAST.

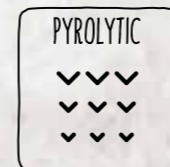
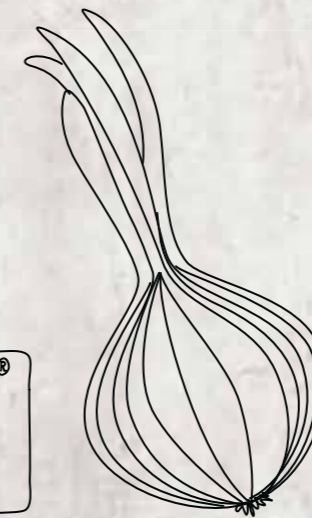


## PYROLYTIC SELF-CLEANING



**The oven that almost cleans itself**

When you activate the pyrolytic self-cleaning cycle, high temperatures of up to 485°C turn baking, roasting and grilling spatter and residue into ash. Once the oven has cooled you can simply wipe it away with a cloth. That's all there is to it!



### PYROLYTIC SELF-CLEANING

As a safety measure, the oven door locks automatically until the oven has cooled to an acceptable level. The whole process only takes 1-2 hours depending on the degree of soiling (there are three programme options).

What's more, all of our pyrolytic ovens also come with our efficient EasyClean® cleaning aid. For a lightly soiled oven, when a pyrolytic cycle is not required, place approximately 400ml of water and a drop of washing-up liquid in the base pan and then select the EasyClean® programme. It softens baked-on residue so you can just wipe it down, for fast and uncomplicated oven cleaning.

### SLIDE&HIDE® NOW WITH PYROLYTIC SELF-CLEANING

With the stylish and innovative Slide&Hide® single oven now available with pyrolytic self-cleaning, cleaning up those little spills won't eat into your dining time. From bubbled-over cheese to sizzling joints of meat, spatter and spillages are simply turned to ash, allowing you to quickly wipe away any residue once the oven has cooled.



**You can choose from three cleaning settings:**

- Light residue approx. 1 hour, 15 minutes
- Medium residue approx. 1 hour, 30 minutes
- Intensive cleaning approx. 2 hours

### ECO CLEAN®

In non-pyrolytic models we have the EcoClean® feature – a microfine ceramic bead coating on the oven's interior top, sides and back. It has a very large surface area, making it extremely absorbent. Depending on how often you use your oven, regeneration to get rid of accumulated soiling may only be necessary 2-3 times a year. It's done with the special EcoClean® cleaning procedure that uses a temperature of 275°C to automatically remove burnt-on food without chemical cleaners. This highly efficient coating lasts for the entire lifetime of the oven.

### BASE CLEAN

All ovens with the EcoClean® coating also have BaseClean to help clean the base of the oven – it softens burnt-on food with warm water. After the programme has finished you just have to wipe the base with a damp cloth.



LESS SALT,  
LESS OIL, MORE  
FLAVOUR.



## FULL STEAM



### A fully functioning oven and steamer in one

Our FullSteam oven combines all the heating modes of a full-featured oven with those of a steamer, in one single appliance. Ideal for fish and vegetables, nutrients are retained and food is left beautifully flavoursome. It's easy to operate and also simple to refill the concealed one litre water container – press a button to open the front panel, remove the container, fill it and you're ready to steam ahead.



Our FullSteam oven allows you to cook using VarioSteam® added moisture or 100% pure steam.

The FullSteam function is available in selected full-sized 60cm enamelled cavity ovens and in our steam 45cm compact appliances. The feature uses a patented dual-pump system\* with the first pump transporting fresh water from the tank to the evaporator and the second pump

automatically draining out any residual water. The patented two pump system ensures that only fresh water is vaporised, without scaling or dripping in the oven's interior.

The appliance will request fresh water as cooking commences and the 1.2kw steam generator will create the steam outside the cavity to avoid scaling. The new steam inlet cavity is in the rear wall next to

the fan. This ensures the steam is circulated via the rear vents together with the hot air. Our CircoTherm® hot air system circulates the air evenly so that steam surrounds the food at all times. The ring heating element and bottom heat automatically warms the cavity to avoid condensation caused by steam and, with the help of the automatic drying function, dries the oven out after cooking.

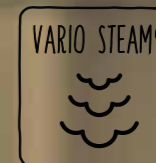
## VARIO STEAM®



### Innovative steam assistance

VarioSteam® gives dishes just the right amount of moisture by adding steam at three intensity levels, for baking, roasting or just heating up.

VarioSteam® works by adding the desired amount of steam, through ducts in the back plate, during the CircoTherm®, top and bottom heat, bread baking and grilling modes. There are pre-set programmes to provide a moist cooking environment and help achieve beautiful food that is perfectly succulent and tender. Dishes retain their colour, flavour and won't dry out during the cooking process.



Perfectly concealed: The newly developed water container is easy to remove and refill.

CRISP ON THE OUTSIDE,  
SUCCULENT ON THE INSIDE,  
DELICIOUS ALL ROUND.



THE NEFF OVEN COLLECTIONS

HOBBS

VENTILATION

REFRIGERATION

DISHWASHING

LAUNDRY



## FULL TOUCH CONTROL



### Intuitive display with finger tip control

Innovative FullTouchControl operation revolutionises convenience within our premium oven range. The control panel sets new standards with fast navigation and simple, precise operation by touching or swiping the control screen. The large high-resolution colour TFT display offers the greatest convenience of any oven control. It guides you easily through the menu, and its high contrast screen makes for excellent legibility.

FAST AND INTUITIVE OPERATION.

### SHIFT CONTROL

ShiftControl is ideal for cooks who prefer the convenience of a traditional rocker switch. Our large and medium TFT screens feature a colour display for even easier operation.

SHIFT CONTROL  
Quick programme selection leaves more time to enjoy cooking.

## COMFORT FLEX



### Comfortable and flexible access to your cooking

Lift hot dishes safely and comfortably out of the oven using our innovative ComfortFlex Rails. With the new design the rails don't get in the way – you can grasp the tray or dish from the side for more safety when handling. If fitted with changeable shelves the rails can be moved around easily and positioned in the oven at whichever of the four levels you prefer.



## BAKING AND ROASTING ASSISTANT



### Even the best sometimes need a little help

This innovative assistant makes preparing a variety of dishes even easier and more convenient. For each one, the Baking and Roasting Assistant serves up a cooking suggestion at the touch of a button. It also recommends the ideal heating mode, temperature and time, to ensure perfect results. The Baking and Roasting Assistant keeps you informed of the time remaining. Naturally, you can change all of the suggestions to give dishes a personal touch.

LET THERE BE LIGHT!

## NEFF LIGHT®



### Bright and brilliant

A unique feature by NEFF, which allows food to always be visible without opening the oven door. Most ovens have an internal lighting system, but when cooking, shelves and pans can reduce the effectiveness of the light. NEFFLight® brightly illuminates even the farthest corner of the oven using LED bulbs. A special prism in the oven door distributes the light evenly at all levels, for a good view without dazzle.



# INSTALLATION OPTIONS



## Mix and match your ideal kitchen

Create your perfect kitchen by choosing your very own premium appliance combination. With the option to seamlessly stack single ovens and compact appliances within the Premium Collection range, it's easy to create a sleek and stylish finish with our seamless combination strips.



Add a deep warming drawer to complete the look and cooking options

## VERTICAL COMBINATION

**PREMIUM COLLECTION 1**  
C28CT26NOB  
CircoTherm® Compact Oven with FullTouch Control



**PREMIUM COLLECTION 2**  
N17HH10NOB  
Warming Drawer

**PREMIUM COLLECTION 1**  
B58VT68NOB  
Slide&Hide® Single Oven with Pyrolytic and VarioSteam - FullTouch Control



**PREMIUM COLLECTION 2**  
N17HH20NOB  
Warming Drawer

**PREMIUM COLLECTION 1**  
C28MT27NOB  
Compact Combination Microwave - FullTouch Control



**PREMIUM COLLECTION 1**  
B48FT78NOB  
Slide&Hide® with FullSteam - FullTouch Control

**Z11SZ60X0**  
Seamless Combination Strips  
For 45cm Compact Oven with 14cm Warming Drawer



**Z11SZ80X0**  
Seamless Combination Strips  
For 60cm Single Slide&Hide® Oven with 29cm Warming Drawer



**Z11SZ90X0**  
Seamless Combination Strips  
For 60cm Single Slide&Hide® Oven with 45cm Compact Oven



**PREMIUM COLLECTION 3**  
C17MR02NOB  
Compact Combination Oven with Microwave - ShiftControl fascia 2.5"



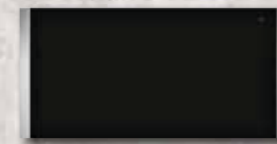
**PREMIUM COLLECTION 2**  
B57CS24NOB  
Slide&Hide® Single Oven with Pyrolytic ShiftControl fascia 4.1"



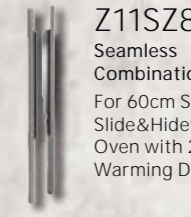
**Z11SZ90X0**  
Seamless Combination Strips  
For 60cm Single Slide&Hide® Oven with 45cm Compact Oven



**PREMIUM COLLECTION 3**  
B47CR32NOB  
Slide&Hide® Single Oven with CircoTherm® ShiftControl fascia 2.5"



**PREMIUM COLLECTION 2**  
N17HH20NOB  
Warming Drawer



**Z11SZ80X0**  
Seamless Combination Strips  
For 60cm Single Slide&Hide® Oven with 29cm Warming Drawer







# HORIZONTAL COMBINATION

**PREMIUM COLLECTION 1**  
B58VT68NOB  
Slide&Hide®  
Single Pyrolitic Oven

Operation is simple and intuitive with touch screen technology. Simply swipe and touch to select the perfect cooking setting.



**PREMIUM COLLECTION 1**  
C18MT36NOB  
Compact Oven with Microwave  
Operation is simple and intuitive with touch screen technology. Simply swipe and touch to select the perfect cooking setting.

**PREMIUM COLLECTION 2**  
N17ZH10NO  
Accessory Drawer

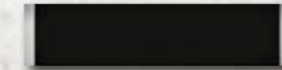
Z11SZ60XO  
Seamless  
Combination Strips  
For 45cm Compact Oven with 14cm Warming Drawer

Our collection of appliances can be installed to suit your cooking needs, kitchen space and design.



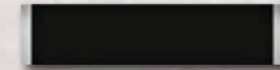
Combination strips cannot be used with Coffee Centre

**PREMIUM COLLECTION 1**  
C28CT26NOB  
CircoTherm® Compact Oven with FullTouch Control



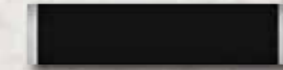
**PREMIUM COLLECTION 2**  
N17ZH10NO  
Accessory Drawer

**PREMIUM COLLECTION 2**  
C17KS61NO  
Compact Coffee Centre



**PREMIUM COLLECTION 2**  
N17ZH10NO  
Accessory Drawer

**PREMIUM COLLECTION 3**  
C17DR02NOB  
Compact Oven with FullSteam - ShiftControl Fascia 2.5"



**PREMIUM COLLECTION 2**  
N17ZH10NO  
Accessory Drawer

Z11SZ60XO  
Seamless  
Combination Strips  
For 45cm Compact Oven with 14cm Warming Drawer

**PREMIUM COLLECTION 1**  
C28MT27NOB  
Compact Combination Oven with Microwave - FullTouch Control



**PREMIUM COLLECTION 3**  
B57VR22NOB  
Slide&Hide® Single Pyrolitic Oven with VarioSteam - ShiftControl Fascia 2.5"

**PREMIUM COLLECTION 2**  
C27CS22NOB  
CircoTherm® Compact Oven with ShiftControl fascia 4.1"



**PREMIUM COLLECTION 1**  
B58VT28NOB  
Slide&Hide® Single Pyrolitic Oven



Z11SZ90XO  
Seamless  
Combination Strips  
For 60cm Single Slide&Hide® Oven and 45cm Compact Oven



# COOKING WITH A NEFF OVEN



Our ovens feature a range of functions detailed below. The icons we've used for each function are the same as shown on the oven, for total clarity and ease of use.

## MAIN OVEN FUNCTIONS



### CIRCO THERM® ECO

Optimised for cooking and baking on one level only for maximum energy efficiency. Opting for this setting saves 30% energy when compared to the maximum consumption allowed for A rated models. It's perfect for frozen or convenience foods, bread, cakes and meats. Available on all electronically controlled ovens.



### CIRCO THERM® INTENSIVE

Uses a combination of CircoTherm® and bottom heat, ideal for foods that need a crispy underside like pizzas or speciality breads. It can also be used for one stage pastry such as lemon meringue pie, eliminating the need for blind baking.



### BREAD BAKING

Bread baking temperature varies between 180°C and 220°C. Ideally suited to baking crusty bread with an open texture. Up to three levels of bread can be baked at the same time.



### DEFROST

The CircoTherm® fan circulates air through the oven to speed up defrosting times while retaining food colour and moisture. Ideal for delicate foods as well as fish and poultry.



### TOP/BOTTOM HEAT

Providing conventional cooking heat sources at the top and bottom of the oven. Heat travels to the centre of the oven by natural conduction. Ideal for baking pastries and scones.



### BOTTOM HEAT

Providing heat from the bottom of the oven, this method is ideal for pizza bases and pastry cases to create a crispy underside or for bain marie and casseroles.



### CIRCO ROASTING

An ideal function for cooking meat and poultry for a rotisserie result. The grill and fan distribute heat alternatively reducing cooking times by 35-40%.

## ADDITIONAL FUNCTIONS

### AUTOMATIC SAFETY SWITCH OFF

For electronic ovens only, this feature will automatically cut in if no changes to the settings on the appliance have been made in a long time, giving you complete peace of mind.

Temperature range	Automatic switch off after
Under 140°C	73 hours
141 – 200°C	6 hours
201 – 250°C	3 hours
251°C	2 hours



### DESCALING

All Neff compact steam appliances contain a descaling programme which can be set according to the hardness of the water.



### DOUGH PROVING

This function provides a warm, moist environment, perfect for proving yeast dough while improving the texture and quality of pastry foods, such as cakes and breads.



### HOT AIR\*†

The fan draws air from the interior of the oven, then heats it up and forces it back into the cavity to ensure even heat distribution.



### KEEP WARM

An ideal setting for keeping food warm without drying it out before serving. Typically set between 66°C to 100°C.

\*On compact ovens only. †Check individual models for availability.



### LOW TEMPERATURE COOKING

A special setting for hob-sealed prime cuts of meat and poultry. Meat/poultry is placed in a pre-heated dish and transferred into the oven. The low temperature setting uses a fixed temperature to gently tenderise without overcooking, resulting in meat/poultry that is juicy and melts in the mouth.



### OVEN CLEANING

A special electronic setting designed to keep EcoClean® surfaces inside the oven as clean as possible. Used on a regular basis, it can keep the oven's interior lining remarkably clean with minimal maintenance required.



### PLATE WARMING

Hot air is circulated at up to 65°C to safely warm plates and service dishes in preparation for dinner.



### PYROLYTIC SELF-CLEANING

Pyrolytic cleaning is a self-cleaning system for ovens. The process superheats the oven to approximately 485°C, which burns off any deposits from baking, roasting and grilling. This creates a perfectly clean oven and a residue of fine ash that's easily removed with a damp cloth.



### REHEAT

Reheat allows you to gently warm dishes again – and thanks to the moisture in the oven, they will look and taste freshly prepared.



### STEAM SETTING

A setting specifically used in conjunction with the NEFF system steamer accessory **Z19DD10X0**. This provides one of the healthiest cooking methods around.



### EASY CLEAN®

For a lightly soiled oven, put approximately 400ml of water and a drop of washing-up liquid in the base pan and then select the EasyClean® programme. It softens baked-on residue so you can just wipe it down, for fast and uncomplicated oven cleaning.



### ECO CLEAN®

NEFF's patented EcoClean® is a microfine ceramic bead coating on the oven's interior top, sides and back. It has a very large surface area, making it extremely absorbent. It absorbs fat droplets and keeps the inside of the oven clean.



### BASE CLEAN

BaseClean helps clean the bottom of the oven by softening dirt with warm water. After the programme has finished you just have to wipe the base with a damp cloth.



### CENTRE SURFACE GRILL

You can use just the centre section of the grill for smaller quantities.



### FULL SURFACE GRILL

The grill element is situated in the oven roof. It is thermostatically controlled and will cycle on and off to maintain the required temperature.



### VARIO STEAM®

VarioSteam® gives dishes just the right amount of moisture by adding steam at three intensity levels, for baking, roasting or just heating up. Foods come out with more intense flavour and an appetising appearance.



### FULL STEAM

Make your favourite dishes healthier by locking in food's nutrients and flavour with our FullSteam function. It's easy to operate and also simple to refill the one litre water container – press a button to open the front panel, remove the container, fill it and you're ready to steam ahead.



### CIRCO THERM® POWER BOOST

The PowerBoost function speeds things up even more when cooking for short periods of time – just put the food in and start the oven.



### BAKING AND ROASTING ASSISTANT

This innovative assistant makes food preparation even easier and more convenient. The Baking and Roasting Assistant serves up a cooking suggestion at the press of a button. It also recommends the ideal heating mode, temperature and time, to ensure perfect results.



### MULTIPOINT MEATPROBE

The MultiPoint MeatProbe measures the joint's heat at three points to ensure the right core temperature is reached and the meat is cooked for the correct duration of time.



### CONVENTIONAL HEAT ECO

This setting heats up the centre of the oven for single shelf cooking. The oven maintains its average temperature in a more economical way by cutting out the on/off thermostat so the oven cooks on residual heat.



### SABBATH

This setting engages the top and bottom heating elements to reach a temperature of between 85°C and 140°C. The oven can be set to run for up to 74 hours to keep food warm, without activating the fan, lights and controls as these are disabled.



# COMPACT APPLIANCES



There's no reason small can't be beautiful

Our compact appliances are a stylish and practical way to extend your range of cooking options. Featuring a number of steam and microwave ovens, as well as warming drawers and even a coffee centre, the compact range creates truly unique and versatile kitchen solutions.

THE BEAUTY OF A MICROWAVE COMBINATION MODEL IS THAT IT CAN MIMIC ALL THE BENEFITS OF A TRADITIONAL OVEN IN A FRACTION OF THE TIME.



## STEAM OVENS

Steaming is recognised as one of the healthiest ways of cooking food. Our compact steam ovens are incredibly flexible and provide the opportunity to combine steam cooking with other conventional cooking methods. They can even steam food from frozen, perfect for people wanting a healthier lifestyle.

## MICROWAVE OVENS

No kitchen should be without a microwave oven. Whatever time, day or night, whip up a meal in half the time, using very little energy.

## WARMING DRAWERS

Not only do warming drawers heat plates before serving and keep food warm until it's ready to dish up, they can also be used for preparing yoghurt, defrosting delicate foods, proving dough and melting chocolate.

## ACCESSORY DRAWER

The fully extendable accessory drawer provides additional storage space.

## COFFEE CENTRE

Create the freshest coffee imaginable with our bean to cup coffee machine. Coffee, espresso, cappuccino, latte – the choice is endless.

# TOTAL FLEXIBILITY WITH COMPACT APPLIANCES



## MICROWAVE OVENS EXPLAINED...

There are two types of microwave and oven combination appliances in the NEFF range:

### ☉ Microwave ovens

Conventional microwave ovens use microwaves to cook food – a very fast and versatile system of cooking, perfect for heating ready meals, cooking from frozen or defrosting food at any time.

### ☉ Compact ovens with microwave

Ovens with an integrated microwave can mix the functions of both with the emphasis on the traditional oven heating elements – inside it looks like a conventional three shelf oven. This is a great choice if you want to use oven functionality but with the added benefit of speed.



H12GE60N0G

### MICROWAVE OVENS:

H12GE60N0G	H11WE60N0G
H12WE60N0G	H11WE60S0G
H12GE60S0G	H53W50N3GB
H12WE60S0G	H53W50S3GB
H12WE60W0G	



C17MS32N0B

### PREMIUM COLLECTION

### COMPACT OVEN WITH MICROWAVE:

C28MT27N0B  
C27MS22N0B  
C17MS32N0B  
C17MR02N0B  
C17UR02N0B (compact microwave oven)



C17GR00N0B

### COMPACT OVENS WITH MICROWAVE

C17GR00N0B\*  
C17GR01N0B\*  
C17WR00N0B\*  
C17WR01N0B\*

\*Installation above a single oven is not recommended for these models.

**POWER LEVELS**  
All of our microwave ovens have five power levels. In general, high power is used for heating liquids and cooking vegetables, and low settings are used for reheating, baking, roasting, defrosting and keeping foods warm.





C18FT56N0B Compact Steam Oven

### STEAM COOKING EXPLAINED...

Steam cooking is ideal for health-conscious foodies. Designed to retain vitamins, nutrients and keep food looking vibrant and fresh, steaming is a healthy and impressive way to cook your favourite dishes. By retaining flavours more effectively, there's less need for salt and oil too.

Our compact steam appliances work in the same way as our full steam ovens - the only difference is the smaller 45 litre capacity in the compact range.

### COMPACT COMBINATION STEAM OVENS:

**C18FT56N0B**

**C17FS32N0B**

We also have one pure steam compact oven in the range (**C17DR02N0B**) to cook meals that not only taste good, but are healthy too. As well as sealing in all the vitamin and mineral content of fresh food, steaming preserves natural flavour so less salt and oil is required.



HAVING THE OPTION TO STEAM COOK EVERY DAY IS A GREAT BENEFIT TO HEALTHY EATING AND IMPROVING NUTRITION IN MEALS.

### WARMING DRAWERS EXPLAINED...

A warming drawer is a must for the serious cook. They're useful and versatile and help with the preparation and timing of meals. Easily accessible on smooth telescopic runners, they'll not only warm plates before serving up, but keep pre-cooked food warm too. As well as warming, they can be used to defrost delicate foods, melt chocolate, make yoghurt and prove dough.

There are two sizes – 14cm high, which holds 12 plates, the other 29cm high, which holds 40 plates. Of the three warming drawers in the range, two have a push-pull open mechanism, the other has a handle. For the first time, our 29cm warming drawer features the push-pull open mechanism.

### WARMING DRAWERS:

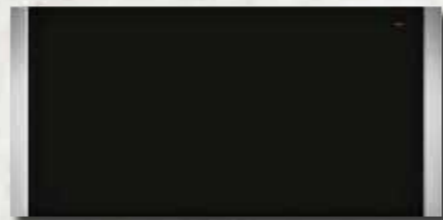
**N17HH20N0B**

**N17HH10N0B**

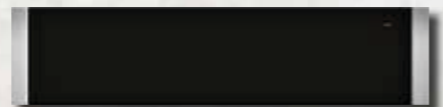
**N17HH11N0B**

### THE NEFF ACCESSORY DRAWER (N17ZH10N0)

Our 14cm fully extendable accessory drawer provides additional storage space for anything from tea towels, to mugs and latte glasses.



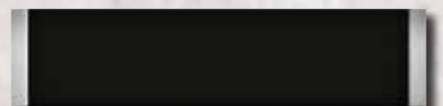
**N17HH20N0B** Warming Drawer  
29cm high – 40 plate capacity



**N17HH10N0B** Warming Drawer  
14cm high – 12 plate capacity



**N17HH11N0B** Warming Drawer with handle  
14cm high – 12 plate capacity



**N17ZH10N0** Accessory Drawer

# THE NEW NEFF COFFEE CENTRE



Choose from Ristretto, Espresso, Espresso Macchiato, Coffee, Cappuccino, Latte Macchiato, Caffè Latte, milk froth, warm milk or hot water with the new coffee centre.



### SIMPLE, FAST AND IRRESISTIBLE

For an optimal aroma extraction, the brewing temperature of coffee needs to be between 90-95°C. The unique SensoFlowSystem in our new machine always heats the water to precisely this temperature, guaranteeing the highest indulgence with every cup.

The new coffee centre makes it possible to dispense all beverages into two cups at the same time. Before, this was only possible for milk free drinks like espresso and black coffee. A short steam draft now also cleans the milk system automatically after each milk beverage, so no daily cleaning is necessary. Cleaning in the dishwasher is only required once a week, and it's made extra simple as all parts are easily removable and dishwasher safe.

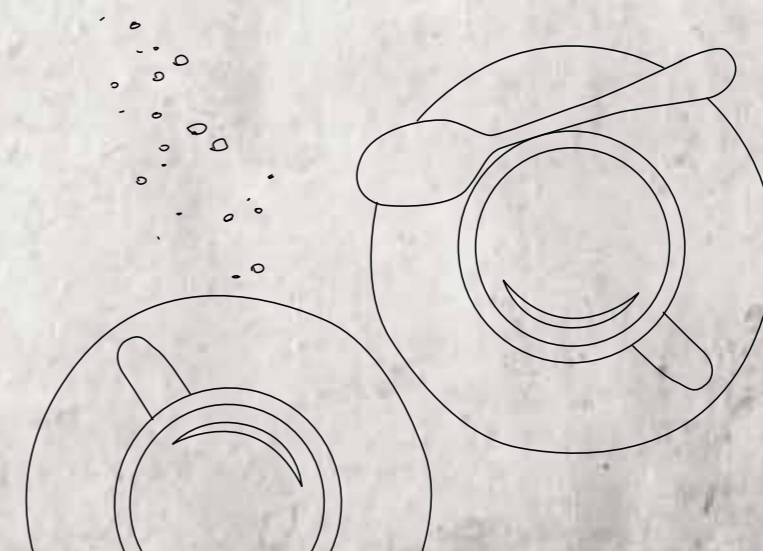
As with all other compact appliances, our coffee centre is designed to perfectly align with the entire new oven series and features the ShiftControl panel. The new design improves usability too. All containers for milk and beans are now hidden behind the coffee machine door, creating additional niche possibilities for kitchen planning – it is now possible to install next to a wall to the right, where formerly a 20cm space was required. In addition, moving parts like rails no longer need to be installed.

### MY COFFEE

Impress guests and add a personal touch to your kitchen with the new MyCoffee option. Eight individual beverages can be created, allowing you to select strength, size, temperature and share of milk before saving it under your guest's name. Access to your personal coffee is fast and easy by pressing the



**C17KS61N0** Coffee Centre





# CHOOSING THE RIGHT OVEN FOR YOU



## What makes you a Cookaholic?

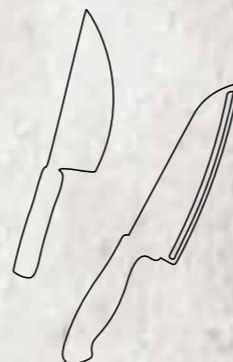
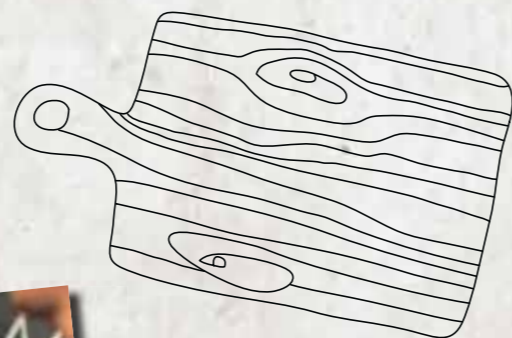
How do you like to cook your favourite meals? From your own tried and tested creations to experiments with new flavours and textures, our ovens are designed to help enhance the dishes you love to cook. With innovations in steam, settings for prime meat joints and helpful suggestions at every step of the way, we're confident that our ovens will inspire you to try something new. Of course, no matter what setting you choose, CircoTherm® will always be on hand to ensure an even temperature is reached and maintained as quickly as possible.



**PREMIUM COLLECTION**  
**B58VT68NOB**  
 Slide&Hide® Pyrolytic Single Oven with VarioSteam

## PYROLYTIC CLEANING ESSENTIAL FOR MULTI-TASKING COOKS

Cookaholics love to get creative in the kitchen - a little mess is all just part and parcel of the process. With pyrolytic self-cleaning, oven residue is simply turned to ash, allowing you to wipe away minimal residue once the oven has cooled. With cleaning temperatures reaching up to 485°C, the oven securely locks until the cycle has ended.



**PREMIUM COLLECTION**  
**B58CT68NOB**  
 Slide&Hide® Pyrolytic Single Oven

## PRECISION COOKING FEATURES DESIGNED WITH TRUE PERFECTIONISTS IN MIND

Whatever you like to cook, our ovens offer functions and features that help you achieve precision results with every dish. For perfect poultry, fish and red meat, our MultiPoint MeatProbe is used to pierce the meat throughout the whole cooking process. With three temperature gauges, an accurate reading is taken for succulent, safe results every time. If cakes and bakes are your speciality, NEFF's Baking and Roasting Assistant will suggest the ideal cooking method at just the touch of a button.



**PREMIUM COLLECTION**  
**B48FT78NOB**  
 Slide&Hide® Pyrolytic Single Oven with FullSteam

## STEAM COOKING THE PERFECT CHOICE FOR ADVENTUROUS COOKS

With two dedicated steam cooking systems available, creating dishes with added moisture, flavour and nutrients is easy with a NEFF oven. Our FullSteam 100% pure steam cooking is a wonderful way to cook fresh vegetables and incorporate healthier eating habits into your diet. If fresh bread and roast meats are a regular show-stopper at your table, our VarioSteam® added moisture function is perfect for succulent meat and boulangerie-worthy baguettes.





# THE NEFF COLLECTIONS



New look, same innovative NEFF features

Great functionality doesn't mean you have to compromise on beautiful design. Our ovens feature all of the innovative features you can expect from our classic range with a design that complements the stylish Premium Collection.



For Single Ovens, see pages 32-45.  
For Compact Ovens, see pages 54-60

**B58CT28N0B**  
Slide&Hide® Single Pyrolytic Oven

## PREMIUM COLLECTION

Our Premium Collection is full of innovative features to help inspire you in the kitchen. With our Slide&Hide® fully retractable oven door and a choice of 3 TFT display and operation modes, our Premium range is ideal for contemporary kitchens. Selected Premium Collection models can be combined via our SeamlessCombination strips to create a flush, fully-integrated finish.



For Double Ovens, see pages 47-53.

**U14S32N5GB**  
Double Oven

## CLASSIC COLLECTION

With a stylish black fascia design, our Classic Collection ovens deliver on style and functionality. Featuring silver control dials, the range is ideal for cooks who prefer a more traditional way to operate their oven. With CircoTherm® technology incorporated in all NEFF ovens, it's possible to cook different dishes across all four levels with no intermingling of flavours.



A STYLISH UPGRADE FOR STYLISH KITCHENS.



# THE NEFF PREMIUM COLLECTIONS



A Premium Collection for the most demanding Cookaholics

Our Premium Collection offers a contemporary solution for every Cookaholic. Featuring 3 unique modes of display and operation, how you control your oven is completely up to you. With a large 5.7" TFT colour display and FullTouchControl featuring on our Premium Collection 1 models, selecting the precise cooking setting is quick and easy. For cooks who prefer the solidarity of a rocker switch, our Premium Collection 2 and 3 models feature TFT screens with convenient ShiftControl operation. The appliances within our collections can be mixed and matched to create your perfect cooking station.



## PREMIUM COLLECTION 1 See Pg's 28, 30 and 32

Ovens within this collection include the following features:

- Slide&Hide®
- Pyrolytic self-cleaning
- FullSteam
- VarioSteam®
- FullTouchControl with 5.7 inch high resolution TFT colour display
- ComfortFlex® Rails
- NeffLight®
- MultiPoint MeatProbe
- Baking and Roasting Assistant

This collection also includes a compact oven, compact steam ovens and compact ovens with microwave.



FullTouchControl display; 5.7" high resolution TFT colour and graphics display



## PREMIUM COLLECTION 2 See Pg's 29, 31, 33 and 36

Ovens within this collection include the following features:

- Slide&Hide®
- Pyrolytic self-cleaning
- FullSteam
- VarioSteam®
- ShiftControl 4.1 inch high resolution TFT colour display
- Baking and Roasting Assistant

This collection also includes a compact oven, a compact steam oven a compact oven with microwave, warming drawers and a coffee centre.



Medium ShiftControl; 4.1" high resolution TFT colour and graphics display



## PREMIUM COLLECTION 3 See Pg's 29, 31, 35, 37 and 38 to 41

Ovens within this collection include the following features:

- Slide&Hide®
- Pyrolytic self-cleaning
- VarioSteam®
- ShiftControl 2.5 inch high resolution TFT colour display

This collection also includes a compact steam oven and compact ovens with microwave.



Small ShiftControl; 2.5" high resolution TFT colour and graphics display





# RE-INVENTING TRADITIONAL COOKING

We've combined our unique Slide&Hide® disappearing door with our most innovative solutions in oven cleaning & steam-assisted cooking. The result? Ovens that truly re-write the cookbook. All you need to do is select the design and cooking functions that suits your cooking needs.

For further information on how to combine a single oven and compact appliance, visit pages 16-19

## SLIDE & HIDE® PYROLYTIC OVENS WITH VARIO STEAM®

The ultimate choice for creative Cookaholics

What dishes do you like to create in your kitchen? Whatever your specialties, we've designed an oven to inspire even the most experimental cooks. Combining our unique Slide&Hide® disappearing door design with VarioSteam® and pyrolytic self-cleaning, creative cooks can achieve succulent meat, beautifully crusty bread and flavoursome bakes without worrying about roasting spatter and spillages. With intuitive FullTouchControl or ShiftControl operation available, choosing the perfect cooking setting for your dish is quick, simple and precise.



**B58VT68NOB**  
Slide&Hide® Single Pyrolytic Oven

**KEY FEATURES**

- Slide&Hide®
- Cooking Functions **15**
- CircuTherm®
- Pyrolytic
- VarioSteam®
- NeffLight®
- ComfortFlex
- FullTouchControl
- MightPoint MeatProbe
- Bake and Assist
- Energy **A**
- Efficient

**COOKING FUNCTIONS**

**OVEN CLEANING**

**ADDITIONAL FEATURES**

- Sabbath setting
- LED light

**ACCESSORIES**

- 2 x wire shelves
- 1 x universal pan

FullTouchControl display 5.7inch high resolution  
TFT colour graphics display



**B57VS24NOB**  
Slide&Hide® Single Pyrolytic Oven

**KEY FEATURES**

- Slide&Hide®
- Cooking Functions **13**
- CircuTherm®
- Pyrolytic
- VarioSteam®
- ComfortFlex
- ShiftControl
- Bake and Assist
- Energy **A**
- Efficient

**COOKING FUNCTIONS**

**OVEN CLEANING**

**ADDITIONAL FEATURES**

- Sabbath setting
- LED light

**ACCESSORIES**

- 2 x wire shelves
- 1 x universal pan

Medium ShiftControl 4.1inch high resolution  
TFT colour and graphics display



**B57VR22NOB**  
Slide&Hide® Single Pyrolytic Oven

**KEY FEATURES**

- Slide&Hide®
- Cooking Functions **12**
- CircuTherm®
- Pyrolytic
- VarioSteam®
- ShiftControl
- Energy **A+**
- Efficient

**COOKING FUNCTIONS**

**OVEN CLEANING**

**ADDITIONAL FEATURES**

- Sabbath setting
- Interior halogen light

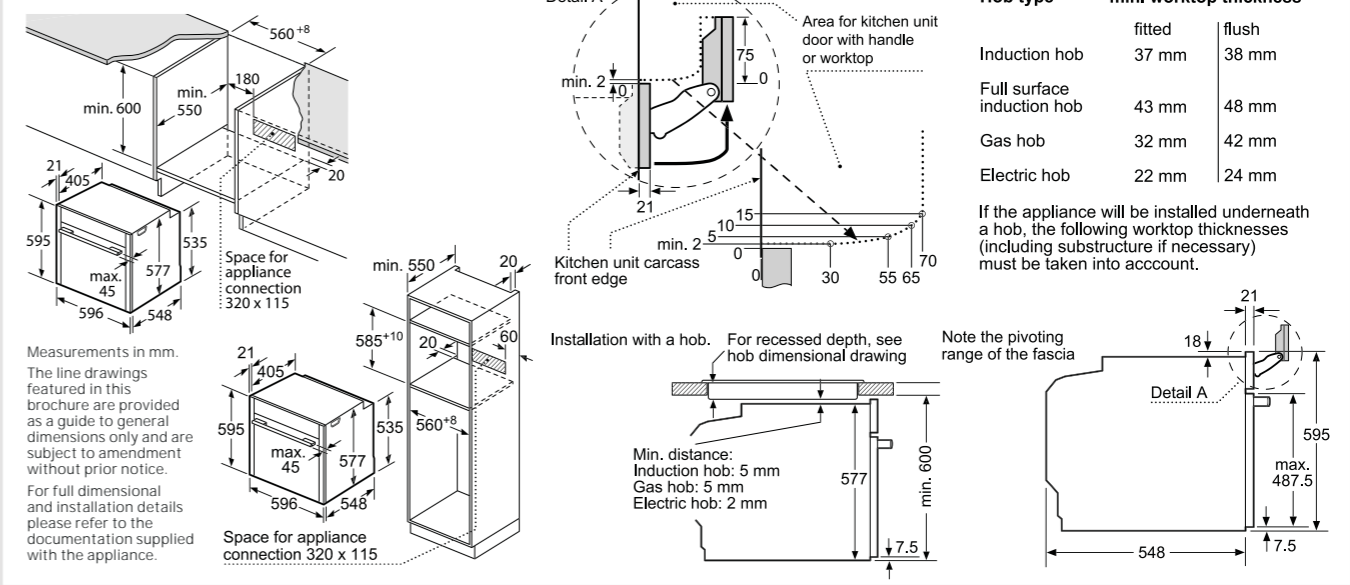
**ACCESSORIES**

- 2 x wire shelves
- 1 x universal pan

Small ShiftControl 2.5inch high resolution  
TFT colour and graphics display



**B58VT68NOB, B57VS24NOB, B57VR22NOB**





# DISAPPEARING DOOR, DISAPPEARING MESS.

When cooking is a true labour of love, roasting spatter and spillages are always going to be a possibility. With pyrolytic self-cleaning now available with Slide&Hide®, our iconic oven is the perfect post-dinner party assistant.

For further information on how to combine a single oven and compact appliance, visit pages 16-19



**B58CT68NOB**  
Slide&Hide® Single Pyrolytic Oven

**KEY FEATURES**

- Slide&Hide®
- Cooking Functions **15**
- CircoTherm®
- Pyrolytic
- NeffLight®
- ComfortFlex
- FullTouchControl
- MultiPoint MeatProbe
- Bake and Assist
- Energy **A**
- Efficient

**COOKING FUNCTIONS**

**OVEN CLEANING**

**ADDITIONAL FEATURES**

- Sabbath setting
- LED light

**ACCESSORIES**

- 2 x wire shelves
- 1 x universal pan

FullTouchControl display 5.7inch high resolution  
TFT colour graphics display



## SLIDE&HIDE® PYROLYTIC OVENS

The only oven with the disappearing door now cleans itself too.

With our innovative and unique Slide&Hide® single ovens now available with pyrolytic self-cleaning, dealing with those little spills won't eat into your dining time. From bubbled over cheese to sizzling joints of meat, spatter and spillages are simply turned to ash, allowing you to quickly wipe away any minimal residue once the oven has cooled. With a choice of FullTouchControl and ShiftControl operation modes available, there's an ideal operating solution for every Cookaholic.

**B57CS24NOB**  
Slide&Hide® Single Pyrolytic Oven

**KEY FEATURES**

- Slide&Hide®
- Cooking Functions **13**
- CircoTherm®
- Pyrolytic
- ComfortFlex
- ShiftControl
- Bake and Assist
- Energy **A**
- Efficient

**COOKING FUNCTIONS**

**OVEN CLEANING**

**ADDITIONAL FEATURES**

- Sabbath setting
- Interior halogen light

**ACCESSORIES**

- 2 x wire shelves
- 1 x universal pan

Medium ShiftControl 4.1inch high resolution  
TFT colour and graphics display



**B57CR22NOB**  
Slide&Hide® Single Pyrolytic Oven

**KEY FEATURES**

- Slide&Hide®
- Cooking Functions **12**
- CircoTherm®
- Pyrolytic
- ShiftControl
- Energy **A+**
- Efficient

**COOKING FUNCTIONS**

**OVEN CLEANING**

**ADDITIONAL FEATURES**

- Sabbath setting
- Interior halogen light

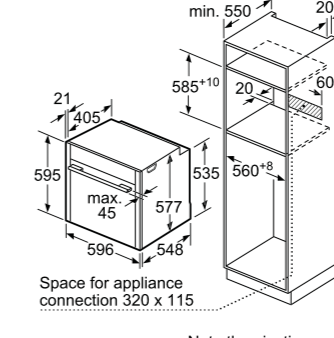
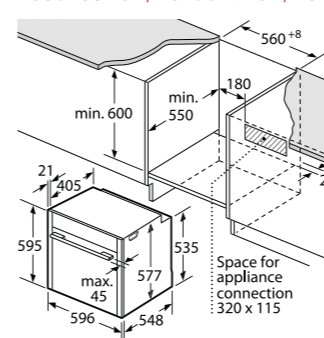
**ACCESSORIES**

- 2 x wire shelves
- 1 x universal pan

Small ShiftControl 2.5inch high resolution  
TFT colour and graphics display

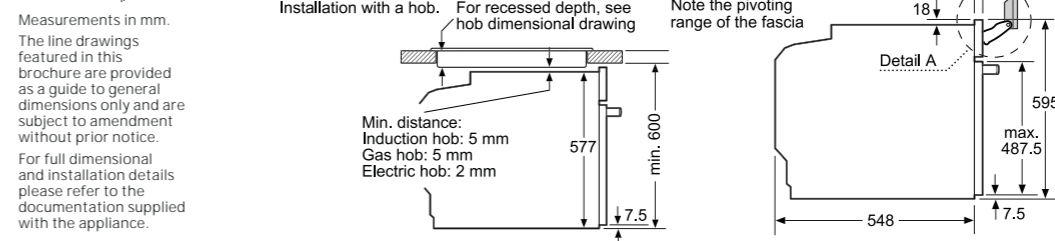


### B58CT68NOB, B57CS24NOB, B57CR22NOB



Hob type	min. worktop thickness	
	flush	flush
Induction hob	37 mm	38 mm
Full surface induction hob	43 mm	48 mm
Gas hob	32 mm	42 mm
Electric hob	22 mm	24 mm

If the appliance will be installed underneath a hob, the following worktop thicknesses (including substructure if necessary) must be taken into account.





BEAUTIFULLY  
MOIST,  
FLAVOURSOME  
MEALS? THE  
PROOF'S IN  
THE PUDDING.

Steaming is the ideal choice for Cookaholics who love to cook with fresh, seasonal vegetables and ingredients. Vibrancy is maintained, flavours are intensified and vitamins and nutrients are preserved.

Combine our FullSteam single ovens with a compact combination microwave for the perfect line up.



**B48FT78NOB**  
Slide&Hide® Single Oven with FullSteam



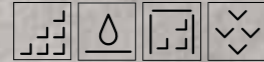
KEY FEATURES



COOKING FUNCTIONS



OVEN CLEANING



ADDITIONAL FEATURES

- ⊗ Sabbath setting
- ⊗ LED light

ACCESSORIES

- ⊗ 2 x wire shelves
- ⊗ 1 x universal pan

FullTouchControl display 5.7inch high resolution  
TFT colour graphics display



**B47FS34NOB**  
Slide&Hide® Single Oven with FullSteam



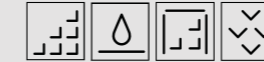
KEY FEATURES



COOKING FUNCTIONS



OVEN CLEANING



ADDITIONAL FEATURES

- ⊗ Sabbath setting
- ⊗ LED light

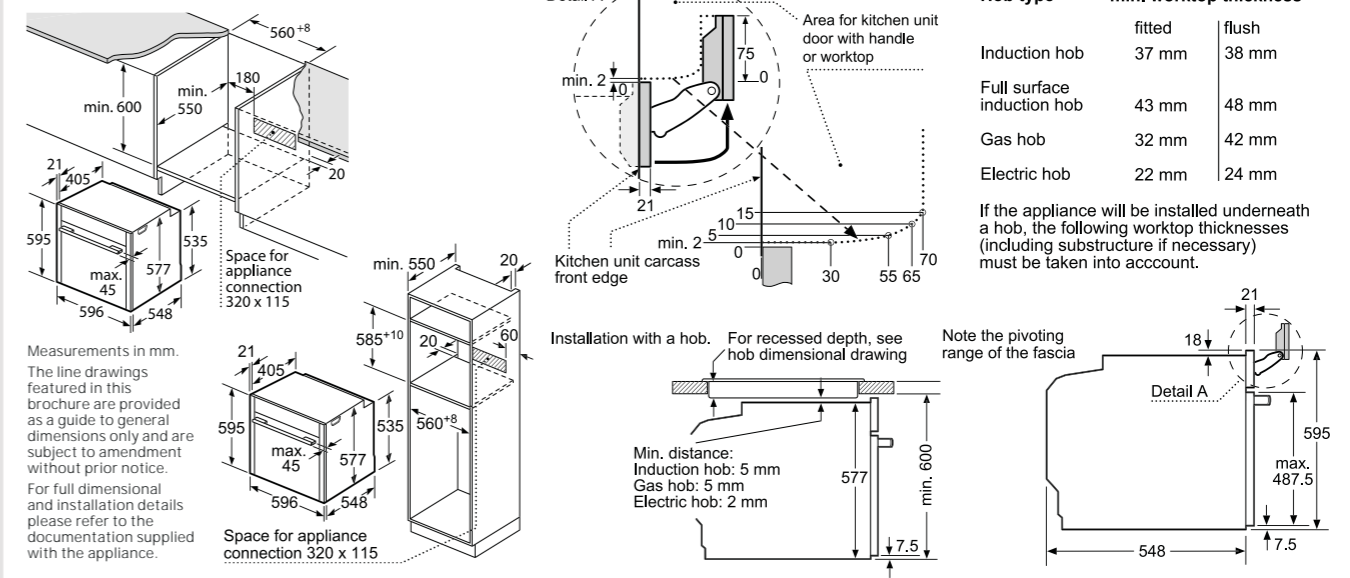
ACCESSORIES

- ⊗ 2 x wire shelves
- ⊗ 1 x universal pan

Medium ShiftControl 4.1inch high resolution  
TFT colour and graphics display



**B48FT78NOB, B47FS34NOB**



SLIDE&HIDE®  
SINGLE OVENS  
WITH FULLSTEAM

All the benefits of a steamer and a conventional oven

Our FullSteam ovens combine the heating modes of a conventional oven with those of a steam cooker. Vegetables come out fresh, vitamins are retained and flavours are beautifully intensified. Easy to operate and simple to fill via a concealed one litre container, our FullSteam ovens allow you to cook using VarioSteam® added moisture or 100% pure steam.





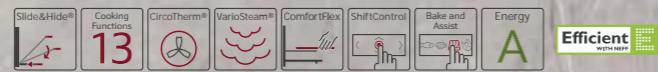
ADDED  
MOISTURE,  
ADDED  
FLAVOUR.

Cooking with VarioSteam® added moisture will revolutionise the way you create your favourite dishes. The ideal cooking setting for succulent meat, herb-encrusted fish and boulangerie style bread.

**B47VS34NOB**  
Slide&Hide® Single Oven



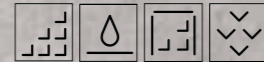
KEY FEATURES



COOKING FUNCTIONS



OVEN CLEANING



ADDITIONAL FEATURES

- ⊗ Sabbath setting
- ⊗ LED light

ACCESSORIES

- ⊗ 2 x wire shelves
- ⊗ 1 x universal pan

FullTouchControl display 5.7inch high resolution  
TFT colour graphics display



**B47VR32NOB**  
Slide&Hide® Single Oven



KEY FEATURES



COOKING FUNCTIONS



OVEN CLEANING



ADDITIONAL FEATURES

- ⊗ Sabbath setting
- ⊗ LED light

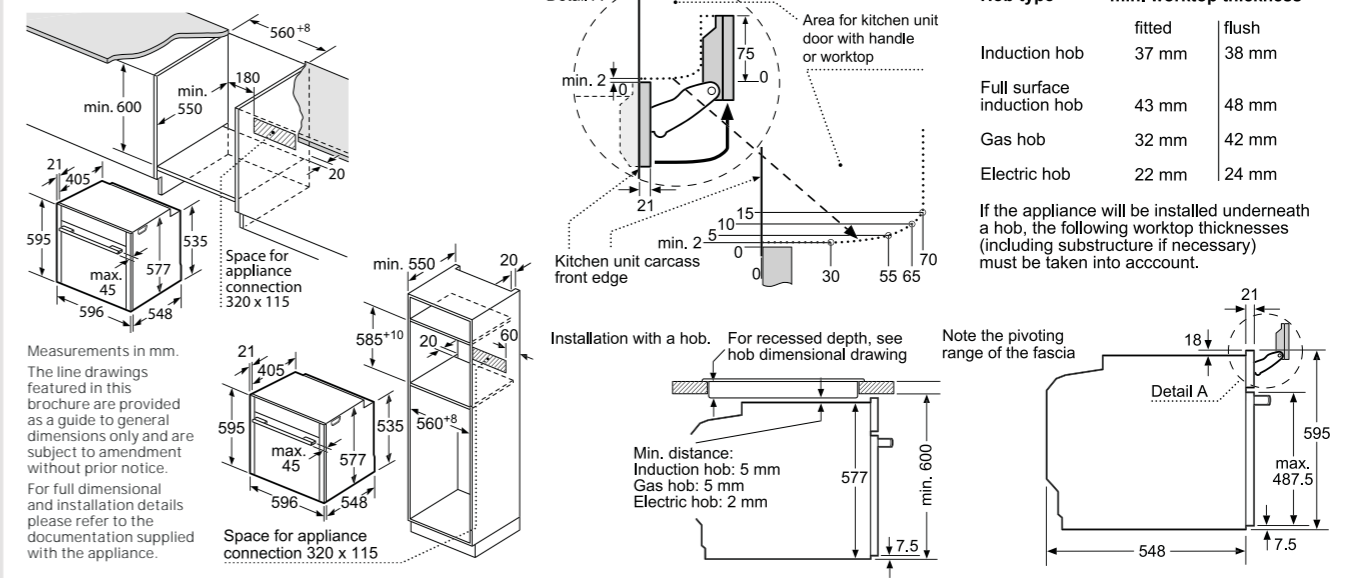
ACCESSORIES

- ⊗ 2 x wire shelves
- ⊗ 1 x universal pan

Small ShiftControl 2.5inch high resolution  
TFT colour and graphics display

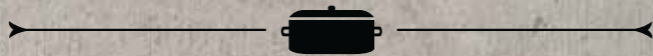


**B47VS34NOB, B47VR32NOB**



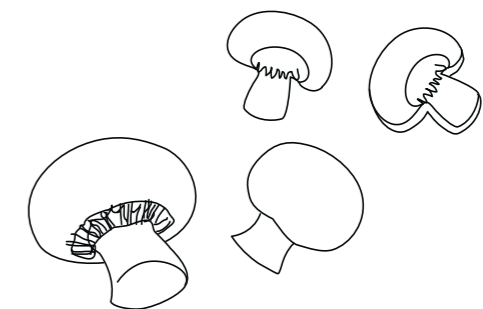
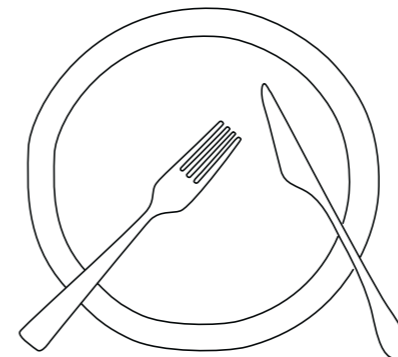
Find out about our SeamlessCombination installation options on page 16.

SLIDE&HIDE®  
SINGLE OVENS WITH  
VARIO STEAM®



Everything you need to cook up a feast

VarioSteam® enhances your dishes by allowing you to select the right steam intensity for your dish. Ideal for achieving succulent joints of meat, perfecting crusty bread and reheating previously cooked meals, our Slide&Hide® ovens with VarioSteam® offer all of the innovative features you need to cook up a feast. Designed to complement the full NEFF premium range of single ovens and compacts, operation is simple with FullTouchControl and ShiftControl options available.





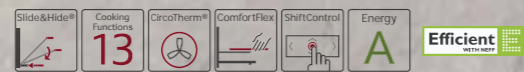
DESIGNED FOR SMALL KITCHENS WITH BIG FLAVOURS.

Our unique Slide&Hide® disappearing door is the perfect addition to a galley-style layout. Accessible, space-saving and unique to NEFF.

**B47CS34N0B**  
Slide&Hide® Single Oven



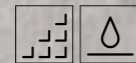
KEY FEATURES



COOKING FUNCTIONS



OVEN CLEANING



ADDITIONAL FEATURES

- ⊗ Sabbath setting
- ⊗ Interior halogen light

ACCESSORIES

- ⊗ 2 x wire shelves
- ⊗ 1 x universal pan

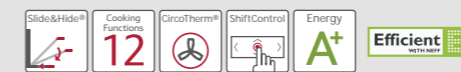
FullTouchControl display 5.7inch high resolution  
TFT colour graphics display



**B47CR32N0B**  
Slide&Hide® Single Oven



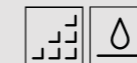
KEY FEATURES



COOKING FUNCTIONS



OVEN CLEANING



ADDITIONAL FEATURES

- ⊗ Sabbath setting
- ⊗ Interior halogen light

ACCESSORIES

- ⊗ 2 x wire shelves
- ⊗ 1 x universal pan



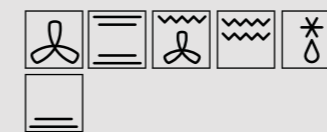
Small ShiftControl 2.5inch high resolution  
TFT colour and graphics display

**B44M42N5GB**  
Slide&Hide® Single Oven

KEY FEATURES



COOKING FUNCTIONS



OVEN CLEANING

- ⊗ CeramiClean® liners (back and roof)

ADDITIONAL FEATURES

- ⊗ QuickConnect shelf Supports
- ⊗ Interior light



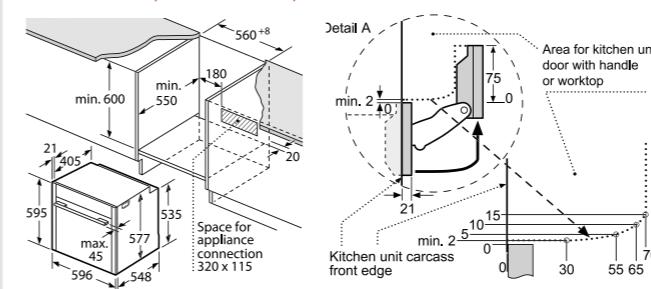
SLIDE&HIDE®  
SINGLE OVENS

The only oven with the disappearing door

Inspired by the most demanding Cookaholics, our unique Slide&Hide® disappearing oven door is designed to get passionate cooks closer to their cooking. With the Slide&Hide® door retracting smoothly under the oven cavity, there's plenty of room for maneuvering and better access to the oven interior – perfect for basting and sampling. Our CircoTherm® technology draws air in from the oven via a powerful stainless steel fan, so there's no worry of unpleasant hot air blasts when the cavity is fully exposed.



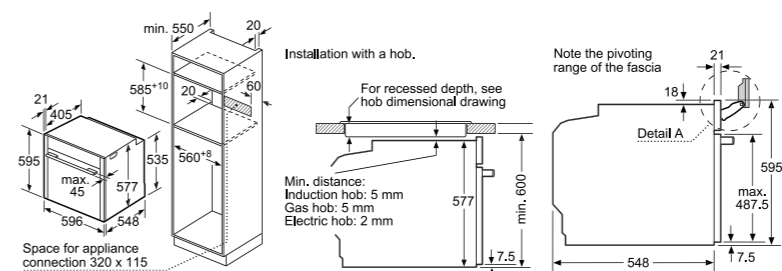
B47CS34N0B, B47CR32N0B, B44M42N5GB



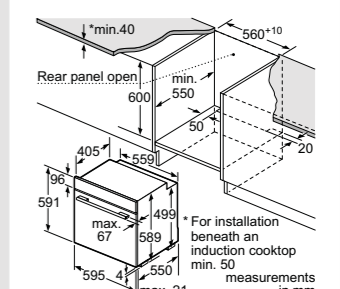
Hob type	min. worktop thickness	
	fitted	flush
Induction hob	37 mm	38 mm
Full surface induction hob	43 mm	48 mm
Gas hob	32 mm	42 mm
Electric hob	22 mm	24 mm

If the appliance will be installed underneath a hob, the following worktop thicknesses (including substructure if necessary) must be taken into account.

Measurements in mm. The line drawings featured in this brochure are provided as a guide to general dimensions only and are subject to amendment without prior notice. For full dimensional and installation details please refer to the documentation supplied with the appliance.



B44M42N5GB





# EASILY TACKLE SPATTER AND SPILLAGES.

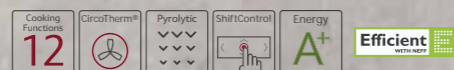
Pyrolytic cleaning is a high-temperature cleaning technique that blasts grease, spatter and spillages to ash. Once the oven has cooled and the lock mechanism is released, simply wipe away minimal residue for a sparkling clean oven.

Pyrolytic single oven with standard drop down door.

## B27CR22N1B Single Pyrolytic Oven



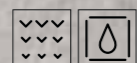
### KEY FEATURES



### COOKING FUNCTIONS



### OVEN CLEANING



### ADDITIONAL FEATURES

- ⊗ Sabbath setting
- ⊗ Interior halogen light

### ACCESSORIES

- ⊗ 2 x wire shelves
- ⊗ 1 x universal pan

Small ShiftControl 2.5inch high resolution TFT colour and graphics display



## B25CR22N1B Single Pyrolytic Oven



### KEY FEATURES



### COOKING FUNCTIONS



### OVEN CLEANING



### ADDITIONAL FEATURES

- ⊗ Sabbath setting
- ⊗ Interior halogen light

### ACCESSORIES

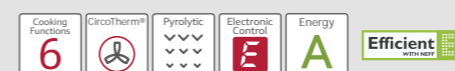
- ⊗ 2 x wire shelves
- ⊗ 1 x universal pan

Small ShiftControl 2.5inch high resolution TFT colour and graphics display

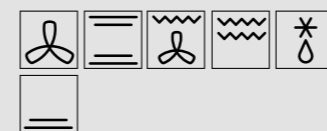


## B14P42N5GB Single Pyrolytic Oven

### KEY FEATURES



### COOKING FUNCTIONS



### OVEN CLEANING



### ADDITIONAL FEATURES

- ⊗ Operating light

### ACCESSORIES

- ⊗ 1x baking and roasting shelf cranked
- ⊗ 1 x insert grid
- ⊗ 1 x universal pan

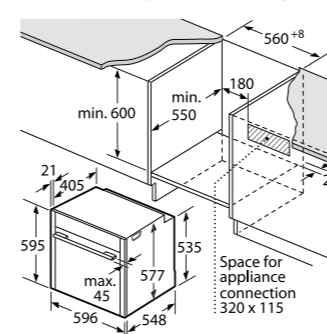


# SINGLE PYROLYTIC OVENS

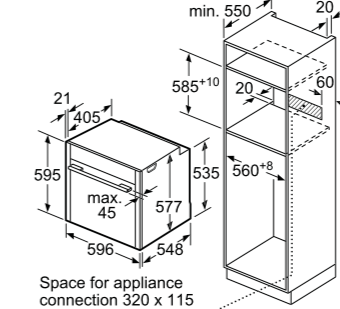
## The oven that almost cleans itself

When oven scrubbing simply isn't an option, our single pyrolytic ovens are the only choice for foodies who love to get creative in the kitchen. Those 'high-risk' foods such as sizzling grilled sausages, crispy roast potatoes and roast joints of meat needn't mean hours of manual oven cleaning – simply activate the pyrolytic self-cleaning function to tackle tough spatter and spillages. Featuring a standard drop-down door, our single pyrolytic ovens also feature the same fascia design as our Slide&Hide® range. Safely locking during the duration of the cleaning program, the door is only released once the oven has cooled to a low temperature.

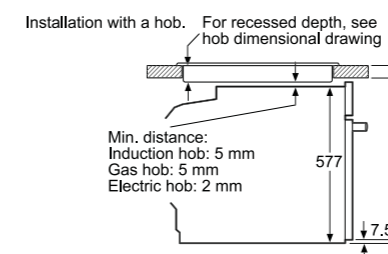
### B27CR22N1B, B25CR22N1B, B14P42N5GB



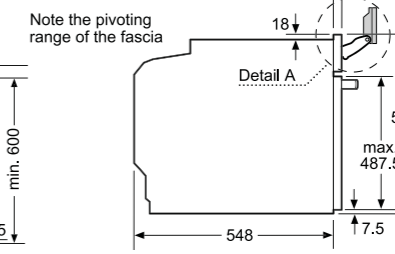
Measurements in mm. The line drawings featured in this brochure are provided as a guide to general dimensions only and are subject to amendment without prior notice. For full dimensional and installation details please refer to the documentation supplied with the appliance.



Space for appliance connection 320 x 115



Installation with a hob. For recessed depth, see hob dimensional drawing. Min. distance: Induction hob: 5 mm, Gas hob: 5 mm, Electric hob: 2 mm



Note the pivoting range of the fascia

Hob type	min. worktop thickness	
	fitted	flush
Induction hob	37 mm	38 mm
Full surface induction hob	43 mm	48 mm
Gas hob	32 mm	42 mm
Electric hob	22 mm	24 mm

If the appliance will be installed underneath a hob, the following worktop thicknesses (including substructure if necessary) must be taken into account.



# DESIGNED WITH SOCIAL DINING IN MIND.

Featuring our unique CircoTherm® technology, NEFF ovens are perfectly designed for busy family life and sociable dining. With the option to cook different dishes across all four levels without any intermingling of flavours, each course can be cooked at the same time.

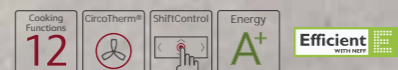
Single oven with standard drop down door.



## B17CR32N1B Single Oven



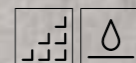
### KEY FEATURES



### COOKING FUNCTIONS



### OVEN CLEANING



### ADDITIONAL FEATURES

- Sabbath setting
- Interior halogen light

### ACCESSORIES

- 2 x wire shelves
- 1 x universal pan

Small ShiftControl 2.5inch high resolution TFT colour and graphics display



## SINGLE OVENS



### Cook a three-course meal in one go with CircoTherm®

Featuring our unique CircoTherm® technology, a NEFF oven is designed with social dining in mind. With hot air drawn in from the oven via a stainless steel fan, each shelf is effectively wrapped to ensure that there's no intermingling of flavours across individual dishes. For added convenience, it's now even possible to bake flat items such as cookies and pizza bases on level four. Our single ovens feature a standard drop down door and the same contemporary design as our Slide&Hide® range.

## B15CR32N1B Single Oven



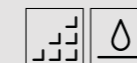
### KEY FEATURES



### COOKING FUNCTIONS



### OVEN CLEANING



### ADDITIONAL FEATURES

- Sabbath setting
- Interior halogen light

### ACCESSORIES

- 2 x wire shelves
- 1 x universal pan



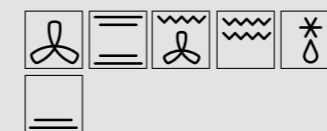
Small ShiftControl 2.5inch high resolution TFT colour and graphics display

## B14M42N5GB Single Oven

### KEY FEATURES



### COOKING FUNCTIONS



### OVEN CLEANING

- CeramiClean® liners (back)

### ADDITIONAL FEATURES

- Operating light

### ACCESSORIES

- 1x baking and roasting shelf cranked
- 1 x insert grid
- 1 x universal pan

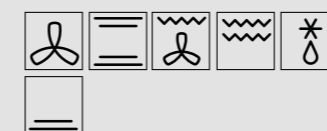


## B14M42S5GB Single Oven

### KEY FEATURES



### COOKING FUNCTIONS



### OVEN CLEANING

- CeramiClean® liners (back)

### ADDITIONAL FEATURES

- Operating light

### ACCESSORIES

- 1x baking and roasting shelf cranked
- 1 x insert grid
- 1 x universal pan



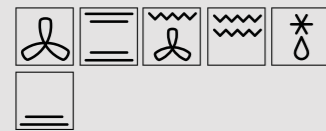


**B14M42W5GB**  
Single Oven

**KEY FEATURES**



**COOKING FUNCTIONS**



**OVEN CLEANING**

- CeramiClean® liners (back)

**ADDITIONAL FEATURES**

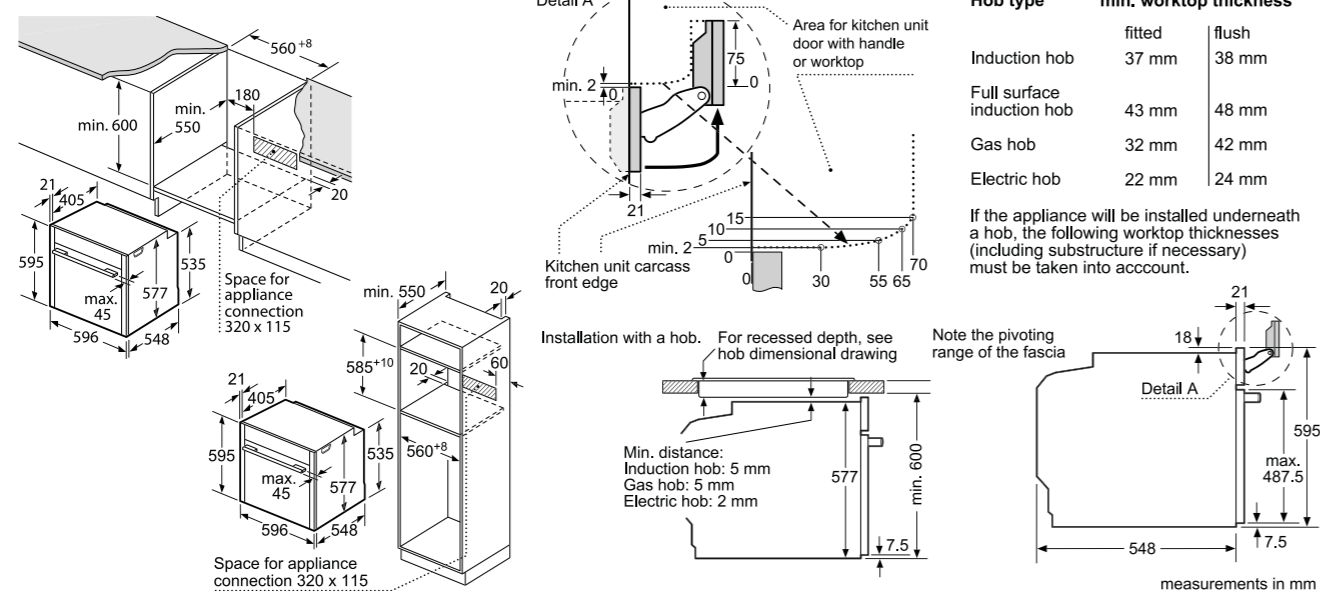
- Operating light

**ACCESSORIES**

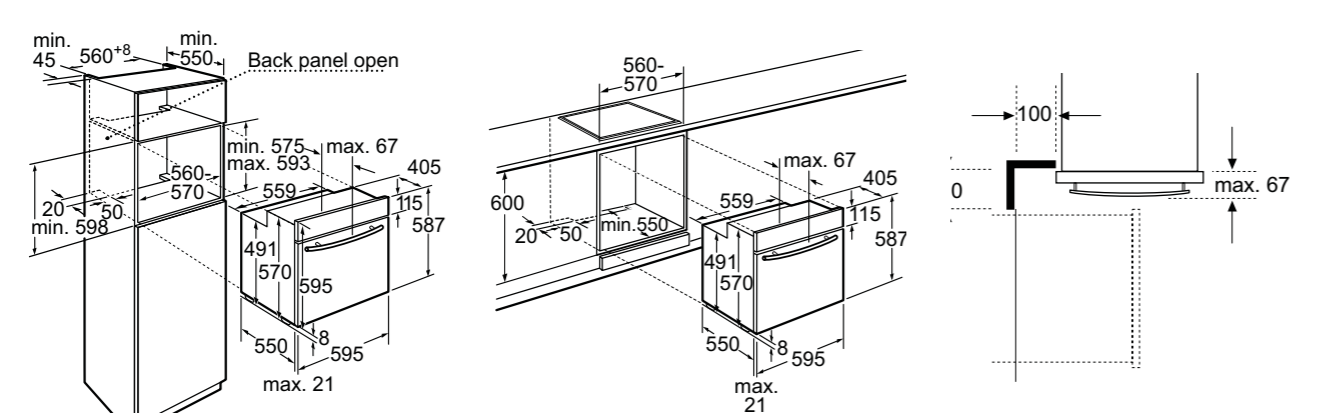
- 1x baking and roasting shelf cranked
- 1 x insert grid
- 1 x universal pan



**B17CR32N1B, B15CR32N1B**



**B14M42N5GB, B14M42S5GB, B14M42W5GB**



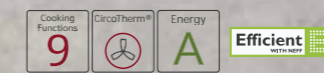
For detailed specification on this model go to page 46.

**U16E74N5GB**  
Built-in double oven

**CLASSIC COLLECTION**

**TOP OVEN**

**KEY FEATURES**



**COOKING FUNCTIONS**



**OVEN CLEANING**

- CeramiClean® liners (back, roof and sides)

**MAIN OVEN**

**KEY FEATURES**



**COOKING FUNCTIONS**



**NEW LOOK, SAME GREAT PERFORMANCE**

With the convenience of two oven cavities, our built-in double ovens provide plenty of cooking space without impacting on kitchen space. With a new-look black fascia, the range beautifully complements NEFF compact appliances placed elsewhere in the kitchen.



**BUILT-IN DOUBLE OVENS**

**The versatility of two cavities**

Our double ovens are the ideal choice for Cookaholics who prefer the versatility of two ovens. Sitting seamlessly within your furniture, kitchen space is maximized without sacrificing the extra cavity space which comes inherently with a NEFF double oven. Featuring NEFF's CircoTherm® technology in the main oven, it's possible to cook different dishes on different levels without any intermingling of flavours.

For detailed specification on this model go to page 50.



**U15E52N5GB**  
Built-in double oven

CLASSIC COLLECTION

**TOP OVEN**  
KEY FEATURES



COOKING FUNCTIONS



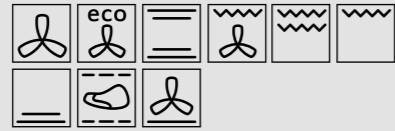
OVEN CLEANING

- CeramiClean® liners (back, roof and sides)

**MAIN OVEN**  
KEY FEATURES



COOKING FUNCTIONS



ADDITIONAL FEATURES

- EasyClock (Main Oven)
- Interior lights



**U14M42S5GB**  
Built-in double oven

CLASSIC COLLECTION

**TOP OVEN**  
KEY FEATURES



COOKING FUNCTIONS



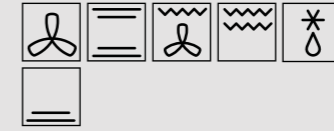
OVEN CLEANING

- CeramiClean® liners (back, roof and sides)

**MAIN OVEN**  
KEY FEATURES



COOKING FUNCTIONS



ADDITIONAL FEATURES

- Interior lights



**U15E52S5GB**  
Built-in double oven

CLASSIC COLLECTION

**TOP OVEN**  
KEY FEATURES



COOKING FUNCTIONS



OVEN CLEANING

- CeramiClean® liners (back, roof and sides)

**MAIN OVEN**  
KEY FEATURES



COOKING FUNCTIONS



ADDITIONAL FEATURES

- EasyClock (Main Oven)
- Interior lights



**U14M42W5GB**  
Built-in double oven

CLASSIC COLLECTION

**TOP OVEN**  
KEY FEATURES



COOKING FUNCTIONS



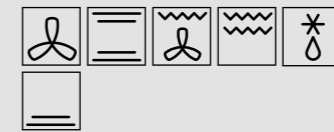
OVEN CLEANING

- CeramiClean® liners (back, roof and sides)

**MAIN OVEN**  
KEY FEATURES



COOKING FUNCTIONS



ADDITIONAL FEATURES

- Interior lights



**U14M42N5GB**  
Built-in double oven

CLASSIC COLLECTION

**TOP OVEN**  
KEY FEATURES



COOKING FUNCTIONS



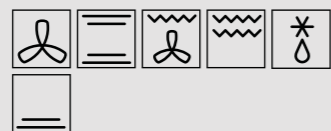
OVEN CLEANING

- CeramiClean® liners (back, roof and sides)

**MAIN OVEN**  
KEY FEATURES



COOKING FUNCTIONS



ADDITIONAL FEATURES

- Interior lights



**U14S32N5GB**  
Built-in double oven

CLASSIC COLLECTION

**TOP OVEN**  
KEY FEATURES



COOKING FUNCTIONS



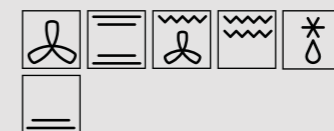
OVEN CLEANING

- Self-clean roof liner (top oven)
- Self-clean back liner (main oven)

**MAIN OVEN**  
KEY FEATURES



COOKING FUNCTIONS



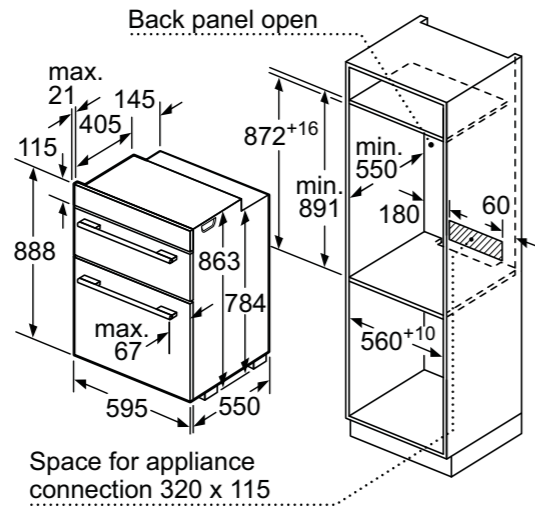
ADDITIONAL FEATURES

- Interior lights



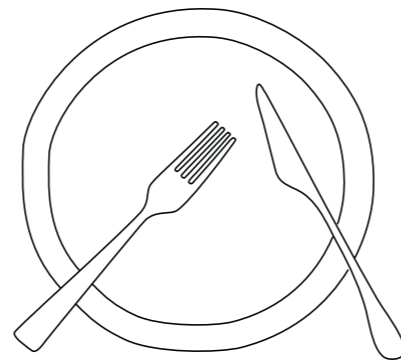
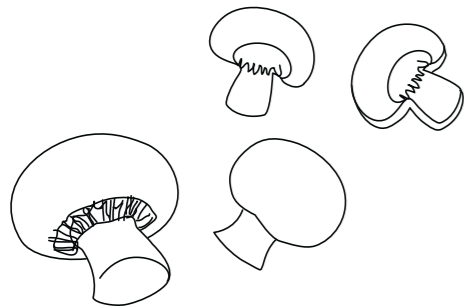
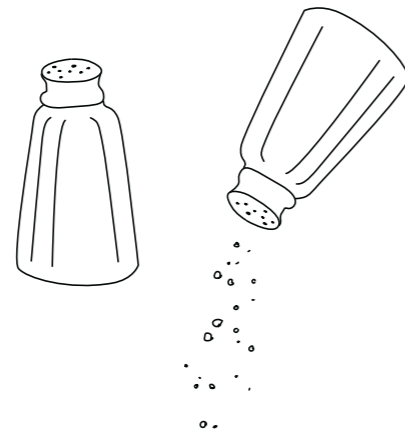


U16E74N5GB, U15E52N5GB,  
U15E52S5GB, U14M42N5GB,  
U14M42S5GB, U14M42W5GB,  
U14S32N5GB



Measurements in mm.  
The line drawings featured in this brochure are provided as a guide to general dimensions only and are subject to amendment without prior notice.  
For full dimensional and installation details please refer to the documentation supplied with the appliance.

Space for appliance connection 320 x 115



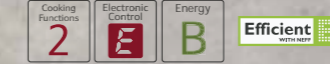
# EXTRA SPACE WHEN YOU NEED IT MOST.

With the benefit of two oven cavities, a NEFF double oven is the ideal choice for busy family life. Featuring a new and improved fascia design, our double ovens are designed to complement other appliances in the NEFF range.

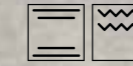
U17M42N5GB  
Built under double oven

CLASSIC COLLECTION

## TOP OVEN KEY FEATURES



## COOKING FUNCTIONS



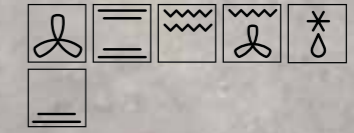
## OVEN CLEANING

● CeramiClean® liners (back, roof and sides)

## MAIN OVEN KEY FEATURES



## COOKING FUNCTIONS



## ADDITIONAL FEATURES

● Triple glazed door  
● Interior lights



# BUILT UNDER DOUBLE OVENS

## Double Ovens Built Under

When additional cooking space is needed in your kitchen, our double ovens remain a popular choice with cooks who prefer a single built-in solution. Featuring a main oven with our unique CircoTherm® forced air cooking, it's possible to cook different dishes across all four levels without any intermingling of flavours. With a new fascia design, our built under double ovens have been restyled to bring them in line with premium NEFF single ovens and appliances.



For detailed specification on this model go to page 53.

THE NEFF OVEN COLLECTIONS

HOBBS

VENTILATION

REFRIGERATION

DISHWASHING

LAUNDRY



**U17M42S5GB**  
Built under double oven

CLASSIC COLLECTION

**TOP OVEN**  
KEY FEATURES



COOKING FUNCTIONS



OVEN CLEANING

- CeramiClean® liners (back, roof and sides)

**MAIN OVEN**  
KEY FEATURES



COOKING FUNCTIONS

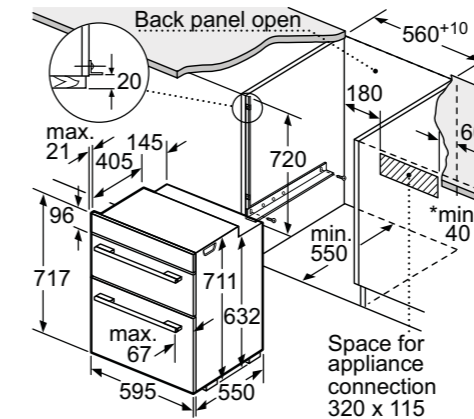


ADDITIONAL FEATURES

- Triple glazed door
- Interior lights

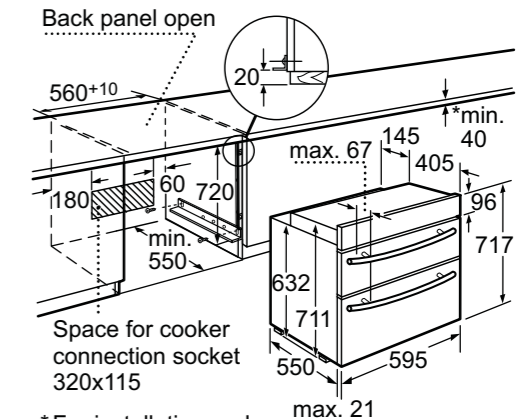


U17M42N5GB, U17M42S5GB,  
U17M42W5GB, U17S32N5GB



Measurements in mm.  
The line drawings featured in this brochure are provided as a guide to general dimensions only and are subject to amendment without prior notice.  
For full dimensional and installation details please refer to the documentation supplied with the appliance.

\* For installation under an induction hob, min. 50



\* For installation under an induction hob, min. 50 mm

**U17M42W5GB**  
Built under double oven

CLASSIC COLLECTION

**TOP OVEN**  
KEY FEATURES



COOKING FUNCTIONS



OVEN CLEANING

- CeramiClean® liners (back, roof and sides)

**MAIN OVEN**  
KEY FEATURES

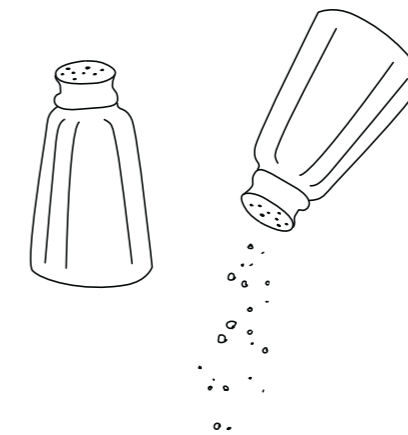


COOKING FUNCTIONS



ADDITIONAL FEATURES

- Triple glazed door
- Interior lights



**U17S32N5GB**  
Built under double oven

CLASSIC COLLECTION

**TOP OVEN**  
KEY FEATURES



COOKING FUNCTIONS



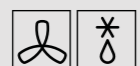
OVEN CLEANING

- CeramiClean® liners (back, roof and sides)

**MAIN OVEN**  
KEY FEATURES



COOKING FUNCTIONS



ADDITIONAL FEATURES

- EasyClock
- Interior lights





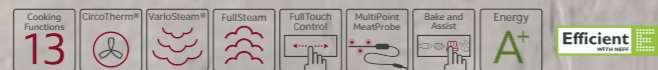
# PACKED WITH CLEVER FEATURES.

Small yet mighty, our compact ovens offer the same innovative cooking functions as our single ovens. Seamlessly coordinating with our oven range, a FullSteam solution creates the ultimate cooking station.

## C18FT56NOB Compact oven with FullSteam



### KEY FEATURES

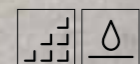


### COOKING FUNCTIONS



FullTouchControl display 5.7inch high resolution  
TFT colour graphics display

### OVEN CLEANING



### ADDITIONAL FEATURES

- Sabbath setting
- LED light

### ACCESSORIES

- 1 x wire shelf
- 1 x Steam container punched size XL
- 1 x Steam container punched size S
- 1 x Steam container unpunched size S
- 1 x universal pan



## C17FS32NOB Compact oven with FullSteam



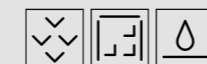
### KEY FEATURES



### COOKING FUNCTIONS



### OVEN CLEANING



### ADDITIONAL FEATURES

- Sabbath setting
- LED light

### ACCESSORIES

- 1 x wire rack
- 1 x Steam container punched size XL
- 1 x Steam container punched size S
- 1 x Steam container unpunched size S
- 1 x universal pan



Medium ShiftControl 4.1inch high resolution  
TFT colour and graphics display

## C17DR02NOB Compact steam oven



### KEY FEATURES



### COOKING FUNCTIONS



### OVEN CLEANING



### ADDITIONAL FEATURES

- 20 automatic programmes
- Interior light

### ACCESSORIES

- 1 x Steam container punched size L
- 1 x Steam container unpunched size L
- 1 x sponge



Small ShiftControl 2.5inch high resolution  
TFT colour and graphics display

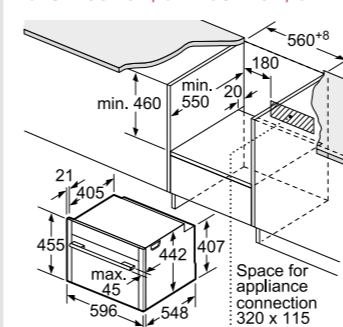
# COMPACT OVENS WITH FULLSTEAM

## Perfect for health conscious Cookaholics

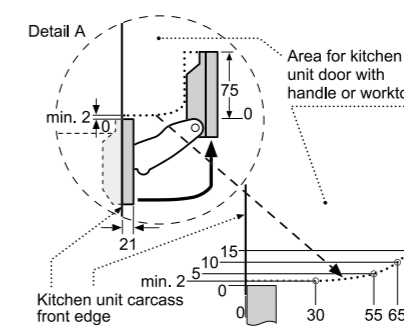
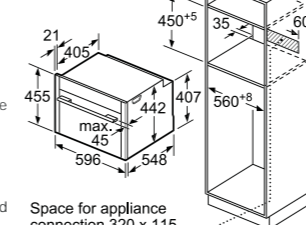
Our compact FullSteam ovens are the ideal choice for cooks who love to prepare fresh, seasonal produce. As well as sealing in all the vitamin and mineral content in food, steam cooking preserves flavours, ensuring that less salt and oil additives are needed. Designed to seamlessly coordinate with our Premium Slide&Hide® ovens range, SeamlessCombination mounting kits allow you to 'mix and match' your own sleek and stylish appliance wall.



### C18FT56NOB, C17FS32NOB, C17DR02NOB



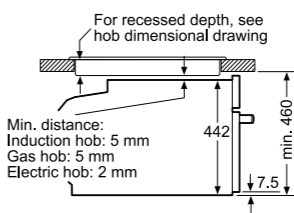
Measurements in mm. The line drawings featured in this brochure are provided as a guide to general dimensions only and are subject to amendment without prior notice. For full dimensional and installation details please refer to the documentation supplied with the appliance.



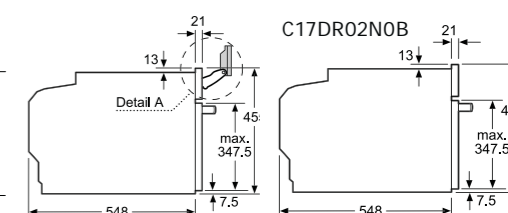
Hob type	min. worktop thickness	
	fitted	flush
Induction hob	42 mm	43 mm
Full surface induction hob	48 mm	53 mm
Gas hob	37 mm	47 mm
Electric hob	28 mm	30 mm

If the compact appliance will be installed underneath a hob, the following worktop thicknesses (including substructure if necessary) must be taken into account.

### Installation with a hob.



### Note the pivoting range of the fascia.





# FAST FOOD NEVER LOOKED SO GOOD

Invaluable in any Cookaholics' kitchen, our compact ovens with microwave functionality cook your favourite dishes in a fraction of the time. Coordinate with our premium collection single ovens for the ultimate integrated effect.

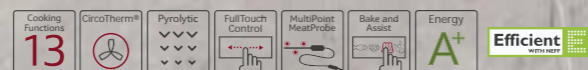
Combine with a VarioSteam® or FullSteam single oven for limitless cooking options



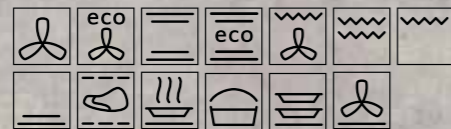
## C28MT27NOB Compact oven with microwave



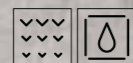
### KEY FEATURES



### COOKING FUNCTIONS



### OVEN CLEANING



### ADDITIONAL FEATURES

- Sabbath setting
- LED light

### ACCESSORIES

- 2 x wire shelves
- 1 x universal pan

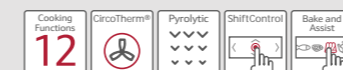
FullTouchControl display 5.7inch high resolution  
TFT colour graphics display



## C27MS22NOB Compact oven with microwave



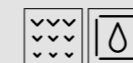
### KEY FEATURES



### COOKING FUNCTIONS



### OVEN CLEANING



### ADDITIONAL FEATURES

- Sabbath setting
- LED light

### ACCESSORIES

- 1 x wire rack
- 1 x universal pan

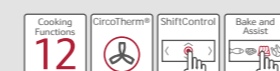


Medium ShiftControl 4.1inch high resolution  
TFT colour and graphics display

## C17MS32NOB Compact oven with microwave



### KEY FEATURES



### COOKING FUNCTIONS



### OVEN CLEANING



### ADDITIONAL FEATURES

- Sabbath setting
- LED light

### ACCESSORIES

- 2 x wire shelves
- 1 x universal pan



Medium ShiftControl 4.1inch high resolution  
TFT colour and graphics display

## C17MR02NOB Compact oven with microwave



### KEY FEATURES



### COOKING FUNCTIONS



### ADDITIONAL FEATURES

- LED light

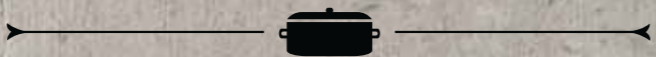
### ACCESSORIES

- 1x combination grid
- 1 x universal pan



Small ShiftControl 2.5inch high resolution  
TFT colour and graphics display

## COMPACT OVENS WITH MICROWAVE



### Delicious results in rapid time

Designed to offer the ultimate flexibility, a compact oven with microwave functionality combines the benefits of conventional oven cooking and microwave cooking. Food is cooked quickly and dishes which benefit from oven baking/roasting are left beautifully fluffy on the inside and crisp on the outside.



**C17UR02NOB**  
Compact microwave



**KEY FEATURES**

Functions **5** | FullTouch Control | Maximum Microwave Power (W) **900** | Capacity (Litres) **36**



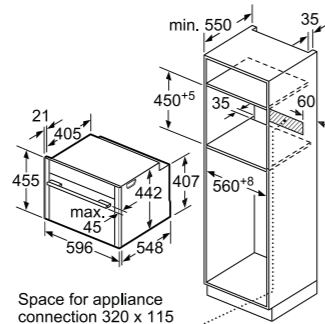
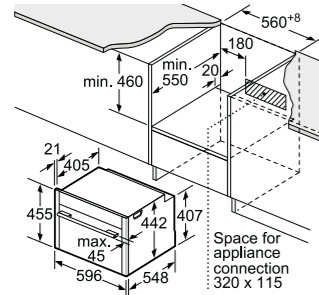
- ADDITIONAL FEATURES**
- LED light
  - Adjustable child lock

- ACCESSORIES**
- Glass pan

**DIMENSIONS (mm) (HxWxD)**  
455 x 596 x 545

Small TouchControl 2.5inch high resolution TFT colour and graphics display

**C28MT27NOB, C27MS22NOB, C17MS32NOB, C17MR02NOB, C17UR02NOB**

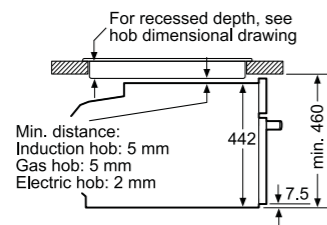


Hob type	min. worktop thickness	
	fitted	flush
Induction hob	42 mm	43 mm
Full surface induction hob	48 mm	53 mm
Gas hob	37 mm	47 mm
Electric hob	28 mm	30 mm

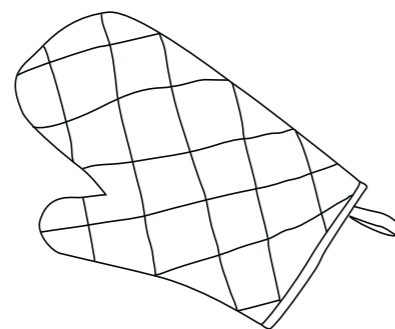
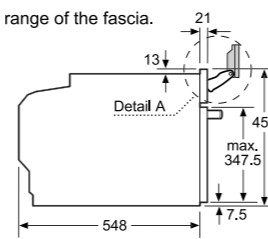
If the compact appliance will be installed underneath a hob, the following worktop thicknesses (including substructure if necessary) must be taken into account.

Measurements in mm. The line drawings featured in this brochure are provided as a guide to general dimensions only and are subject to amendment without prior notice. For full dimensional and installation details please refer to the documentation supplied with the appliance.

Installation with a hob.



Note the pivoting range of the fascia.



**SMALL OVENS,  
BIG IDEAS**

Our compact ovens provide all of the innovative features you'd expect from a NEFF single oven. With CircoTherm® as standard and pyrolytic cleaning available with selected models, our small ovens still have big ideas.

**C28CT26NOB**  
Compact oven



**KEY FEATURES**

Cooking Functions **15** | CircoTherm® | Pyrolytic | FullTouch Control | MultiPoint MeatProbe | Bake and Assist | Energy **A+** | Efficient

**COOKING FUNCTIONS**



**OVEN CLEANING**



- ADDITIONAL FEATURES**
- Sabbath setting
  - LED light

- ACCESSORIES**
- 1 x enamel baking tray
  - 1 x wire shelf
  - 1 x universal pan

FullTouchControl display 5.7inch high resolution TFT colour graphics display



Find out more about our warming drawers on page 68.



**COMPACT OVENS**

Designed to seamlessly coordinate

Offering additional cavity space and a host of innovative features, our compact ovens are designed to sit seamlessly with our full size Premium Collection single ovens. With CircoTherm® available as standard, multiple dishes can be cooked simultaneously without any intermingling of flavours – perfect when you're cooking for friends and family. Prefer a cooking station that's all your own? Combine with our warming drawers to create the ultimate appliance wall.



**C27CS22NOB**  
Compact oven



**KEY FEATURES**



**COOKING FUNCTIONS**



**OVEN CLEANING**



**ADDITIONAL FEATURES**

- Sabbath setting
- Interior halogen light

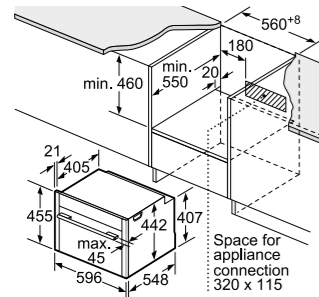
**ACCESSORIES**

- 2 x wire shelves
- 1 x combination grid

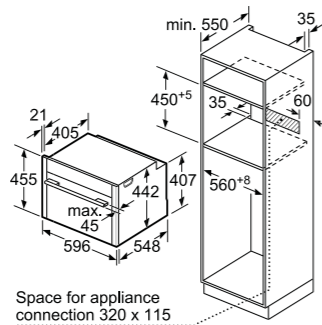


Medium ShiftControl 4.1inch high resolution  
TFT colour and graphics display

**C28CT26NOB, C27CS22NOB**



Measurements in mm.  
The line drawings featured in this brochure are provided as a guide to general dimensions only and are subject to amendment without prior notice.  
For full dimensional and installation details please refer to the documentation supplied with the appliance.

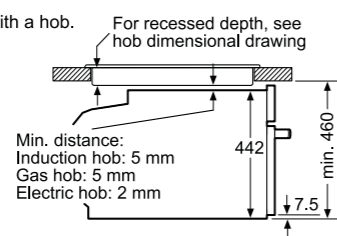


**Hob type min. worktop thickness**

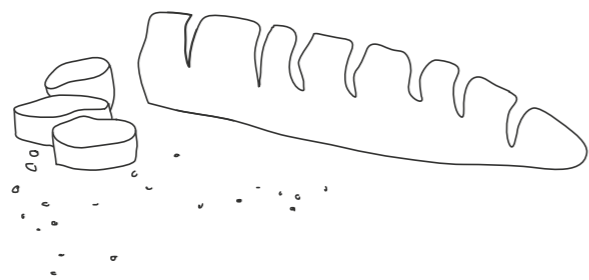
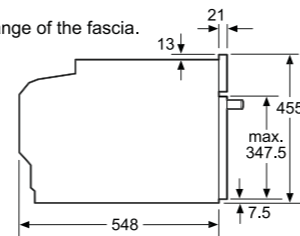
Hob type	min. worktop thickness	flush
Induction hob	42 mm	43 mm
Full surface induction hob	48 mm	53 mm
Gas hob	37 mm	47 mm
Electric hob	28 mm	30 mm

If the compact appliance will be installed underneath a hob, the following worktop thicknesses (including substructure if necessary) must be taken into account.

**Installation with a hob.**



**Note the pivoting range of the fascia.**



**C17GR00NOB**  
Compact microwave oven



**KEY FEATURES**



**SPECIAL FEATURES**

- TFT colour display
- InnoWave technology for more even cooking results
- 2 main functions
  - Microwave
  - Quartz grill

**ADDITIONAL FEATURES**

- LED light
- EasyClock
- Left hinged door

# A HELPING HAND IN THE KITCHEN

We never underestimate the convenience of a microwave. Designed to complement with our premium collection single ovens, it's easy to create a cooking station which perfectly meets your needs.



## COMPACT MICROWAVE OVENS

Style and convenience built-in

Invaluable for quick and easy heating, many NEFF customers consider a microwave oven to be an essential kitchen companion.



**C17GR01NOB**  
Compact microwave oven



**KEY FEATURES**

Cooking Functions <b>2</b>	ShiftControl 	Maximum Microwave Power (W) <b>900</b>	Number of Power Levels <b>5</b>	Automatic Programmes <b>10</b>	Capacity (Litres) <b>21</b>
-------------------------------	------------------	---	------------------------------------	-----------------------------------	--------------------------------

**SPECIAL FEATURES**

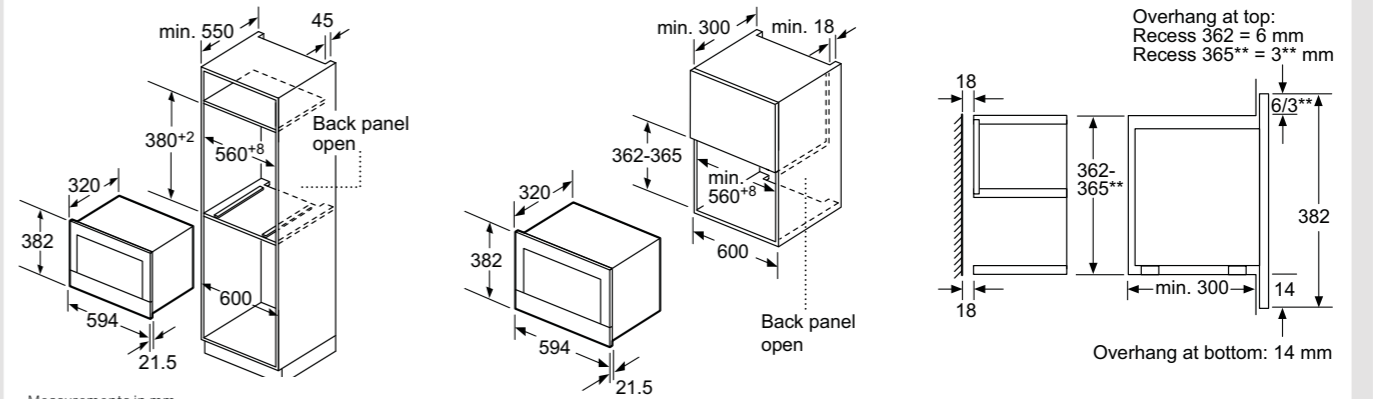
- TFT colour display
- InnoWave technology for more even cooking results
- 2 main functions
  - Microwave
  - Quartz grill

**ADDITIONAL FEATURES**

- LED light
- EasyClock
- Left hinged door



**C17GR00NOB, C17GR01NOB,  
C17WR00NOB, C17WR01NOB**



Measurements in mm.  
The line drawings featured in this brochure are provided as a guide to general dimensions only and are subject to amendment without prior notice.  
For full dimensional and installation details please refer to the documentation supplied with the appliance.

**C17WR00NOB**  
Compact microwave oven



**KEY FEATURES**

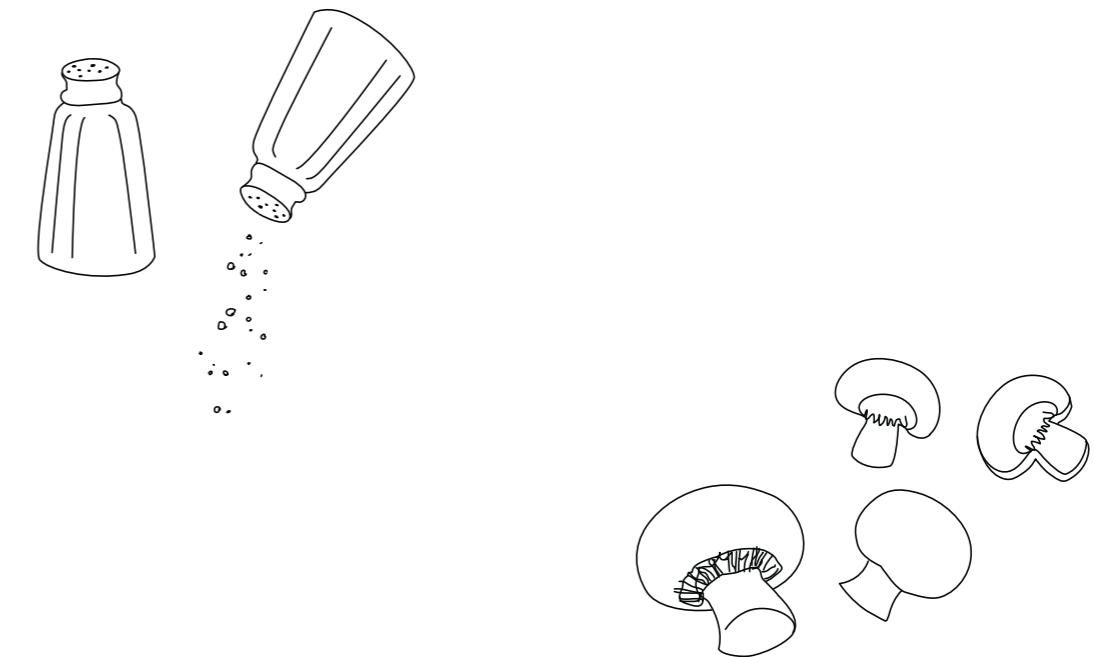
Cooking Functions <b>1</b>	ShiftControl 	Maximum Microwave Power (W) <b>900</b>	Number of Power Levels <b>5</b>	Automatic Programmes <b>7</b>	Capacity (Litres) <b>21</b>
-------------------------------	------------------	---	------------------------------------	----------------------------------	--------------------------------

**SPECIAL FEATURES**

- TFT colour display
- InnoWave technology for more even cooking results
- 2 main functions
  - Microwave

**ADDITIONAL FEATURES**

- LED light
- EasyClock
- Left hinged door



**C17WR01NOB**  
Compact microwave oven



**KEY FEATURES**

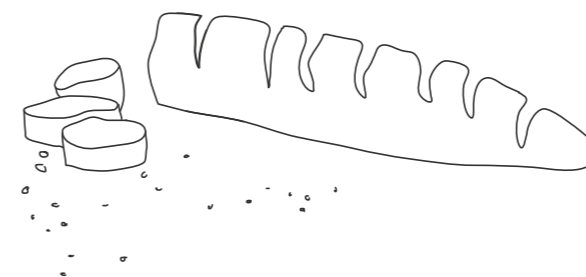
Cooking Functions <b>1</b>	ShiftControl 	Maximum Microwave Power (W) <b>900</b>	Number of Power Levels <b>5</b>	Automatic Programmes <b>7</b>	Capacity (Litres) <b>21</b>
-------------------------------	------------------	---	------------------------------------	----------------------------------	--------------------------------

**SPECIAL FEATURES**

- TFT colour display
- InnoWave technology for more even cooking results
- 2 main functions
  - Microwave

**ADDITIONAL FEATURES**

- LED light
- EasyClock
- Left hinged door





# A TRUE KITCHEN MUST-HAVE

Designed to sit within your kitchen cabinetry, a NEFF microwave oven is an essential addition to any busy kitchen.

**H12GE60NOG**  
Microwave oven

ALSO AVAILABLE: **H12GE60SOG**  
(Black)

### KEY FEATURES

Cooking Functions	Electronic Control	Maximum Microwave Power (W)	Number of Power Levels	Automatic Programmes	Capacity (Litres)
2	E	900	5	8	25

### ADDITIONAL FEATURES

- 1 recipe memory position
- EasyClock
- Silver display
- Left hinged door
- 31.5cm glass turntable
- Can be installed in tall housing



## MICROWAVE OVENS



**Invaluable in any kitchen**

From heating soups and liquids to defrosting previously cooked food, microwave cooking is the go-to choice for many of us. NEFF microwaves provide all of the settings and power levels you need to prepare a variety of popular dishes. Designed to be installed within your kitchen cabinetry or within a tall housing unit, it's easy to achieve a contemporary, stylish finish.



**H12WE60NOG**  
Microwave ovens

ALSO AVAILABLE: **H12WE60SOG** (Black) **H12WE60WOG** (White)

### KEY FEATURES

Cooking Functions	Electronic Control	Maximum Microwave Power (W)	Number of Power Levels	Automatic Programmes	Capacity (Litres)
2	E	900	5	7	25

### ADDITIONAL FEATURES

- 1 recipe memory position
- EasyClock
- Silver display
- Left hinged door
- 31.5cm glass turntable
- Can be installed in tall housing



**H11WE60NOG**  
Microwave ovens

ALSO AVAILABLE: **H11WE60SOG** (Black)

### KEY FEATURES

Cooking Functions	Electronic Control	Maximum Microwave Power (W)	Number of Power Levels	Automatic Programmes	Capacity (Litres)
2	E	900	5	7	20

### ADDITIONAL FEATURES

- 1 recipe memory position
- EasyClock
- Silver display
- Left hinged door
- Can be installed in tall housing



**H53W50N3GB**  
Microwave ovens

ALSO AVAILABLE: **H53W50S3GB** (Black)

### KEY FEATURES

Cooking Functions	Electronic Control	Maximum Microwave Power (W)	Number of Power Levels	Automatic Programmes	Defrost Functions	Capacity (Litres)
2	E	800	5	7	4	17

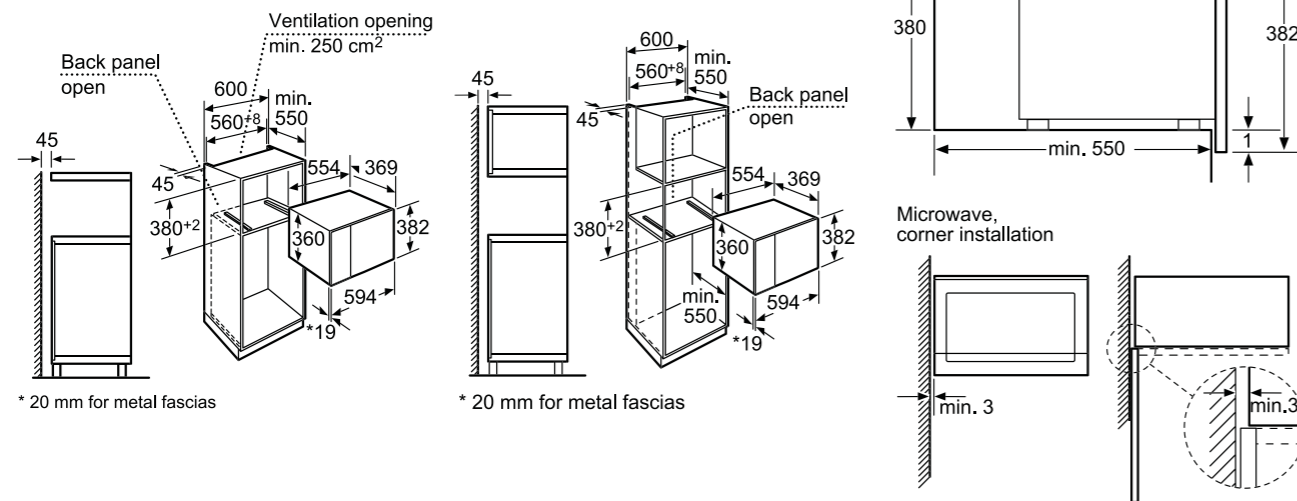
### ADDITIONAL FEATURES

- 1 recipe memory position
- EasyClock
- Silver display
- Left hinged door
- Can be installed in wall unit 50cm wide

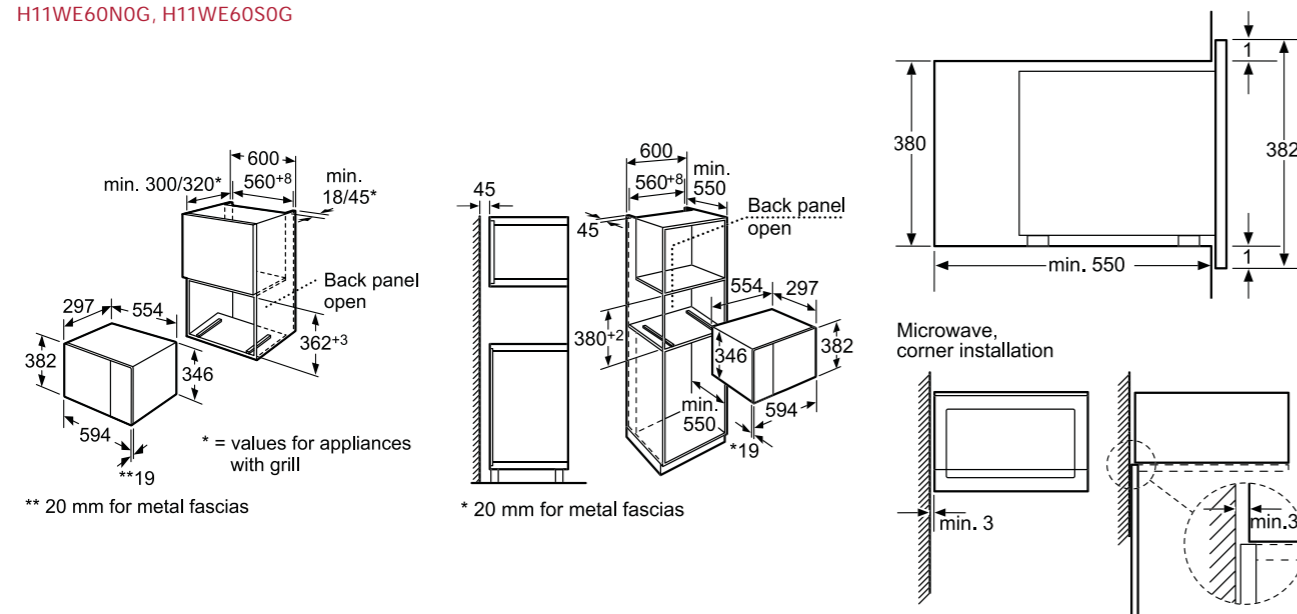




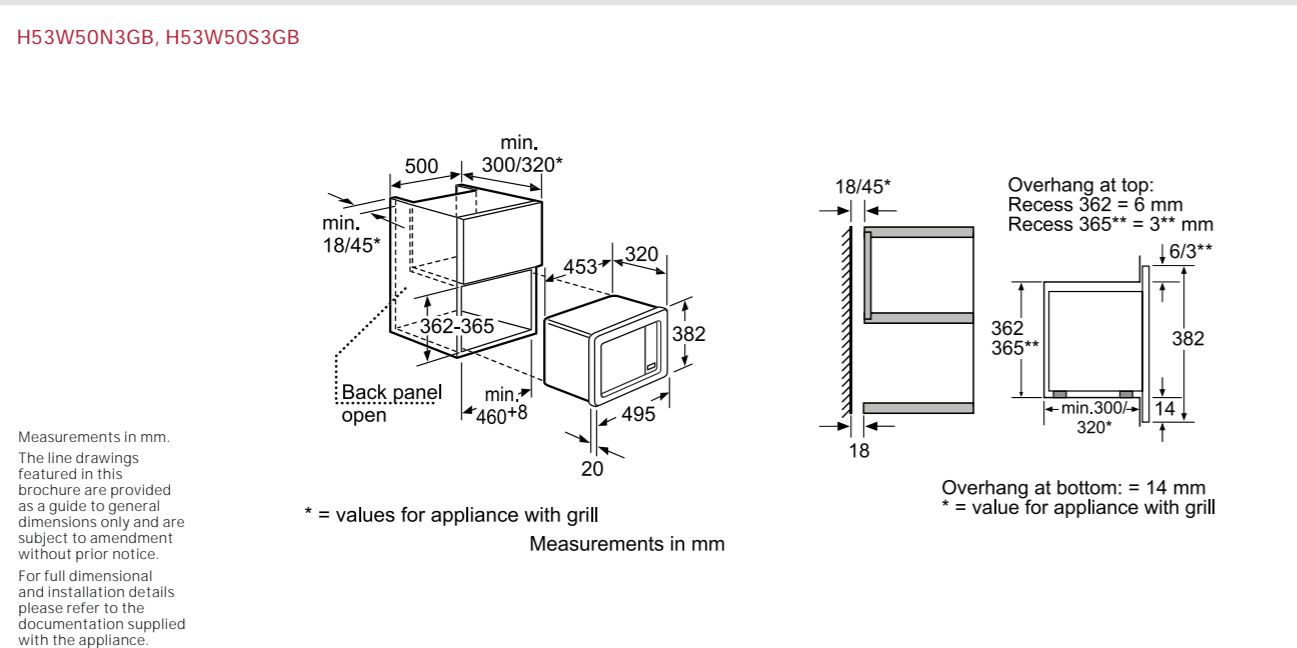
H12GE60NOG, H12GE60SOG,  
H12WE60NOG, H12WE60SOG,  
H12WE60W0G



H11WE60NOG, H11WE60SOG



H53W50N3GB, H53W50S3GB





# THE PERFECT KITCHEN ASSISTANT

Invaluable in any serious kitchen, our warming drawers help at every stage of the cooking process. Ideal for proving, melting, defrosting and keeping cooked meals and crockery warm, our warming drawers perfectly sit below our Premium Collection single and compact ovens.

Look on page 24 to see how you can integrate a warming drawer into your kitchen design

## N17HH20N0B Warming Drawer



### KEY FEATURES



### SPECIAL FEATURES

- Food warming and defrosting (3 settings)
- Cookware and utensil warming (1 setting)
- Can accommodate up to:
  - 40 plates
  - 192 espresso cups
- Temperature control in 4 levels: ca. 40°C – 80°C (glass surface temperature)
- Easy to clean heated ceramic glass base
- Weight capacity 25kg

### DESIGN

- Push-Pull opening mechanism



## WARMING DRAWERS

### Integrated convenience

With our 29cm warming drawer holding up to 40 plates, a larger-size warming drawer is ideal for cooks who regularly entertain family and friends. If a slimmer version is more in-keeping with your space, our 14cm drawers also offer an impressive 12 plate capacity. With the option to melt chocolate, prove bread and keep your meals warm before serving, our warming drawers assist from prep to table.

## N17HH10N0B Warming Drawer



### KEY FEATURES



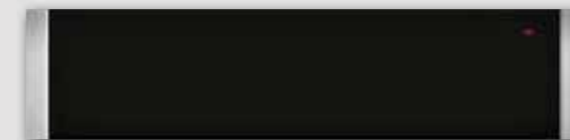
### SPECIAL FEATURES

- Food warming and defrosting (3 settings)
- Cookware and utensil warming (1 setting)
- Can accommodate up to:
  - 12 plates
  - 64 espresso cups
- Temperature control in 4 levels: ca. 40°C – 80°C (glass surface temperature)
- Easy to clean heated ceramic glass base
- Weight capacity 25kg

### DESIGN

- Push-Pull opening mechanism

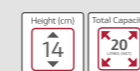
Combine with a single or compact oven



## N17HH11N0B Warming Drawer



### KEY FEATURES



### SPECIAL FEATURES

- Food warming and defrosting (3 settings)
- Cookware and utensil warming (1 setting)
- Can accommodate up to:
  - 12 plates
  - 64 espresso cups
- Temperature control in 4 levels: ca. 40°C – 80°C (glass surface temperature)
- Easy to clean heated ceramic glass base

### DESIGN

- Bar handle

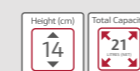
Combine with a single or compact oven



## N17ZH10N0 Accessory Drawer



### KEY FEATURES



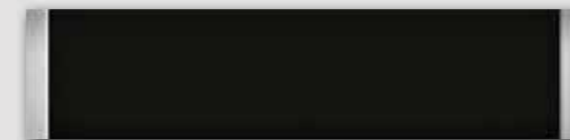
### SPECIAL FEATURES

- Ideal for storage of oven accessories
- Can accommodate up to:
  - 14 plates
  - 64 espresso cups
- Weight capacity 15kg

### DESIGN

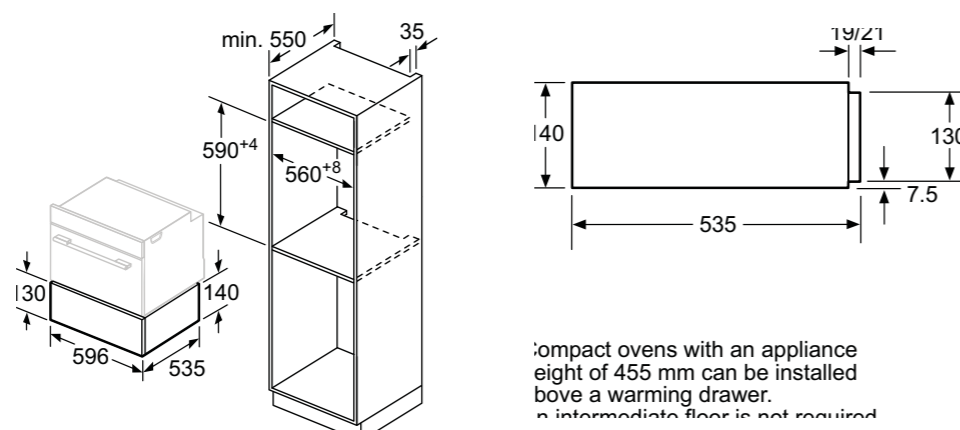
- Push-Pull opening mechanism

Combine with a single or compact oven





N17HH20NOB, N17HH10NOB,  
N17H11NOB, N17ZH10NO



# BARISTA-INSPIRED COFFEE IN YOUR OWN HOME

Designed with true coffee connoisseurs in mind, our compact coffee centres are the ultimate addition to any sociable kitchen. From Cappuccinos with friends to that essential morning Espresso, use the MyCoffee option to select up to 8 firm favourites.

C17KS61NO  
Compact coffee centre



## KEY FEATURES



### SPECIAL FEATURES

- ☑ SensoFlow system
- ☑ OneTouch DoubleCup
- ☑ MyCoffee
- ☑ Aroma pressure system
- ☑ One-touch preparation
- ☑ TFT display with interactive menu
- ☑ Individual cup volume
- ☑ Coffee outlet and milk frother height-adjustable
- ☑ Water tank removable for easy refilling (2.4 l volume)
- ☑ Early warning before water tank or bean container empty
- ☑ Flexible milk solution
- ☑ SilentCeramDrive: Quiet premium grinder made from non-wearing ceramic
- ☑ CoffeeSensorPro
- ☑ Milk froth, hot milk and hot water separately available
- ☑ Reduced heat-up time: Fastest first cup
- ☑ Water pump with 19 bar pressure
- ☑ Separate chute for ground coffee

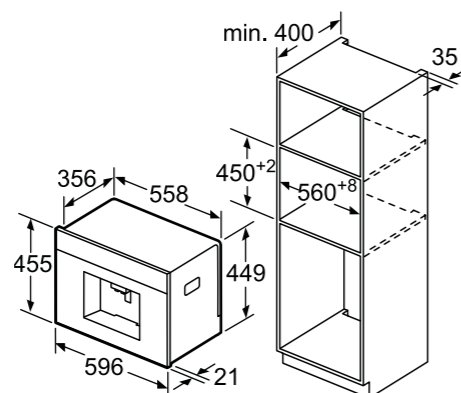
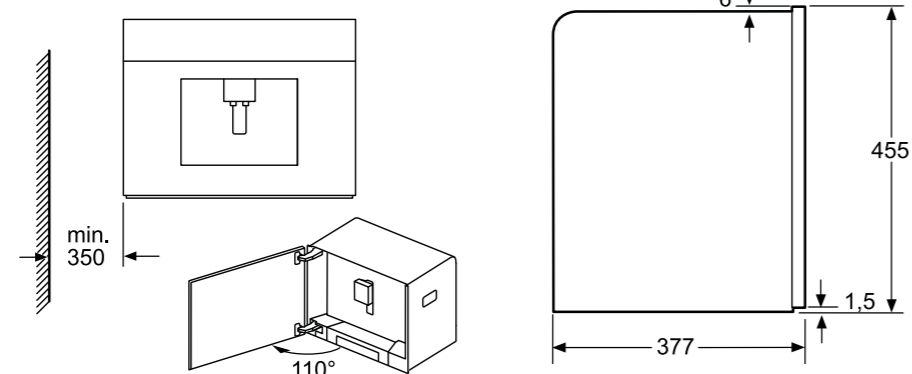
- ☑ 15.000 cup warranty: Consistently high appliance quality from the first cup to the 15,000th (valid for non-commercial use within 24 months)
- ☑ Removable brewing unit
- ☑ Auto milk clean
- ☑ Milk frother removable and dishwasher-proof
- ☑ Single portion cleaning
- ☑ Automatic rinsing programme when switching on, switching off
- ☑ Drip tray and coffee grounds container removable and dishwasher-proof
- ☑ Calc'nClean: Automatic cleaning and descaling programme

### ACCESSORIES

- ☑ Insulated milk container with FreshLock lid (0.5 l volume)
- ☑ Further included accessories: measuring spoon for ground coffee, connection hose for milk frother, test strip for water hardness, assembly screws.

C17KS61NO

### Left corner installation



Bean and water containers are removed from the front.  
Recommended installation height 95-145cm.

Measurements in mm.  
The line drawings featured in this brochure are provided as a guide to general dimensions only and are subject to amendment without prior notice.  
For full dimensional and installation details please refer to the documentation supplied with the appliance.



## COMPACT COFFEE CENTRE



Wake up to NEFF

NEFF coffee centres are designed with the most discerning Cookaholics in mind. With a unique SensoFlowSystem brewing your coffee to the perfect 90 - 95°C temperature, a richer aroma and a smoother taste is captured in every single cup.



## SLIDE & HIDE® PYROLYTIC OVEN SPECIFICATIONS

MODEL NO.	B58VT68NOB	B58CT68NOB	B57VS24NOB	B57CS24NOB	B57VR22NOB	B57CR22NOB
<b>COLOUR</b>						
Black glass with steel trim	•	•	•	•	•	•
Black glass with steel trim & steel fascia						
Stainless steel with black glass & steel fascia						•
<b>COOKING FUNCTIONS</b>	14	15	13	13	12	12
CircoTherm®	•	•	•	•	•	•
CircoTherm® Eco	•	•	•	•	•	•
Top/bottom heat	•	•	•	•	•	•
Conventional heat eco	•	•	•	•	•	•
Circo Roasting	•	•	•	•	•	•
Full surface grill	•	•	•	•	•	•
Centre surface grill	•	•	•	•	•	•
CircoTherm® intensive					•	
Bread baking	•	•	•	•	•	•
Bottom heat	•	•	•	•	•	•
Low temperature cooking	•	•	•	•	•	•
Pizza setting/ CircoTherm® Intensive	•	•	•	•	•	•
Defrost	•	•	•	•	•	•
Dough Proving		•		•		•
Plate warming	•	•				
Keep warm	•	•	•		•	
<b>COOKING FUNCTIONS WITH STEAM</b>						
Dough Proving	•		•		•	
Reheat	•		•		•	
<b>SPECIAL FEATURES</b>						
FullSteam						
VarioSteam	•		•		•	
Slide&Hide	•	•	•	•	•	•
ClearText Display	•	•	•	•	•	•
ComfortFlex system	•	•	•	•	•	•
Telescopic FlexiRail system						
NeffLight	•	•				
MultiPoint MeatProbe	•	•				
PowerBoost	•	•	•	•	•	•
Baking and roasting assistant	•	•	•	•	•	•
Steam setting (accessory N8642X3 required)	•	•	•	•	•	•
<b>FEATURES</b>						
Safety switch off	•	•	•	•	•	•
EasyClock	•	•	•	•	•	•
Full glass inner door	•	•	•	•	•	•
Glazed door (Quadruple/Triple/Double)	Quadruple	Quadruple	Quadruple	Quadruple	Quadruple	Quadruple
Water tank empty indicator	•		•		•	
<b>CONTROLS</b>						
FullTouch TFT display	•	•				
ShiftControl with TFT display			•	•	•	•
Retractable controls						•
<b>ELECTRONIC CONTROL</b>						
Temperature proposal	•	•	•	•	•	•
Actual temperature display	•	•	•	•	•	•
Heating up indicator	•	•	•	•	•	•
Automatic programmes	18		18		18	
Sabbath setting	•	•	•	•	•	•
<b>OVEN CLEANING</b>						
Pyrolytic cleaning	•	•	•	•	•	•
EasyClean	•	•	•	•	•	•
EasyClean Liners (roof/back/sides)						
BaseClean						
Cleaning programme	•		•		•	
Descaling programme	•		•		•	
<b>STANDARD ACCESSORIES</b>						
Wire shelf	2	2	2	2	2	2
Insert grid						
Universal pan	1	1	1	1	1	1
Perforated steam container (size S/M/L/XL)						
Unperforated steam container (size S/M/L/XL)						
<b>ENERGY EFFICIENCY</b>						
Energy efficiency rating <sup>2</sup>	A	A	A	A	A+	A+
Energy consumption CircoTherm	0.74	0.74	0.74	0.74	0.69	0.69
Energy consumption conventional	0.9	0.9	0.9	0.9	0.87	0.87
Cavity size classification	Large	Large	Large	Large	Large	Large
Time to cook standard load mins	44	44	44	44	42	42
Largest baking sheet area cm <sup>2</sup>	1290	1290	1290	1290	1290	1290
<b>TECHNICAL INFORMATION</b>						
Cavity dimensions (HxWxD) mm	357x480x415	357x480x415	357x480x415	357x480x415	357x480x416	357x480x417
Total connected load kW	3.45	3.45	3.45	3.45	3.45	3.45
Oven capacity** litres	71	71	71	71	71	71
Water tank capacity litres	1		1		1	

According to Norm EN50304: 2014 update 65/2014 (models that are steam only or including microwave not subject to the legislation)  
A+++ = more efficient, D = less efficient  
Correct as of January 2015. Subject to change without notice.

\*\*According to norm BN50304 : 2009 valid from Spring 2010.  
All our electronically controlled CircoTherm® ovens have the ability to operate at temperatures under 140°C for up to 73 hours.

## SLIDE & HIDE® OVEN SPECIFICATIONS

MODEL NO.	B48FT78NOB	B47FS34NOB	B47VS34NOB	B47CS34NOB	B47VR32NOB	B47CR32NOB	B44M42N5GB
<b>COLOUR</b>							
Black glass with steel trim	•	•	•	•	•	•	
Black glass with steel trim & steel fascia							
Stainless steel with black glass & steel fascia							•
<b>COOKING FUNCTIONS</b>	13	12	13	13	12	12	
CircoTherm®	•	•	•	•	•	•	•
CircoTherm® Eco	•	•	•	•	•	•	•
Top/bottom heat	•	•	•	•	•	•	•
Conventional heat eco	•	•	•	•	•	•	•
Circo Roasting	•	•	•	•	•	•	Thermo
Full surface grill	•	•	•	•	•	•	•
Centre surface grill	•	•	•	•	•	•	
CircoTherm® intensive							
Bread baking	•	•	•	•	•	•	
Bottom heat	•	•	•	•	•	•	•
Low temperature cooking	•	•	•	•	•	•	
Pizza setting/ CircoTherm® Intensive	•	•	•	•	•	•	
Defrost			•	•			•
Dough Proving				•		•	
Plate warming	•						
Keep warm	•	•	•		•		
<b>COOKING FUNCTIONS WITH STEAM</b>							
100% steam	•	•					
Dough Proving	•	•	•		•		
Reheat	•	•	•		•		
Defrost	•	•					
<b>SPECIAL FEATURES</b>							
FullSteam	•	•					
VarioSteam	•	•	•		•		
Slide&Hide	•	•	•	•	•	•	•
ClearText Display	•	•	•	•	•	•	•
ComfortFlex system	•	•	•	•	•	•	•
Telescopic FlexiRail system							
NeffLight	•						
MultiPoint MeatProbe	•						
PowerBoost	•	•	•	•	•	•	•
Baking and roasting assistant	•	•	•	•	•	•	•
Steam setting (accessory N8642X3 required)	•	•	•	•	•	•	•
<b>FEATURES</b>							
Safety switch off	•	•	•	•	•	•	•
EasyClock	•	•	•	•	•	•	•
Full glass inner door	•	•	•	•	•	•	•
Glazed door (Quadruple/Triple/Double)	Triple	Triple	Triple	Triple	Triple	Triple	Triple
Water tank empty indicator	•	•	•		•		
<b>CONTROLS</b>							
FullTouch TFT display	•						
ShiftControl with TFT display		•	•	•	•	•	
Retractable controls							•
<b>ELECTRONIC CONTROL</b>							
Temperature proposal	•	•	•	•	•	•	•
Actual temperature display	•	•	•	•	•	•	•
Heating up indicator	•	•	•	•	•	•	•
Automatic programmes	38	38	18		18		
Sabbath setting	•	•	•	•	•	•	•
<b>OVEN CLEANING</b>							
Pyrolytic cleaning							
EasyClean							
EasyClean Liners (roof/back/sides)	roof/back/slides	roof/back/slides	roof/back/slides	roof/back/slides	roof/back/slides	roof/back/slides	roof/back
BaseClean	•	•	•	•	•	•	
Descaling programme	•	•	•		•		
<b>STANDARD ACCESSORIES</b>							
Wire shelf	2	2	2	2	2	2	1
Insert grid							1
Universal pan	1	1	1	1	1	1	1
Perforated steam container (size S/M/L/XL)	S/XL	S/XL					
Unperforated steam container (size S/M/L/XL)	S	S					
<b>ENERGY EFFICIENCY</b>							
Energy efficiency rating <sup>2</sup>	A+	A+	A+	A+	A+	A+	A
Energy consumption CircoTherm	0.69	0.69	0.69	0.69	0.69	0.69	0.84
Energy consumption conventional	0.87	0.87	0.87	0.87	0.87	0.87	0.96
Cavity size classification	Large	Large	Large	Large	Large	Large	Large
Time to cook standard load mins	40	42	42	42	42	42	45
Largest baking sheet area cm <sup>2</sup>	1290	1290	1290	1290	1290	1290	1350
<b>TECHNICAL INFORMATION</b>							
Cavity dimensions (HxWxD) mm	355x480x415	355x480x415	357x480x415	357x480x415	357x480x414	357x480x415	329x479x418
Total connected load kW	3.45	3.45	3.45	3.45	3.45	3.45	2.9
Oven capacity** litres	71	71	71	71	71	71	67
Water tank capacity litres	1	1	1		1		

All models comply with COMMISSION REGULATION (EC) No 1275/2008 with regard to ecodesign requirements for standby and off mode electric power consumption.



# SINGLE PYROLYTIC OVEN SPECIFICATIONS

MODEL NO.	B27CR22N1B	B25CR22N1B	B14P42N5GB
<b>COLOUR</b>			
Black glass with steel trim	•		
Black glass with steel trim & steel fascia		•	
Stainless steel with black glass and steel fascia			•
<b>COOKING FUNCTIONS</b>	12	12	6
CircoTherm®	•	•	•
CircoTherm® Eco	•	•	
Top/bottom heat	•	•	•
Conventional heat eco	•	•	
Circo Roasting	•	•	Thermo
Full surface grill	•	•	•
Centre surface grill	•	•	
CircoTherm® intensive			
Bread baking	•	•	
Bottom heat	•	•	•
Low temperature cooking	•	•	
Pizza setting / CircoTherm® Intensive	•	•	
Defrost			
Dough Proving	•	•	
Plate warming			
Keep warm			
<b>COOKING FUNCTIONS WITH STEAM</b>			
Dough Proving			
Reheat			
<b>SPECIAL FEATURES</b>			
FullSteam			
VarioSteam			
Slide&Hide			
ClearText Display	•	•	•
ComfortFlex system			
Telescopic FlexiRail system			
NeffLight			
MultiPoint MeatProbe			
PowerBoost	•	•	•
Baking and roasting assistant			
Steam setting (accessory N8642X3 required)	•	•	
<b>FEATURES</b>			
Safety switch off	•	•	•
EasyClock	•	•	•
Full glass inner door	•	•	•
Glazed door (Quadruple/Triple/Double)	Quadruple	Quadruple	Quadruple
Water tank empty indicator			
<b>CONTROLS</b>			
FullTouch TFT display			
ShiftControl with TFT display	•	•	
Retractable controls			•
<b>ELECTRONIC CONTROL</b>			
Temperature proposal	•	•	•
Actual temperature display	•	•	•
Heating up indicator	•	•	•
Automatic programmes			
Sabbath setting	•	•	
<b>OVEN CLEANING</b>			
Pyrolytic cleaning	•	•	•
EasyClean	•	•	
EcoClean Liners (roof/back/sides)			
BaseClean			
Descaling programme			
<b>STANDARD ACCESSORIES</b>			
Wire shelf	2	2	1
Insert grid			1
Universal pan	1	1	1
Perforated steam container (size S/M/L/XL)			
Unperforated steam container (size S/M/L/XL)			
<b>ENERGY EFFICIENCY</b>			
Energy efficiency rating <sup>2</sup>	A+	A+	A
Energy consumption CircoTherm	0.69	0.69	0.82
Energy consumption conventional	0.87	0.87	0.92
Cavity size classification	Large	Large	Large
Time to cook standard load mins	42	42	48
Largest baking sheet area cm <sup>2</sup>	1290	1290	1350
<b>TECHNICAL INFORMATION</b>			
Cavity dimensions (HxWxD) mm	357x480x415	357x480x415	329x479x400
Total connected load kW	3.45*	3.45*	3.65*
Oven capacity** litres	71	71	63
Water tank capacity litres			

According to Norm EN50304: 2014 update 65/2014 (models that are steam only or including microwave not subject to the legislation)  
A+++ = more efficient, D = less efficient  
Correct as of January 2015. Subject to change without notice.

# SINGLE OVEN SPECIFICATIONS

MODEL NO.	B17CR32N1B	B15CR32N1B	B14M42N5GB	B14M42S5GB	B14M42W5GB
<b>COLOUR</b>					
Black glass with steel trim	•				
Black glass with steel trim & steel fascia		•			
Black glass with steel trim & black fascia					
Stainless steel with black glass and steel fascia			•		
Black				•	
White					•
<b>COOKING FUNCTIONS</b>	12	12	6	6	6
CircoTherm®	•	•	•	•	•
CircoTherm® Eco	•	•			
Top/bottom heat	•	•	•	•	•
Conventional heat eco	•	•			
Circo Roasting	•	•			
Thermo grill			•	•	•
Full surface grill	•	•	•	•	•
Centre surface grill	•	•			
CircoTherm® intensive					
Bread baking	•	•			
Bottom heat	•	•	•	•	•
Low temperature cooking	•	•			
Pizza setting / CircoTherm® Intensive	•	•			
Defrost			•	•	•
Dough Proving	•	•			
Plate warming					
Keep warm					
<b>COOKING FUNCTIONS WITH STEAM</b>					
Dough Proving					
Reheat					
<b>SPECIAL FEATURES</b>					
FullSteam					
VarioSteam					
Slide&Hide					
ClearText Display			•	•	•
ComfortFlex system					
Telescopic FlexiRail system					
NeffLight					
MultiPoint MeatProbe					
PowerBoost	•	•			
Baking and roasting assistant					
Steam setting (accessory N8642X3 required)	•	•			
<b>FEATURES</b>					
Safety switch off	•	•			
EasyClock	•	•	•	•	•
Full glass inner door	•	•	•	•	•
Glazed door (Quadruple/Triple/Double)	Triple	Triple	Triple	Triple	Triple
Water tank empty indicator					
<b>CONTROLS</b>					
FullTouch TFT display					
ShiftControl with TFT display	•	•			
Retractable controls			•	•	•
<b>ELECTRONIC CONTROL</b>					
Temperature proposal	•	•			
Actual temperature display	•	•			
Heating up indicator	•	•			
Automatic programmes					
Sabbath setting	•	•			
<b>OVEN CLEANING</b>					
Pyrolytic cleaning					
EasyClean					
EcoClean Liners (roof/back/sides)	R/B/S	R/B/S	B/R	B/R	B/R
BaseClean	•	•			
Descaling programme					
<b>STANDARD ACCESSORIES</b>					
Wire shelf	2	2	1	1	1
Insert grid			1	1	1
Universal pan	1	1	1	1	1
Perforated steam container (size S/M/L/XL)					
Unperforated steam container (size S/M/L/XL)					
<b>ENERGY EFFICIENCY</b>					
Energy efficiency rating <sup>2</sup>	A+	A+	A	A	A
Energy consumption CircoTherm	0.69	0.69	0.84	0.84	0.84
Energy consumption conventional	0.87	0.87	0.96	0.96	0.96
Cavity size classification	Large	Large	Large	Large	Large
Time to cook standard load mins	42	42	45	45	45
Largest baking sheet area cm <sup>2</sup>	1290	1290	1350	1350	1350
<b>TECHNICAL INFORMATION</b>					
Cavity dimensions (HxWxD) mm	357x480x415	357x480x415	329x479x418	329x479x418	329x479x418
Total connected load kW	3.45*	3.45*	2.9	2.9	2.9
Oven capacity** litres	71	71	66	66	66
Water tank capacity litres					

All models comply with COMMISSION REGULATION (EC) No 1275/2008 with regard to ecodesign requirements for standby and off mode electric power consumption.







## COMPACT STEAM OVEN SPECIFICATIONS

MODEL NO.	C18FT56N0B	C17FS32N0B	C17DR02N0
<b>COLOUR</b>			
Black glass with steel trim	•	•	•
Black glass with steel trim & steel fascia			
Stainless steel			
<b>SPECIAL FEATURES</b>			
FullSteam	•	•	•
VarioSteam®	•	•	•
ClearText Display	•	•	•
ComfortFlex system			
Telescopic FlexiRail system			
NeffLight®			
MultiPoint MeatProbe	•	•	•
PowerBoost	•	•	•
<b>FEATURES</b>			
Safety switch off	•	•	•
EasyClock	•	•	•
Full glass inner door			
Glazed door (Quadruple/Triple/Double)	Triple	Triple	Quadruple
Water tank empty indicator	•	•	•
<b>CONTROLS</b>			
FullTouch TFT display	•	•	•
ShiftControl with TFT display		•	•
Retractable controls			
<b>ELECTRONIC CONTROL</b>			
Temperature proposal	•	•	•
Actual temperature display	•	•	•
Heating up indicator	•	•	•
Automatic programmes	•	•	•
Sabbath setting	•	•	•
<b>OVEN CLEANING</b>			
Pyrolytic cleaning			
EasyClean®			
EcoClean® Liners (roof/back/sides)	roof/back/sides	roof/back/sides	
BaseClean	•	•	•
Cleaning programme	•	•	•
Descaling programme	•	•	•
Drying programme	•	•	•
<b>STANDARD ACCESSORIES</b>			
Wire shelf	1	1	
Insert grid			
Universal pan	1	1	
Perforated steam container (size S/M/L/XL)	S, XL	S, XL	L
Unperforated steam container (size S/M/L/XL)	S	S	L
Sponge			1
<b>ENERGY EFFICIENCY</b>			
Energy efficiency rating <sup>2</sup>	A+	A+	
Energy consumption CircoTherm	0.61	0.61	
Energy consumption conventional	0.73	0.73	
Time to cook standard load	mins 42	42	
Largest baking sheet area	cm <sup>2</sup> 1290	1290	
<b>TECHNICAL INFORMATION</b>			
Cavity dimensions (HxWxD)	mm 235x480x415	235x480x415	265x325x439
Total connected load	kW 3.3	3.3	1.9
Oven capacity**	litres 47	47	38
Wate A3:D58 capacity litres	1	1	1.3

All models comply with COMMISSION REGULATION (EC) No 1275/2008 with regard to ecodesign requirements for standby and of mode electric power consumption.

## COMPACT OVEN WITH MICROWAVE SPECIFICATIONS

MODEL NO.	C28MT27N0B	C27MS22N0B	C17MS32N0B	C17MR02N0B	C17UR02N0B
<b>FEATURES</b>					
NeffLight					
MultiPoint MeatProbe	•				
PowerBoost	•	•	•	•	•
<b>FEATURES</b>					
Safety switch off	•	•	•	•	•
Control panel lock	•	•	•	•	•
EasyClock	•	•	•	•	
<b>CONTROLS</b>					
FullTouch TFT display	•				
ShiftControl with TFT display		•	•	•	
TFT display with button control					•
Retractable controls					
<b>ELECTRONIC CONTROL</b>					
Temperature proposal	•	•	•	•	
Actual temperature display	•	•	•	•	
Heating up indicator	•	•	•	•	
Automatic programmes	•	•	•	•	•
Sabbath setting	•	•	•		
<b>OVEN CLEANING</b>					
Pyrolytic cleaning	•	•			
EasyClean®	•	•			
EcoClean® Liners (roof/back/sides)				roof/back/sides	
BaseClean				•	
<b>STANDARD ACCESSORIES</b>					
Wire shelf	2	1	1	1	
Insert grid					
Universal pan	1	1	1	1	
Perforated steam container (size S/M/L/XL)					
Unperforated steam container (size S/M/L/XL)					
Glass pan					•
<b>TECHNICAL INFORMATION</b>					
Cavity dimensions (HxWxD)	mm 237x480x392	237x480x392	237x480x392	237x480x392	242x430x345
Total connected load	kW 3.65	3.65	3.65	3.65	1.22
Oven capacity**	litres 45	45	45	45	36
Microwave distribution	Inverter	Inverter	Inverter	Inverter	Inverter
Maximum microwave power (W)	1000W	1000W	1000W	1000W	900W
Number of microwave power levels	5	5	5	5	5

## MICROWAVE OVEN SPECIFICATIONS

MODEL NO. / COLOUR	H12GE60N0G	H12WE60N0G	H11WE60N0G	H53W50N3GB
Stainless steel	H12GE60S0G	H12WE60S0G	H11WE60S0G	H53W50S3GB
Black				
White				
<b>DESCRIPTION</b>				
Microwave with grill	•		•	•
Microwave		•	•	•
<b>PROGRAMMES / FUNCTIONS</b>				
CircoTherm®				
Full surface grill	Quartz			
Microwave	•	•	•	•
Combination operation				
Automatic cooking/defrost/combination programmes	3/4/1	3/4/-	3/4/-	7/4/-
<b>FEATURES</b>				
Recipe memory positions	1	1	1	1
Electronic control	•	•	•	•
Silver Clear Text display	•	•	•	•
Automatic on/off programme	•	•	•	•
Drop-down door	Left-hinged	Left-hinged	Left-hinged	Left-hinged
Oven interior	Stainless steel	Stainless steel	Stainless steel	Stainless steel
CeramiClean® liners (roof, back, sides)				
Microwave distribution	Turntable	Turntable	Turntable	Turntable
Maximum microwave power	W 900	900	800	800
Number of microwave power levels	5	5	5	5
<b>DESIGN</b>				
Silver display	•	•	•	•
<b>TECHNICAL INFORMATION</b>				
Installation in 60cm wide tall housing	•	•	•	50cm
Installation base unit/under work surface				50cm
Installation in 60cm wide wall unit				
Side by side installation with Slide&Hide® ovens				
Recommended ovens for side by side installation				
Capacity	litres 25	25	20	17
Interior height	mm 208	208	221	194
Interior width	mm 328	328	308	290
Interior depth	mm 369	369	298	274
Turntable diameter	mm 315	315	255	245
Total connected load	W 1450	1450	1270	1270
Length of electrical cable	cm 130	130	130	130
GB plug	•	•	•	•

All models comply with COMMISSION REGULATION (EC) No 1275/2008 with regard to ecodesign requirements for standby and of mode electric power consumption.



## COMPACT OVEN SPECIFICATIONS

MODEL NO.	C28CT26N0B	C27CS22N0B
<b>COLOUR</b>		
Black glass with steel trim	•	•
Black glass with steel trim & steel fascia		
Stainless steel		
<b>SPECIAL FEATURES</b>		
FullSteam		
VarioSteam		
ClearText Display	•	•
ComfortFlex system		
Telescopic FlexiRail system		
NeffLight		
MultiPoint MeatProbe	•	•
PowerBoost	•	•
<b>FEATURES</b>		
Safety switch off	•	•
EasyClock	•	•
Full glass inner door	•	•
Glazed door (Quadruple/Triple/Double)	Quadruple	Quadruple
Water tank empty indicator		
Hinge		
<b>CONTROLS</b>		
FullTouch TFT display	•	
ShiftControl with TFT display		•
Retractable controls		
<b>ELECTRONIC CONTROL</b>		
Temperature proposal	•	•
Actual temperature display	•	•
Heating up indicator	•	•
Automatic programmes		
Sabbath setting	•	•
<b>OVEN CLEANING</b>		
Pyrolytic cleaning	•	•
EasyClean	•	•
EcoClean Liners (roof/back/sides)		
BaseClean		
Cleaning programme		
Descaling programme		
<b>STANDARD ACCESSORIES</b>		
Wire shelf	1	1
Insert grid		
Universal pan	1	1
Perforated steam container (size S/M/L/XL)		
Unperforated steam container (size S/M/L/XL)		
<b>ENERGY EFFICIENCY</b>		
Energy efficiency rating <sup>2</sup>	A+	A+
Energy consumption CircoTherm	0.61	0.61
Energy consumption conventional	0.73	0.73
Time to cook standard load	mins 46	46
Largest baking sheet area	cm <sup>2</sup> 1290	1290
<b>TECHNICAL INFORMATION</b>		
Cavity dimensions (HxWxD)	mm 237 x 480 x 415	237 x 480 x 415
Total connected load	kW 3.KW	3.KW
Oven capacity**	litres 47	47

## COMPACT MICROWAVE OVEN SPECIFICATIONS

COMPACT MW OVEN	C17GR00N0B	C17GR01N0B	C17WR00N0B	C17WR01N0B
<b>COLOUR</b>				
Black glass with steel trim	•	•	•	•
Black glass with steel trim & steel fascia				
Stainless steel				
<b>PROGRAMMES</b>				
Microwave	•	•	•	•
Microwave with grill	•	•		
Microwave distribution	Inverter	Inverter	Inverter	Inverter
Maximum Microwave Power (W)	900	900	900	900
Number of Microwave power levels	5	5	5	5
<b>FEATURES</b>				
EasyClock	•	•	•	•
ClearText Display	•	•	•	•
Full glass inner door	•	•	•	•
Automatic programmes	10	10	7	7
Hinge	Left	Right	Left	Right
<b>CONTROLS</b>				
FullTouch TFT display				
ShiftControl with TFT display	•	•	•	•
Retractable controls				
<b>STANDARD ACCESSORIES</b>				
Glass pan	1	1	1	1
Insert grid	1	1	1	1
<b>TECHNICAL INFORMATION</b>				
Cavity dimensions (HxWxD)	mm 220 x 350 x 270	220 x 350 x 270	220 x 350 x 270	220 x 350 x 270
Total connected load	kW 1.99	1.99	1.22	1.22
Oven capacity**	litres 21	21	21	21

## COFFEE CENTRE SPECIFICATIONS

MODEL NO. / COLOUR	C17KS61N0
Stainless steel	
<b>KEY FEATURES</b>	
3 TFT colour and graphics displays with direct text touch	•
Left hinged door to access interior	•
Electronic control	•
SensoFlow System	•
Aroma pressure system	•
Auto Valve System	•
<b>DESIGN</b>	
Control panel height mm 96	
ShiftControl	•
<b>FEATURES</b>	
Main on/off switch	•
Bean container / Ground coffee container	•/•
Container empty warning indicators for water / beans	•/•
Cleaning / descaling / filter warning indicators	•/•/•
Ceramic coffee grinders	•
Multilevel grinding setting	•
Cup illumination	•
Height adjustable coffee outlet (mm) 7-15	
Height adjustable milk nozzle (mm) 7-15	
Removable, insulated milk container	•
Removable water tank	•
Adjustable automatic switch off setting	•
Integrated water filter	•
Removable spillage collection tray	•
Removable used coffee grounds collection container	•
<b>PROGRAMMES / FUNCTIONS</b>	
Personalised milk beverage 1 or 2 cup	
Milk foam 1 or 2 cup	
Hot water 1 or 2 cup	
Warm milk 1 or 2 cup	
Ristretto 1 or 2 cup	
Coffee 1 or 2 cup	
Espresso 1 or 2 cup	
Cappuccino 1 or 2 cup	
Latte Macchiato 1 or 2 cup	
Caffe latte 1 or 2 cup	
Espresso Macchiato 1 or 2 cup	
One touch function for milk drinks	•
Coffee temperature options 3	
Hot water temperature options 4	
Milk foam/frothing function	•/•
Hot Milk function	•
Cleaning / descaling / combined programmes	•/•/•
Automatic rinse when switched on/off	•/•
<b>PERFORMANCE / TECHNICAL SPECIFICATIONS</b>	
Recommended installation height (mm) 950-1450	
Installation in a tall housing	•
Insulated Milk container capacity (L) 0.5	
Brewing chamber volume (g) 8-12	
Bean container 500	
Ground coffee container	•
Water tank capacity (L) 2.4	
Total connected loading (W) 1600	
Cable length (in cm) 170	
GB plug	•

## WARMING DRAWER & ACCESSORY DRAWER SPECIFICATIONS

MODEL NO. / COLOUR	N17HH20N0B	N17HH10N0B	N17HH11N0B	N17ZH10N0
Stainless steel				
Black				
<b>DESCRIPTION</b>				
Warming drawer	•	•	•	
Accessory drawer				•
<b>FEATURES</b>				
Operating indicator light	•	•	•	
Electronic control	•	•	•	
Rotary temperature control dial	•	•	•	
Number of settings	4	4	4	
Maximum temperature °C	80	80	80	
Minimum temperature °C	40	40	40	
Toughened glass drawer base	•	•	•	
Maximum weight capacity kg	25	25	25	15
Drawer interior volume litres	52	20	20	21
<b>DESIGN</b>				
Install independently	•	•	•	•
Install with compact appliance	•	•	•	•
Install with a single oven	•	•	•	•
Bar handle			•	
Push-Pull opening mechanism	•	•		•





# HOBS



Genuine cooking pleasure has no limits

With a range of gas, ceramic and induction hobs to choose from, there's a NEFF cook top for every Cookaholic. For traditionalists, our burners provide responsive, controlled cooking when only cooking on gas will do. For even faster results, a NEFF induction hob will boil a pan of water almost twice as fast as gas. And when a sleek, contemporary effect is required, ceramic offers a clean, smooth glass finish. Prefer complete flexibility? Our Domino hobs allow you to create a hob that's as unique as you.

## A HOB FOR EVERY COOKAHOLIC

### FLEX INDUCTION HOBS

FlexInduction hobs allow you to cook anywhere on the enlarged zones. When the zones are activated, pans will receive even, rapid heat transference wherever they are placed. Most hobs within the range are controlled by a removable Point&Twist magnetic dial.

### INDUCTION HOBS

Induction hobs operate much quicker than ceramic and are very responsive. They save energy and are incredibly safe – there's little residual heat once the saucepan is removed from the hob.

### GAS HOBS

Gas hobs continue to have a loyal following because they are responsive, controllable and offer an obvious visible operating indicator.

### CERAMIC HOBS

Ceramic hobs have a smooth glass finish which makes them practical and easy to clean. They also look flush, neat and modern in a contemporary kitchen.

### DOMINO HOBS

Our domino hobs can be mixed and matched to create a cooking station that's all your own. With gas (30cm), Quick-Light ceramic (30cm), FlexInduction (30cm) and Teppan Yaki (40cm) hobs within the range, our Domino hobs can be linked to provide the ultimate cooking experience.





# CHOOSING A NEFF HOB



Because every cook has their own unique cooking style

For sociable cooks who often find themselves juggling multiple pans, a FlexInduction hob provides any size pan, anywhere cooking within the zones. With the option to purchase the FlexInduction griddle pan, steamer and Teppan Yaki plate from our NEFF E-shop, there's lot of ways to get creative with your zones too.

For traditionalists who prefer to see exactly how much heat is delivered to their pans, gas cooking provides a robust and reliable way to prepare your favourite dishes. With flexible options in the NEFF range, our larger gas hobs are designed to accommodate woks and specialist cookware. If sleek, stylish clean lines are more in keeping with your kitchen design, our ceramic hobs provide a flush cooking surface for minimalist spaces.

If you really can't choose just one single option, our Domino range allows you to mix and match gas, Quick-Light, FlexInduction and Teppan Yaki hobs for a truly bespoke cook top.

## FINISHES

### Ceramic & Induction Hobs



Bevelled design trim



Premium glass on stainless steel trim



Frameless with front bevel



Flushline

### Gas Hobs



Black finish



White finish



Premium glass on stainless steel trim



Stainless steel finish with panel insert



Flushline



Side controls

We strive to maintain a range of hobs with sizes and finishes to suit all requirements. Choose from a number of options including colour trimmed models to match other NEFF appliances, or variations that blend in naturally with the worktop.

### EFFICIENCY

Induction hobs are particularly energy efficient, using around 30% less energy than gas or ceramic hobs. The energy goes directly to the pans and the food inside them, so that almost no energy is lost. And because the heat needed is available much quicker, induction uses less energy than other fuel types.

### SAFETY

People have used gas for decades as a quick, easy and safe means to cook. However, constantly changing international standards have brought safety into clearer focus, and as a result we've incorporated effective safety features into many of our gas hobs, like flame control, explained on page 89.

### CLEANING

The easiest hobs to clean are ceramic and induction models. Their smooth flat surface is easy to wipe down, and because the temperature of the glass is much lower than other hob types, spillages do not burn on and can be quickly cleaned up.

### CONNECTION

The **T41B30X2** induction hob has an automatic default setting of 20 amps, however, it also offers the option of altering the power output to one of three additional levels, equivalent to 16, 13 or 10 amps. If one of these levels is chosen, the hob automatically restricts the maximum power to the chosen setting.

### PLUG & PLAY USING A 60CM, 13AMP HOB

The **T40B31X2GB** is a frameless induction hob that comes complete with a 13 amp fitted plug. The advantage of this model is that it can be plugged into any mains socket in the kitchen – without the need for hard-wiring. It's the ideal choice for anyone considering replacing a gas hob with an induction hob as there is no additional electrical work required.

# UNDERSTANDING INDUCTION COOKING



CLEAN AND CLEVER, ONCE YOU START USING AN INDUCTION HOB, YOU'LL NEVER LOOK BACK.

An induction hob provides one of the most efficient methods of cooking. Extremely fast, with the ability to accurately control the power, induction hobs contain a strong electromagnet positioned under the surface of the hob. When a zone is activated and a ferrous metal pan is placed on it, a circuit is created which begins a rapid, even transference of heat to the base of the pan and its contents.

### STYLISH

Ceramic induction hobs are sleek, shiny and smooth – they complement the minimal, uncluttered lines of today's stylish kitchens.

### FAST

The speed of induction cooking is one of its major benefits. Cooking zones heat up remarkably quickly and if a boost of power is required it can be easily transferred from zone to zone.

### RESPONSIVE

Induction hobs are extremely controllable; as soon as a saucepan is removed it breaks the circuit and diffuses heat instantly.

### EASY TO USE

The flat, non-porous surface can be wiped over quickly, with areas around the circular zones remaining cool even during cooking. That way, if food spills or boils over it won't ever get burnt on to the surface.

### ENERGY EFFICIENT

Induction hobs are extremely energy efficient with the added advantage of saving money on electricity bills. The precise amount of energy needed is only ever used as just the base of the pan heats up.

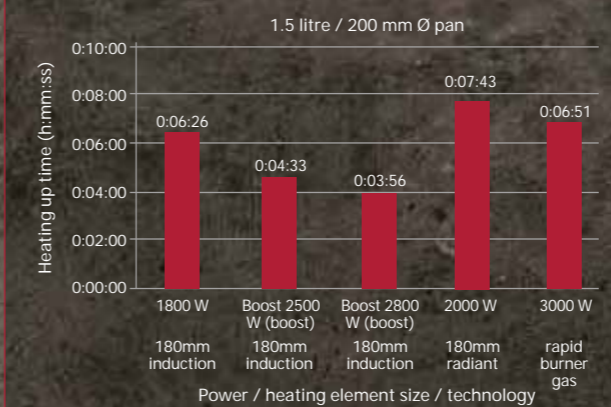
### SAFE TO USE

A feature on all of our induction hobs, automatic pan recognition 'senses' and subsequently only heats up saucepans with a smooth, flat base, suitable diameter and ferrous metal content. This ensures that the hob will not heat up items like metal spoons accidentally left on induction zones, for added peace of mind.

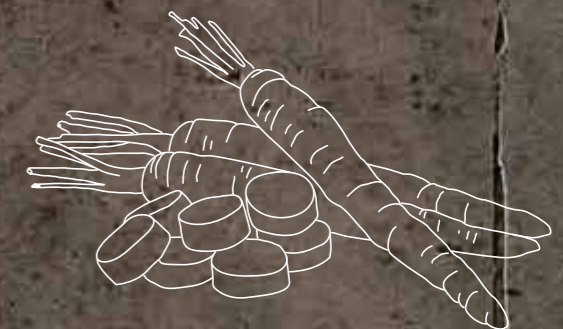
Note: Only saucepans made of ferrous metal are suitable for use on induction hobs.

### HEATING UP TIMES OF DIFFERENT HOB

Heating up times from 15°C to 90°C according to EN 50304/ EN 60350: 2009 Fissler Original Profi Collection cookware



AN INDUCTION HOB WILL BOIL A PAN OF WATER ALMOST TWICE AS FAST AS A GAS HOB





# USING A NEFF INDUCTION HOB



Our induction hobs have functions and features to suit every cook. With three easy-to-use methods of operation to choose from, both traditionalists and innovators alike can find the perfect cook-top.

## INDUCTION & CERAMIC HOB FUNCTIONS

### THREE KEY CONTROLS

- **Touch control** – simply touch the buttons directly on the hob.
- **Point & Twist** – a clever, removable magnetic central control dial.
- **Bevelled oval controls** – featured on most domino hob models and various ceramic hobs.

### CONTROL PANEL LOCK

A useful safety feature, just switch on the control panel lock to make sure children can't play with the controls.

### RESIDUAL HEAT INDICATORS

Primarily a safety feature – 'H' means it's hot enough to continue cooking; 'h' means it's not hot enough to cook, but too hot to touch.

### CONTROL PANEL SUSPENSION

Activates a freeze setting at the touch of a button, allowing the hob to be wiped clean easily and safely.

### SAFETY CUT-OUT FACILITY

For added peace of mind, our induction hobs feature a safety cut-out facility which activates if the hob has been in constant use but no settings have been changed for a period of time.

### QUICKSTART

Allows for a quick and immediate start to the cooking process as the hob detects the pan, which then activates the zone.

### RESTART

Provides full control over the hob by recalling the current used settings for up to four seconds if the hob has been unintentionally switched off by simply pressing the main switch.

### POINT & TWIST

The Point&Twist control is yet another innovative and unique feature by NEFF. When placed in the control area, the magnet on the bottom of the dial connects with the hob and contact is established for control. Simply 'point' at the zone to activate it, and 'twist' either clockwise or anti-clockwise to select the power setting.

If the dial does go missing for any reason, there is a manual override procedure for added peace of mind. **With the hob turned off, the dial can be removed to create a sleek and easy to clean surface.**

### INDUCTION HOB WITH POINT & TWIST CONTROL

- T54T97N2
- T54T95N2
- T51T95X2
- T51T86X2
- T54T55N2
- T51T55X2
- T51T53X2

Go to pages 94-97



# FLEX INDUCTION HOBS



## Innovations in flexible cooking

For entertainers, professional cooks or large families, a NEFF FlexInduction hob provides a fantastic solution to demanding cooking requirements. The modern design, with clear print lines, supports a variety of pan sizes while reflecting a minimalistic design trend.

FLEX INDUCTION IS PERFECT FOR ANY SIZE PAN, ANYWHERE COOKING.

### FLEX INDUCTION EXPLAINED

By using a different arrangement of induction coils to cover a wider area, entire zones can be activated and pans placed anywhere within that zone will receive instant, even heat transference. This will put an end to juggling hot pans for space on the hob when cooking large dinners or multiple meals.

FlexInduction uses the same basic technology as standard NEFF induction hobs, which means these models also benefit from significantly lower surface temperatures. Because the entire space can be used efficiently, pans can be placed towards the rear of the zones, lessening the likelihood of accidents due to protruding handles. This makes FlexInduction one of the safer options for families with toddlers or young children.

The new design layout offers a larger zone (approximately 24 x 40cm) to cater for bigger pans, presenting more flexibility in pan size selection and positioning.



T54T95N2

Go to pages 94-98

### FLEX INDUCTION HOBS

- T54T97N2
- T54T95N2
- T51T95X2
- T51T86X2
- T51D86X2
- T54T55N2
- T51T55X2
- T51T53X2
- T51D53X2



THE NEFF OVEN COLLECTIONS

HOBS

VENTILATION

REFRIGERATION

DISHWASHING

LAUNDRY





## USING A GAS HOB



### The original re-imagined

Cooking with gas is a tried and tested medium. Its reliability, responsiveness and versatility have earned it the loyalty of both amateur and professional cooks alike.

BECAUSE IT'S SO RESPONSIVE AND CONTROLLABLE, GAS IS STILL THE NUMBER ONE CHOICE FOR MANY NEFF CUSTOMERS.

### GAS HOB IN THE RANGE

With gas, each pan requires its own burner to receive heat, so consideration needs to be taken over the average usage that the hob will receive and how many burners are going to be used. We provide three widths of gas hob, with a range of four to six gas burners. Some come with a larger wok burner as standard, but many models have a wok support available as an accessory.



90cm 6 burner extra wide hob



70cm 5 burner extra wide hob



60cm wide standard width hob

### BENEFITS OF A CERAMIC GLASS GAS HOB

Ceramic glass gas hobs feature a range of additional benefits over tempered glass hobs. In terms of safety, they have extra heat resistance and are ultra durable. They feature low-profile, one-piece burners which clean easily and always look trim and streamlined. The glass used is also exceptionally strong which keeps the thickness down to just 4mm. Finished with high precision, bevelled edges and mounted on a steel frame, they come complete with pan supports.



### GAS HOB FUNCTIONS

#### ELECTRONIC CONTROL

Offers a host of features that are usually found on ceramic hobs, including an LED display.

#### HIGH SPEED BURNERS

Provide a surge of extra power, particularly useful to boil a large pan of water quickly.

#### WOK BURNER

The secret of Chinese stir fry cooking is heat and speed. Our Domino wok (N24K35N0GB) delivers 6.0kW, one of the most powerful on the market.

#### SIMMER SETTING

Excellent for slow simmering, almost all of our gas hobs have a very low burner with a maximum of just 1.0kWh.

#### FLAME CONTROL

The **flame failure safety device** shuts down the supply of gas to the hob if the flame goes out for any reason.

The **automatic reignition** uses a heat sensor to detect if the flame goes out and, if so, will automatically attempt to reignite.

The **residual heat indicator** displays if there is any residual heat on the hob. In the event of a problem with the individual burner the indicator lights also act as warning lights.

#### CAST IRON PAN SUPPORTS

Firmly hold the pan above the flame, leaving space between the base and the burner. They're used on the majority of our models because of their robust and sturdy nature and tolerance to prolonged contact with heat.

#### BEVELLED OVAL CONTROLS

Ergonomically designed to be gripped and turned easily, even with wet or greasy hands.



Cast iron pan supports



Bevelled oval controls



# DOMINO HOBS



## Bespoke solutions for creative cooks

Our Domino hobs can be mixed and matched to create a cooking station that's all your own. With gas (30cm), Quick-Light ceramic (30cm), FlexInduction (30cm) and Teppan Yaki (40cm) hobs within the range, our Domino hobs can be linked to provide the ultimate cooking experience. If you know exactly how you like to cook but prefer an additional zone for those speciality dishes, it's also possible to mix a full sized hob with an extra Domino zone.

HOW DO YOU LIKE TO COOK?  
WITH NEFF DOMINO HOBS,  
THE OPPORTUNITIES ARE ENDLESS.

Find out more  
about our  
Domino hobs  
on page 134



# EXPLORE THE RANGE



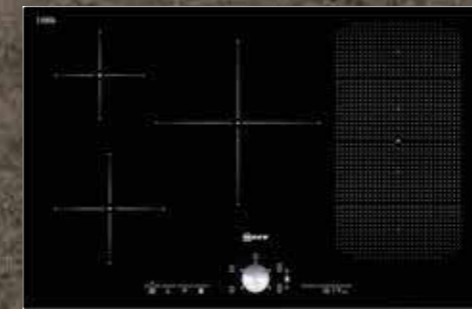
## GAS

A firm favourite amongst cooks who like to see exactly how much heat is being generated, our gas Domino range includes a two burner hob and a wok-style single burner. The ideal addition to a 60cm induction hob.



## QUICK-LIGHT

For fast, stylish cooking, our Quick-Light Domino hob is ideal for minimalist kitchens. Easy to operate and clean, simply wipe over the smooth glass surface after cooking.



## FLEX INDUCTION

With a full cooking zone spanning the length of the hob, our FlexInduction hobs are designed for flexible, anywhere cooking. With the option to purchase a FlexInduction griddle pan, steamer and Teppan Yaki plate from the NEFF online store, a FlexInduction hob provides the ultimate flexibility.



## TEPPAN YAKI

This Japanese-inspired cooking plate is designed for direct contact cooking. A real show-stopper with dinner-party appeal, a Teppan Yaki provides style and substance. Try cooking meats, fish and vegetables on this versatile cooking surface.

## CONNECTING YOUR DOMINO HOBS

It's simple to mix and match your Domino cooking zones using our connecting links accessory kit (Z9914X0). With a brushed steel design, our connecting kit creates a stylish and flexible cook-top effect.





Add an accessory for even more cooking options.

# HOB ACCESSORIES



We've carefully designed a range of cooking accessories to allow you to get the most out of your hob. From robust saucepans to creative cooking solutions for our FlexInduction hobs, there's lots of ways to try something new with NEFF.

## SAUCEPANS

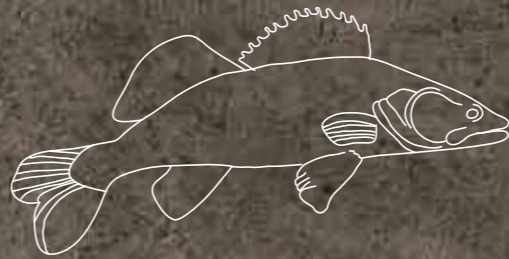
Ferrous metal saucepans are required for use on an induction hob. To check if a saucepan can be used with an induction hob use our quick magnetic test shown below. NEFF saucepans have been tried and tested to ensure that they offer optimum performance with NEFF hobs.



In most cases if the magnet sticks, the pans are made from ferrous metal and are therefore likely to be suitable for use on induction hobs.



Z9442X0 (accessory reference)  
00576026 (part number)



## OVAL ROASTER AND STEAMER RACK

With our roaster and steam accessory, it's possible to steam on a NEFF induction hob too. Ideal for preparing delicate fish and vegetables, steam cooking is a great way to prepare healthy, nutritious dishes. Oven and dishwasher safe.



Z9410X1 (roaster accessory number)  
00573879 (roaster part number)



Z9415X1 (steam rack accessory number)  
00576118 (steam rack part number)



Z9416X2 (accessory number)  
00576158 (part number)



Z9417X2 (accessory number)  
00575951 (part number)

## FLEX INDUCTION ACCESSORIES

Spanning the length of your FlexInduction zone, our accessories are designed to inspire you in the kitchen. From everyday cooking to theatrical displays, there's an accessory to bring out the best in your favourite dishes.

### GRIDDLE PLATE

Ideal for cooking steaks, fish, flatbreads and sliced vegetables, an induction griddle plate offers considerably more flexibility than a standard square griddle pan. All accessories within our induction range are easy to clean and dishwasher safe.

Surface area: 41.5 x 26.5cm

### TEPPAN YAKI

Inspired by Japanese cooking, our Teppan Yaki plates are a stylish way to cook meat, fish and vegetables. Ideal for sociable cooking, Teppan Yaki plates provide even heat transference for delicious, impressive dishes.

Surface area: 41.5 x 26.5cm

THE NEFF OVEN COLLECTIONS

HOB

VENTILATION

REFRIGERATION

DISHWASHING

LAUNDRY



# THE JOY OF FLEXIBLE COOKING

FlexInduction offers creative cooks the ultimate freedom. With enlarged cooking spaces spanning the length of the hob, the whole zone becomes your cooking canvas. With a range of widths available and a choice of either Point&Twist or FullTouchControl operation, there's a solution for every creative kitchen.

Add an accessory for more cooking options. See pages 92-93.



## T54T97N2 Extra Wide FlexInduction Hob

### DESIGN / PERFORMANCE



#### SPECIAL FEATURES

- Power boost for all induction zones
- LED display for each zone
- LED timer for each zone with switch off function and acoustic signal
- Automatic pan recognition
- 3 flex induction zones, 2 of which have 2 single induction zones

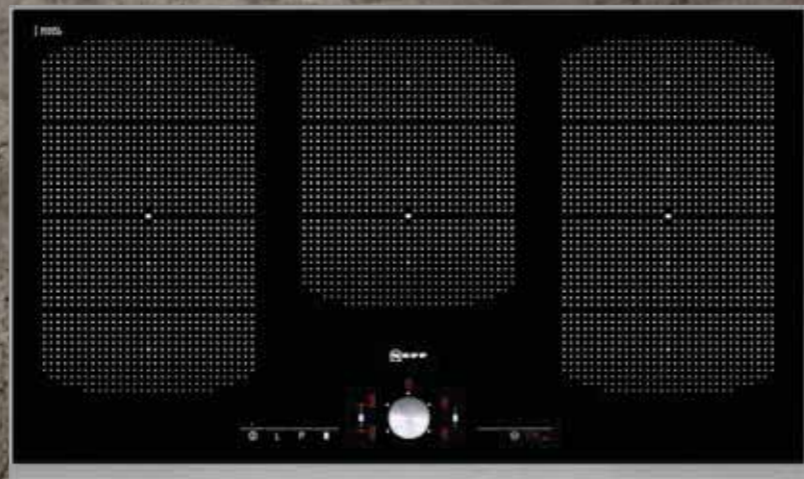
#### ADDITIONAL FEATURES

- 2 stage residual heat indicators
- Safety cut out facility
- Control panel lock

Connect to domino

#### OPTIONAL ACCESSORIES

- May be connected with NEFF domino hobs via connecting links Z9914X0
- Only saucepans made of ferrous metal are suitable for use on this hob



## FLEX INDUCTION HOBS



### Point, twist and remove for cleaning - Point&Twist offers the ultimate control

Our FlexInduction hobs are created to respond to your way of cooking. Delivering heat exactly where it's needed. FlexInduction is a truly liberating way to prepare your favourite dishes. With a range of griddle pans and Teppan Yaki grill plates available from the NEFF online store, creative cooking has never been easier. With the majority of FlexInduction hobs featuring Point&Twist operation, simply point and twist towards your cooking zones to activate. Once you've finished cooking, the magnetic Point&Twist dial can simply be removed for a sleek, stylish cook top finish.

## T54T95N2 Extra Wide FlexInduction Hob

### DESIGN / PERFORMANCE



#### SPECIAL FEATURES

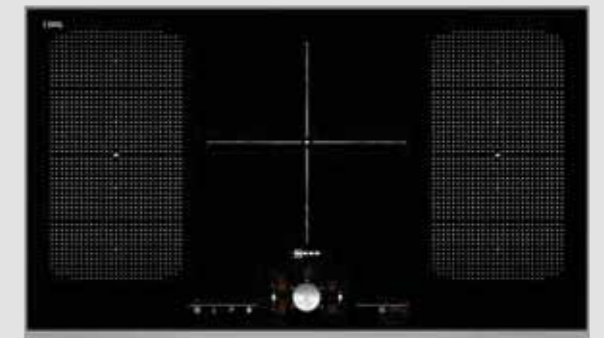
- Central 32cm triple zone
- LED display for each zone
- LED timer for each zone with switch off function and acoustic signal
- Automatic pan recognition
- 2 flex induction zones, each has 2 single induction zones

#### ADDITIONAL FEATURES

- 2 stage residual heat indicators
- Safety cut out facility
- Control panel lock
- Connect to domino

#### OPTIONAL ACCESSORIES

- May be connected with NEFF domino hobs via connecting links Z9914X0
- Only saucepans made of ferrous metal are suitable for use on this hob



## T51T95X2 Extra Wide FlexInduction Hob

### DESIGN / PERFORMANCE



#### SPECIAL FEATURES

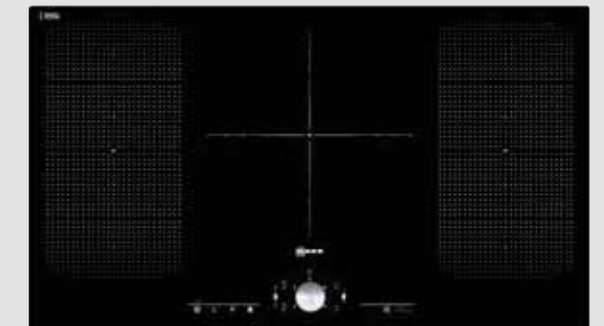
- Central 32cm triple zone
- Power boost for all induction zones
- LED display for each zone
- LED timer for each zone with switch off function and acoustic signal
- Automatic pan recognition
- 2 flex induction zones, each has 2 single induction zones

#### ADDITIONAL FEATURES

- 2 stage residual heat indicators
- Safety cut out facility
- Control panel lock

#### OPTIONAL ACCESSORIES

- Only saucepans made of ferrous metal are suitable for use on this hob



## T51T86X2 Extra Wide FlexInduction Hob

### DESIGN / PERFORMANCE



#### SPECIAL FEATURES

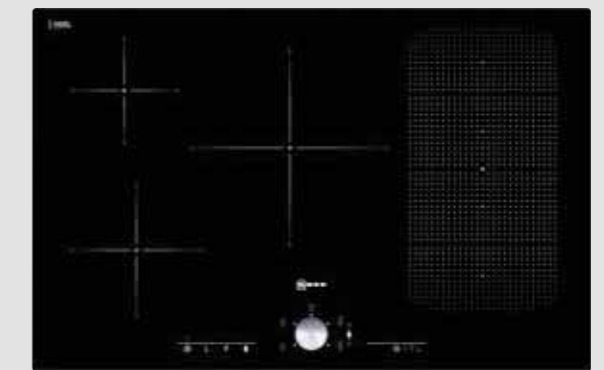
- LED display for each zone
- LED timer for each zone with switch off function and acoustic signal
- Automatic pan recognition
- 1 flex induction zone, can be used as 2 single induction zones

#### ADDITIONAL FEATURES

- 2 stage residual heat indicators
- Keep warm function
- Safety cut out facility
- Control panel lock

#### OPTIONAL ACCESSORIES

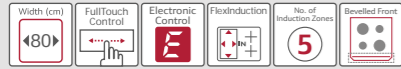
- Only saucepans made of ferrous metal are suitable for use on this hob





## T51D86X2 Extra Wide FlexInduction Hob

### DESIGN / PERFORMANCE



#### SPECIAL FEATURES

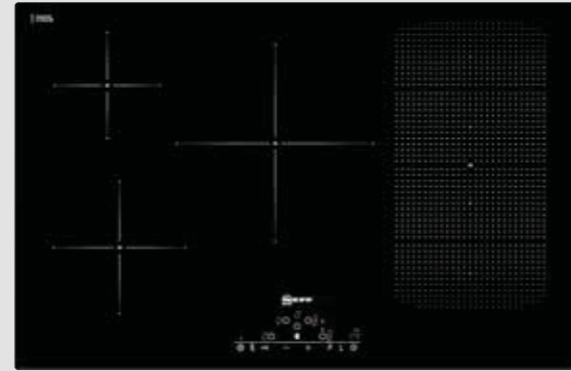
- LED display for each zone
- LED timer for each zone with switch off function and acoustic signal
- Automatic pan recognition
- 1 flexinduction zone, can be used as 2 single induction zones

#### ADDITIONAL FEATURES

- 2 stage residual heat indicators
- ReStart function
- QuickStart function
- Energy consumption display
- Safety cut out facility
- Control panel lock

#### OPTIONAL ACCESSORIES

- Only saucepans made of ferrous metal are suitable for use on this hob



## T51T53X2 FlexInduction Hob

### DESIGN / PERFORMANCE



#### SPECIAL FEATURES

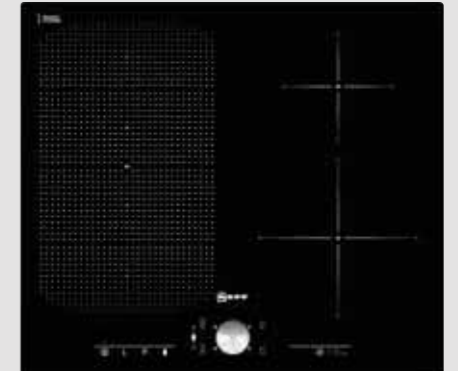
- Central 32cm triple zone
- LED display for each zone
- LED timer for each zone with switch off function and acoustic signal
- Automatic pan recognition
- 1 flexinduction zone, can be used as 2 single induction zones

#### ADDITIONAL FEATURES

- 2 stage residual heat indicators
- Safety cut out facility
- Control panel lock

#### OPTIONAL ACCESSORIES

- Only saucepans made of ferrous metal are suitable for use on this hob



## T54T55N2 FlexInduction Hob

### DESIGN / PERFORMANCE



#### SPECIAL FEATURES

- Automatic pan recognition
- Power boost for all induction zones
- LED display for each zone
- LED timer for each zone with switch off function and acoustic signal

#### ADDITIONAL FEATURES

- 2 stage residual heat indicators
- Safety cut out facility
- Control panel lock
- Connect to domino

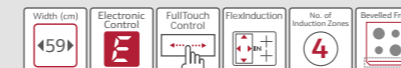
#### OPTIONAL ACCESSORIES

- May be connected with NEFF domino hobs via connecting links Z9914X0
- Only saucepans made of ferrous metal are suitable for use on this hob



## T51D53X2 FlexInduction Hob

### DESIGN / PERFORMANCE



#### SPECIAL FEATURES

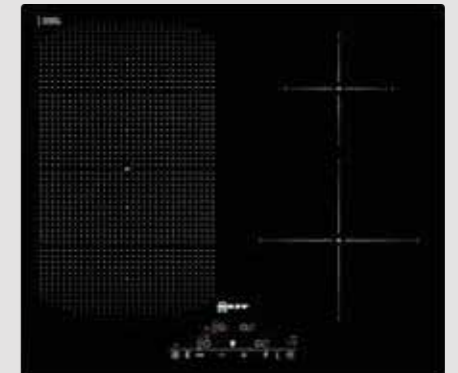
- Power boost for all induction zones
- LED display for each zone
- LED timer for each zone with switch off function and acoustic signal
- Automatic pan recognition
- 1 flexinduction zone that can be used as 2 single induction zones

#### ADDITIONAL FEATURES

- 2 stage residual heat indicators
- ReStart function
- QuickStart function
- Safety cut out facility
- Control panel lock

#### OPTIONAL ACCESSORIES

- Only saucepans made of ferrous metal are suitable for use on this hob



## T51T55X2 FlexInduction Hob

### DESIGN / PERFORMANCE



#### SPECIAL FEATURES

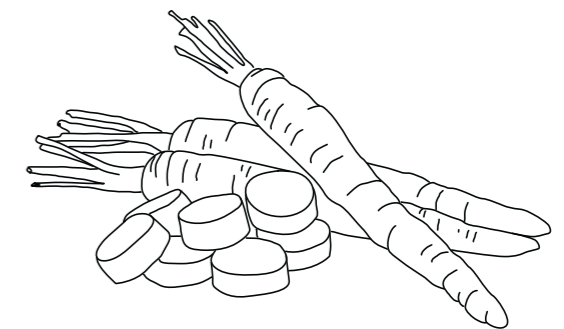
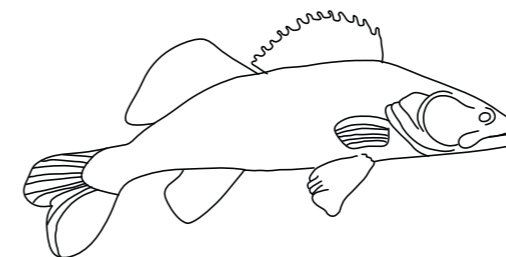
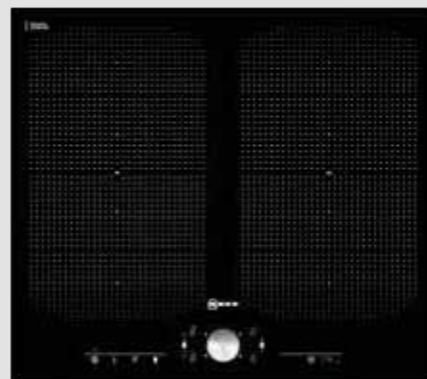
- LED display for each zone
- LED timer for each zone with switch off function and acoustic signal
- Power boost for all induction zones
- Automatic pan recognition

#### ADDITIONAL FEATURES

- 2 stage residual heat indicators
- Safety cut out facility
- Control panel lock

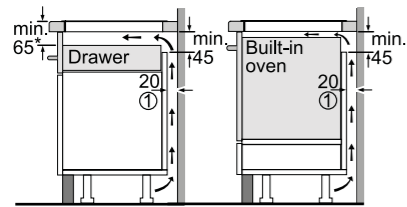
#### OPTIONAL ACCESSORIES

- Only saucepans made of ferrous metal are suitable for use on this hob

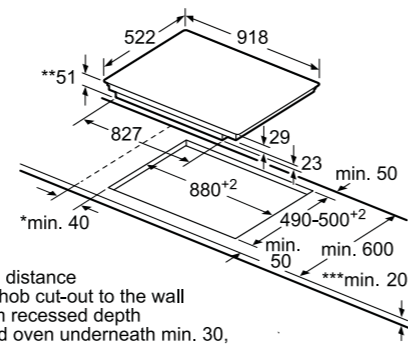




T54T97N2, T54T95N2, T51T95X2

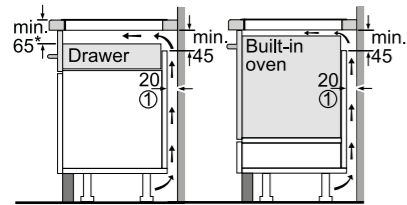


① Ventilation gap must be present  
\* Min. 70 for all induction hobs integrated flush with surrounding surfaces

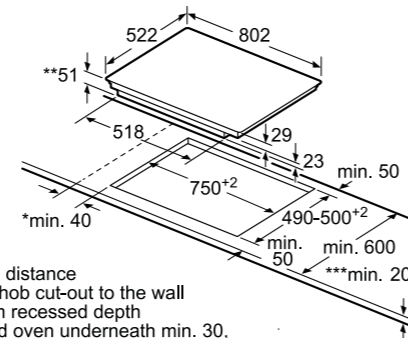


\* Minimum distance from the hob cut-out to the wall  
\*\* Maximum recessed depth  
\*\*\* With fitted oven underneath min. 30, possibly more; see space requirements for the oven.

T51T86X2, T51D86X2

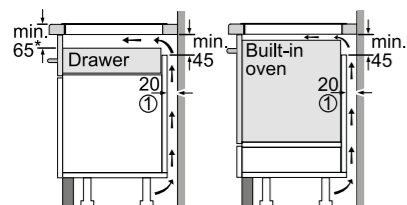


① Ventilation gap must be present  
\* Min. 70 for all induction hobs integrated flush with surrounding surfaces

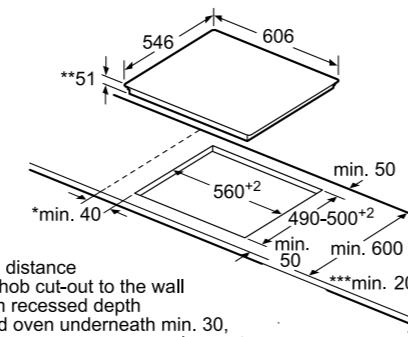


\* Minimum distance from the hob cut-out to the wall  
\*\* Maximum recessed depth  
\*\*\* With fitted oven underneath min. 30, possibly more; see space requirements for the oven.

T54T55N2

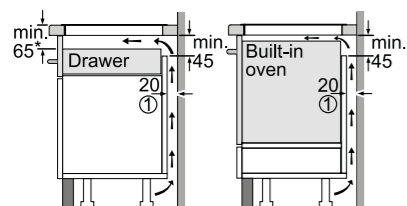


① Ventilation gap must be present  
\* Min. 70 for all induction hobs integrated flush with surrounding surfaces

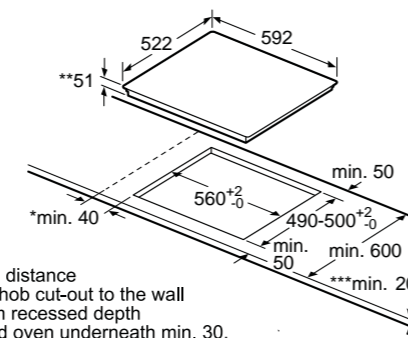


\* Minimum distance from the hob cut-out to the wall  
\*\* Maximum recessed depth  
\*\*\* With fitted oven underneath min. 30, possibly more; see space requirements for the oven.

T51T55X2, T51T53X2, T51D53X2



① Ventilation gap must be present  
\* Min. 70 for all induction hobs integrated flush with surrounding surfaces



\* Minimum distance from the hob cut-out to the wall  
\*\* Maximum recessed depth  
\*\*\* With fitted oven underneath min. 30, possibly more; see space requirements for the oven.

Measurements in mm.  
The line drawings featured on this page are provided as a guide to general dimensions only and are subject to amendment without prior notice.  
For full dimensional and installation details please refer to the documentation supplied with the appliance.



THE NEFF OVEN COLLECTIONS

HOBS

VENTILATION

REFRIGERATION

DISHWASHING

LAUNDRY



# FAST AND RESPONSIVE

NEFF induction hobs are designed to offer precision control in the kitchen. Responsive and intuitive, heat is directly transferred to your pans for a safe and efficient way of cooking. With a range of widths and lengths available, there's an induction hob to suit every kitchen design.

Visit page 93 to learn more about NEFF ferrous induction pans



## T45D90X2 Extra Wide Induction Hob

### DESIGN / PERFORMANCE



#### SPECIAL FEATURES

- Power boost for all induction zones
- LED display for each zone
- LED timer for each zone with switch off function and acoustic signal
- Automatic pan recognition
- ReStart function
- QuickStart function

#### ADDITIONAL FEATURES

- 2 stage residual heat indicators
- Control panel lock
- Safety cut out facility

#### OPTIONAL ACCESSORIES

- Only saucepans made of ferrous metal are suitable for use on this hob



## INDUCTION HOBS



**Sleek, stylish and responsive - the perfect addition to contemporary kitchens.**

Our induction hobs deliver heat exactly where you need it with little residual heat. This makes induction cooking one of the safest and most efficient modes of cooking around. Offering an extra-wide cooking surface and FullTouchControl operation, this hob is created with passionate, experimental cooks in mind.

## T41D90X2 Extra Wide Induction Hob

### DESIGN / PERFORMANCE

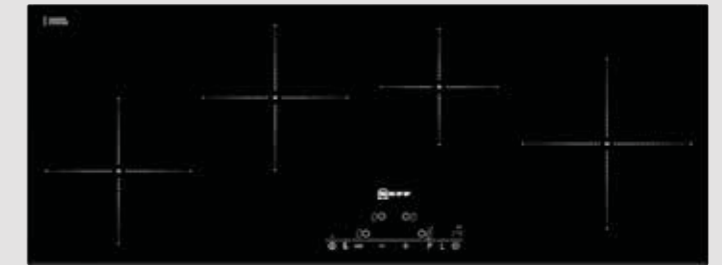


#### SPECIAL FEATURES

- Power boost for all induction zones
- LED display for each zone
- LED timer for each zone with switch off function and acoustic signal
- Automatic pan recognition
- Restart function
- QuickStart function

#### ADDITIONAL FEATURES

- 2 stage residual heat indicators
- Energy consumption display
- Safety cut out facility
- Control panel lock



## T45D82X2 Extra Wide Induction Hob

### DESIGN / PERFORMANCE



#### SPECIAL FEATURES

- Power boost for all induction zones
- LED display for each zone
- LED timer for each zone with switch off function and acoustic signal
- Automatic pan recognition
- ReStart function
- QuickStart function

#### ADDITIONAL FEATURES

- 2 stage residual heat indicators
- Energy consumption display
- Safety cut out facility
- Control panel lock



## T41D82X2 Extra Wide Induction Hob

### DESIGN / PERFORMANCE



#### SPECIAL FEATURES

- Power boost for all induction zones
- LED display for each zone
- LED timer for each zone with switch off function and acoustic signal
- Restart function
- QuickStart function

#### ADDITIONAL FEATURES

- 2 stage residual heat indicators
- Energy consumption display
- Safety cut out facility
- Control panel lock





## T45D40X2 Induction Hob

### DESIGN / PERFORMANCE



#### SPECIAL FEATURES

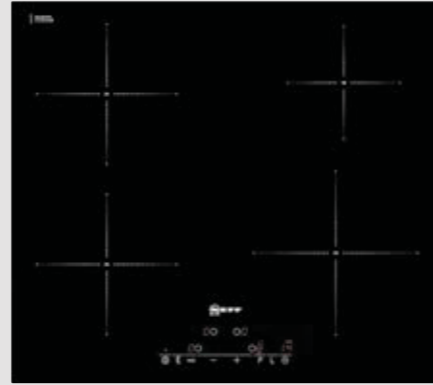
- Ⓜ Power boost for all induction zones
- Ⓜ LED display for each zone
- Ⓜ LED timer for each zone with switch off function and acoustic signal
- Ⓜ Automatic pan recognition

#### ADDITIONAL FEATURES

- Ⓜ 2 stage residual heat indicators
- Ⓜ Safety cut out facility
- Ⓜ ReStart function
- Ⓜ QuickStart function
- Ⓜ Energy consumption display
- Ⓜ Safety cut out facility
- Ⓜ Control panel lock

#### OPTIONAL ACCESSORIES

- Ⓜ Only saucepans made of ferrous metal are suitable for use on this hob



## T40B31X2GB Induction Hob

### DESIGN / PERFORMANCE



#### SPECIAL FEATURES

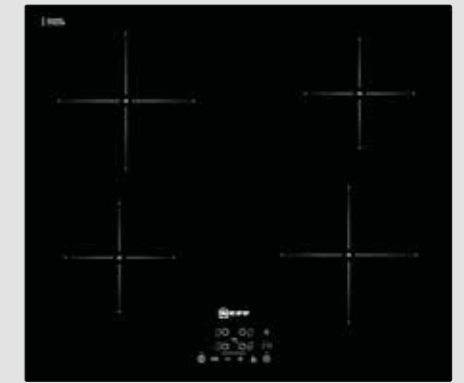
- Ⓜ Power boost for all induction zones
- Ⓜ LED display for each zone
- Ⓜ LED timer for each zone with switch off function and acoustic signal
- Ⓜ Automatic pan recognition

#### ADDITIONAL FEATURES

- Ⓜ 2 stage residual heat indicators
- Ⓜ ReStart function
- Ⓜ QuickStart function
- Ⓜ Safety cut out facility
- Ⓜ Control panel lock

#### OPTIONAL ACCESSORIES

- Ⓜ Only saucepans made of ferrous metal are suitable for use on this hob



## T41D40X2 Induction Hob

### DESIGN / PERFORMANCE



#### SPECIAL FEATURES

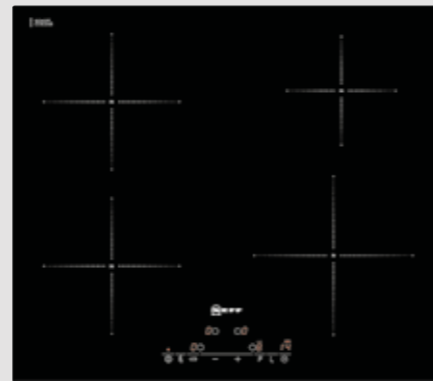
- Ⓜ Power boost for all induction zones
- Ⓜ LED display for each zone
- Ⓜ LED timer for each zone with switch off function and acoustic signal
- Ⓜ Automatic pan recognition

#### ADDITIONAL FEATURES

- Ⓜ 2 stage residual heat indicators
- Ⓜ ReStart function
- Ⓜ QuickStart function
- Ⓜ Energy consumption display
- Ⓜ Safety cut out facility
- Ⓜ Control panel lock

#### OPTIONAL ACCESSORIES

- Ⓜ Only saucepans made of ferrous metal are suitable for use on this hob



## T41B30X2 Induction Hob

### DESIGN / PERFORMANCE



#### SPECIAL FEATURES

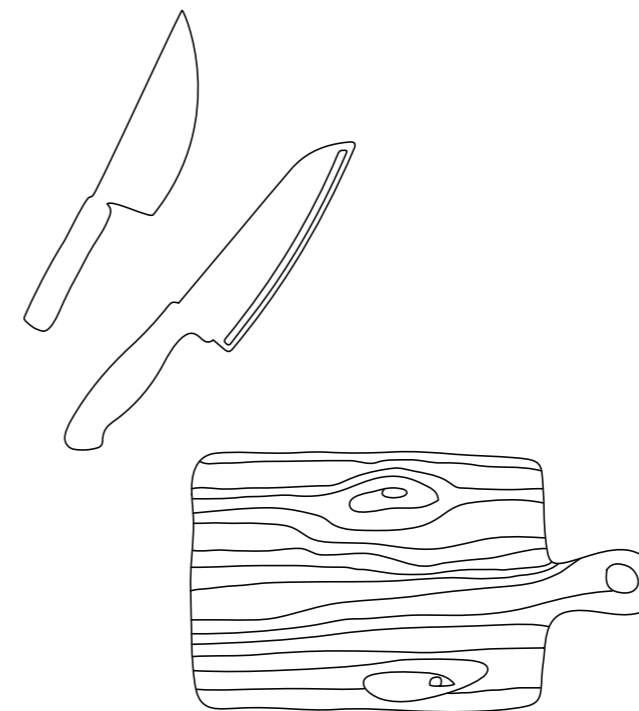
- Ⓜ Power boost for all induction zones
- Ⓜ LED display for each zone
- Ⓜ LED timer for each zone with switch off function and acoustic signal
- Ⓜ Automatic pan recognition

#### ADDITIONAL FEATURES

- Ⓜ 2 stage residual heat indicators
- Ⓜ ReStart function
- Ⓜ QuickStart function
- Ⓜ Safety cut out facility
- Ⓜ Control panel lock

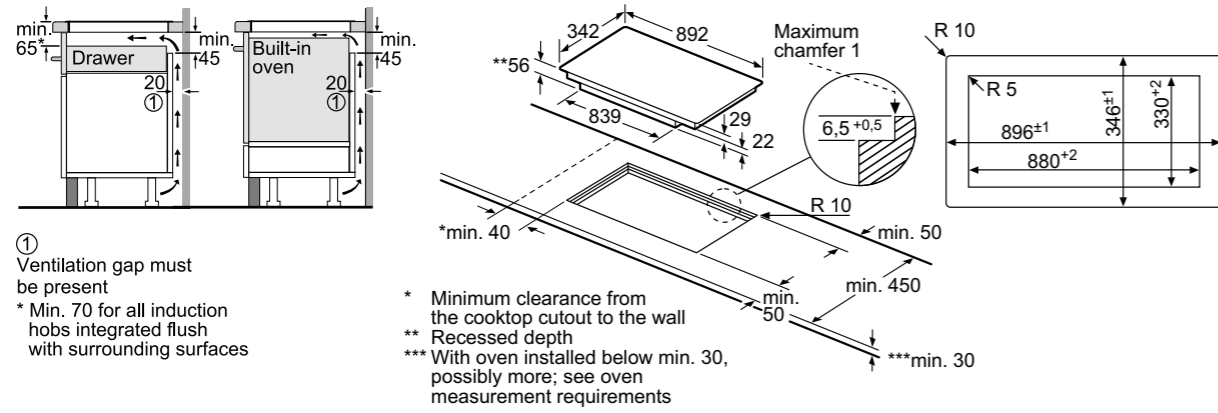
#### OPTIONAL ACCESSORIES

- Ⓜ Only saucepans made of ferrous metal are suitable for use on this hob





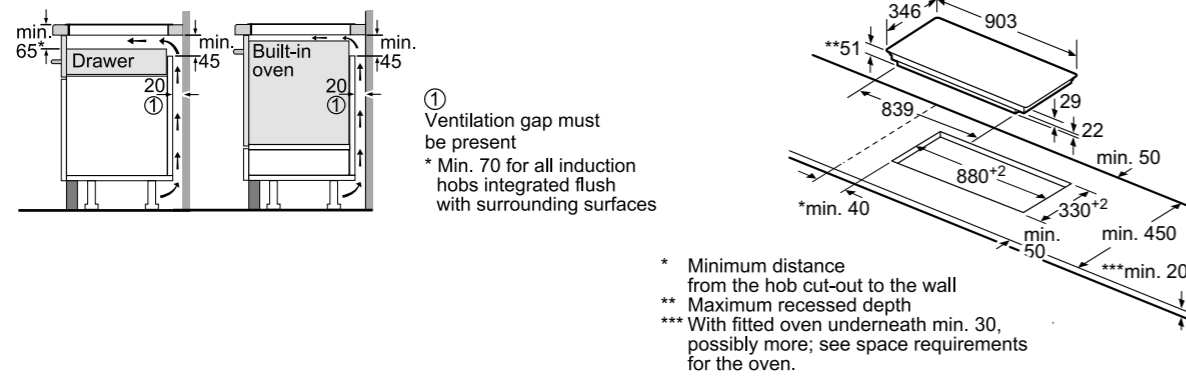
T45D90X2



① Ventilation gap must be present  
\* Min. 70 for all induction hobs integrated flush with surrounding surfaces

\* Minimum clearance from the cooktop cutout to the wall  
\*\* Recessed depth  
\*\*\* With oven installed below min. 30, possibly more; see oven measurement requirements

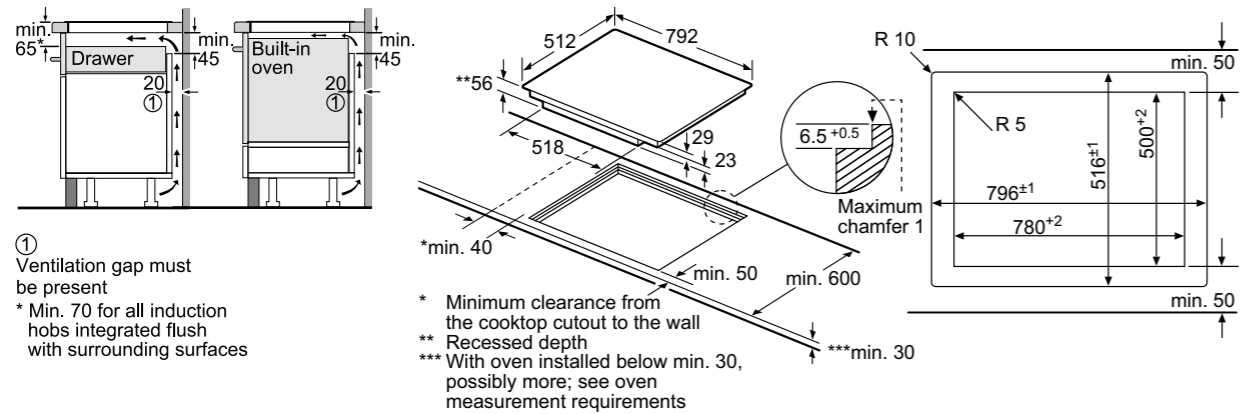
T41D90X2



① Ventilation gap must be present  
\* Min. 70 for all induction hobs integrated flush with surrounding surfaces

\* Minimum distance from the hob cut-out to the wall  
\*\* Maximum recessed depth  
\*\*\* With fitted oven underneath min. 30, possibly more; see space requirements for the oven.

T45D82X2

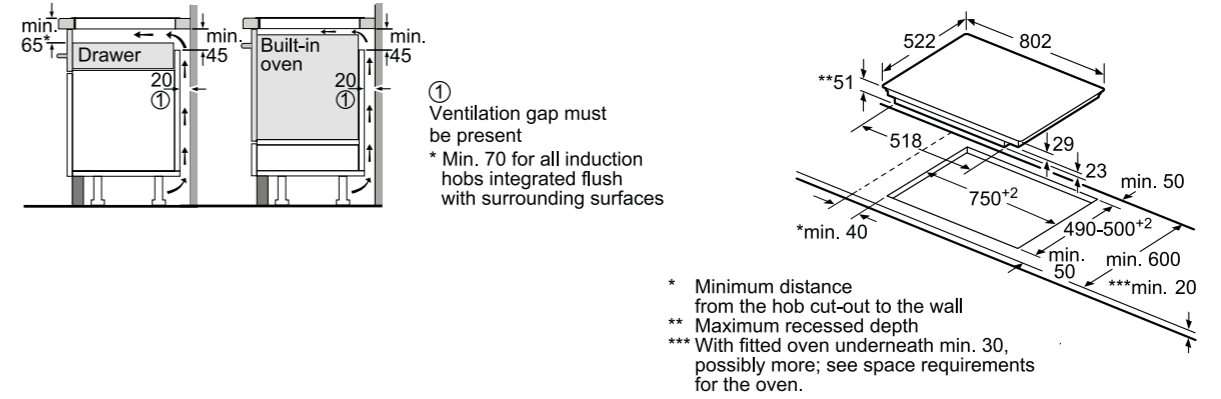


① Ventilation gap must be present  
\* Min. 70 for all induction hobs integrated flush with surrounding surfaces

\* Minimum clearance from the cooktop cutout to the wall  
\*\* Recessed depth  
\*\*\* With oven installed below min. 30, possibly more; see oven measurement requirements

Measurements in mm.  
The line drawings featured on this page are provided as a guide to general dimensions only and are subject to amendment without prior notice.  
For full dimensional and installation details please refer to the documentation supplied with the appliance.

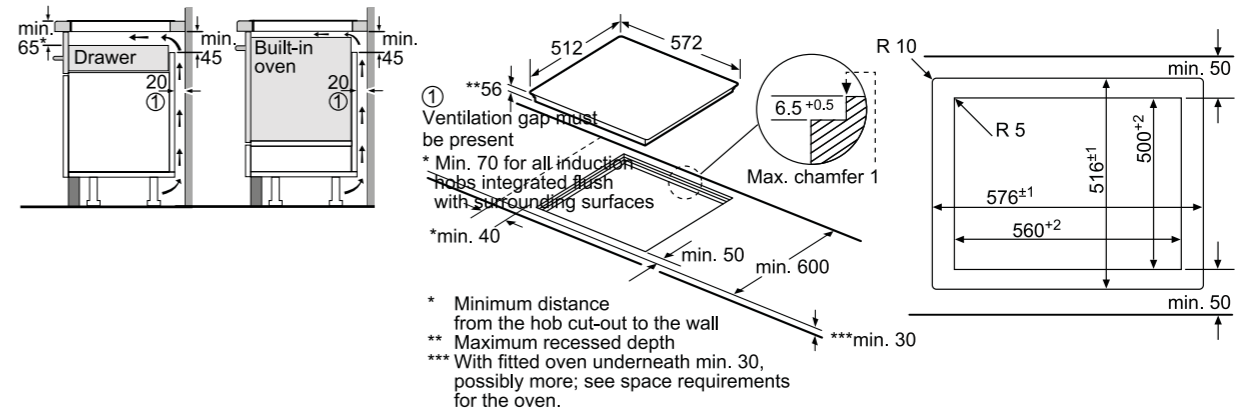
T41D82X2



① Ventilation gap must be present  
\* Min. 70 for all induction hobs integrated flush with surrounding surfaces

\* Minimum distance from the hob cut-out to the wall  
\*\* Maximum recessed depth  
\*\*\* With fitted oven underneath min. 30, possibly more; see space requirements for the oven.

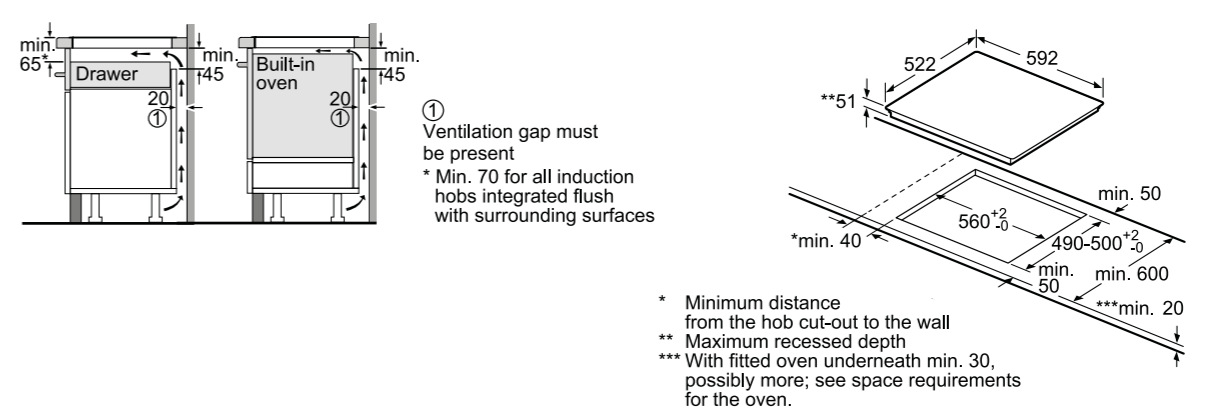
T45D40X2



① Ventilation gap must be present  
\* Min. 70 for all induction hobs integrated flush with surrounding surfaces

\* Minimum distance from the hob cut-out to the wall  
\*\* Maximum recessed depth  
\*\*\* With fitted oven underneath min. 30, possibly more; see space requirements for the oven.

T41D40X2, T41B30X2, T40B31X2GB



① Ventilation gap must be present  
\* Min. 70 for all induction hobs integrated flush with surrounding surfaces

\* Minimum distance from the hob cut-out to the wall  
\*\* Maximum recessed depth  
\*\*\* With fitted oven underneath min. 30, possibly more; see space requirements for the oven.

Measurements in mm.  
The line drawings featured on this page are provided as a guide to general dimensions only and are subject to amendment without prior notice.  
For full dimensional and installation details please refer to the documentation supplied with the appliance.



# CLEAN AND CONTEMPORARY

Fast, easy to clean and beautifully flush, our premium ceramic hobs are incredibly easy to use with FullTouchControl operation.

## T11D83X2 Extra Wide Ceramic Hob

### DESIGN / PERFORMANCE



#### SPECIAL FEATURES

- 2 dual zones
- 1 extendable zone
- LED display for each zone
- LED timer for each zone with switch off function and acoustic signal
- 2 stage residual heat indicators

#### ADDITIONAL FEATURES

- Keep warm function
- Safety cut out facility
- Control panel lock



## CERAMIC HOBS



### Create a stylish, flush cook-top

With a stylish black ceramic effect, a NEFF ceramic hob sits flush with your work surface to provide a sleek and flexible cook-top area. Featuring Quick-Light cooking zones and pre-defined cooking areas which respond to your cookware, our ceramic hobs are created with everyday cooking styles in mind.



## T11D41X2 Ceramic Hob

### DESIGN / PERFORMANCE

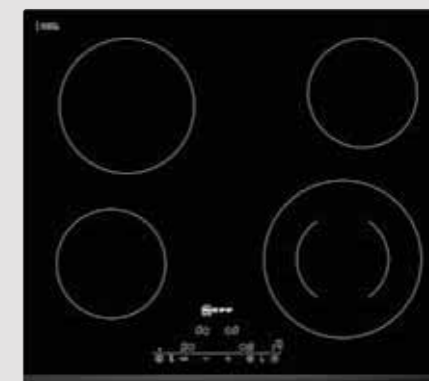


#### SPECIAL FEATURES

- 1 dual zone
- LED display for each zone
- LED timer for each zone with switch off function and acoustic signal
- 2 stage residual heat indicators

#### ADDITIONAL FEATURES

- Keep warm function
- Safety cut out facility
- Control panel lock



## T10B40X2 Ceramic Hob

### DESIGN / PERFORMANCE

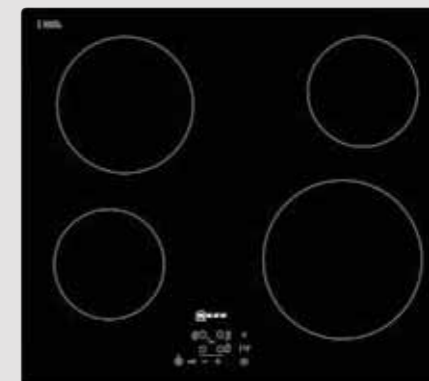


#### SPECIAL FEATURES

- LED display for each zone
- LED timer for each zone with switch off function and acoustic signal
- 2 stage residual heat indicators

#### ADDITIONAL FEATURES

- Safety cut out facility
- Control panel lock



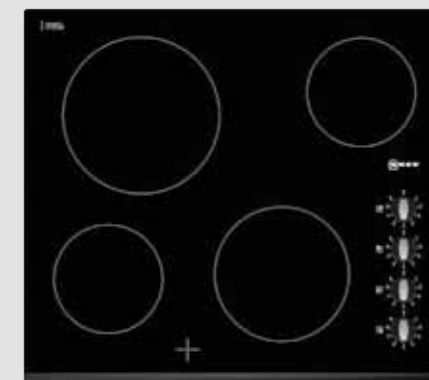
## T11K40X2 Ceramic Hob

### DESIGN / PERFORMANCE



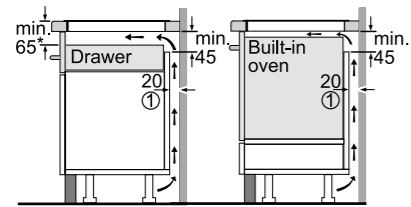
#### SPECIAL FEATURES

- 4-stage residual-heat indicator

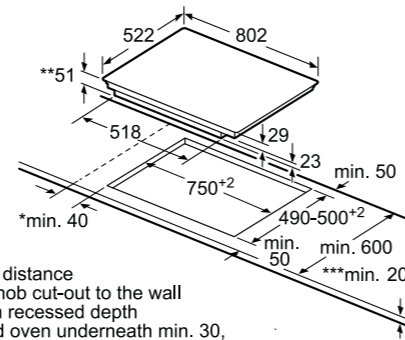




T11D83X2

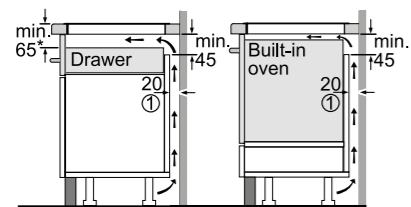


① Ventilation gap must be present  
\* Min. 70 for all induction hobs integrated flush with surrounding surfaces

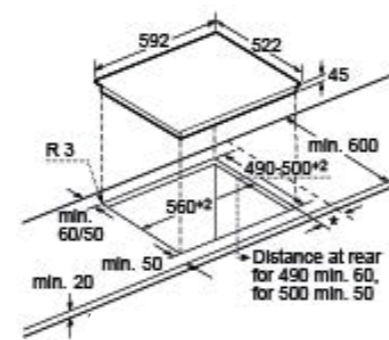


\* Minimum distance from the hob cut-out to the wall  
\*\* Maximum recessed depth  
\*\*\* With fitted oven underneath min. 30, possibly more; see space requirements for the oven.

T11D41X2, T10B40X2, T11K40X2



① Ventilation gap must be present  
\* Min. 70 for all induction hobs integrated flush with surrounding surfaces



The minimum distance from the hob cut-out to the wall is 70 mm

Measurements in mm.  
The line drawings featured on this page are provided as a guide to general dimensions only and are subject to amendment without prior notice.  
For full dimensional and installation details please refer to the documentation supplied with the appliance.

# WHEN ONLY COOKING ON GAS WILL DO.

Searing, boiling and flambéing on flames resonates with the primal cook in all of us. NEFF gas hobs combine the style and reliability that cooks expect from this popular method of cooking. Browse the range to find a size and style which reflects your way of cooking.

**T69S76N0**  
Extra Wide Gas Hob

DESIGN / PERFORMANCE



SPECIAL FEATURES

- Ⓞ Dual control, 6.0kW wok burner
- Ⓞ 1 high speed, 2 standard and 1 economy burner
- Ⓞ Low profile, 1 piece burners
- Ⓞ 2-piece cast iron pan supports
- Ⓞ 1 black cast iron pan support for the wok burner
- Ⓞ Ignition via control knob

ADDITIONAL FEATURES

- Ⓞ Flame failure safety device

STANDARD ACCESSORIES

- Ⓞ Wok pan support
- Ⓞ LPG jets (28-30/37mbar) included

OPTIONAL ACCESSORIES

- Ⓞ May be connected with NEFF domino hobs via connecting links Z9914X0



## GAS HOBS



### A true favourite amongst passionate cooks

Offering burner positioning which suits your cooking style, our gas hobs provide a robust and reliable solution for contemporary kitchens. Allowing you to physically see when more or less heat is directed to your cooking, gas remains a popular choice for passionate cooks with exacting standards. With sturdy cast iron pan supports for all of your favourite cookware, simply remove the supports once cool to easily clean the ceramic glass surface.



For detailed specification on these models go to page 114.

THE NEFF OVEN COLLECTIONS

HOBS

VENTILATION

REFRIGERATION

DISHWASHING

LAUNDRY



## T69S86N0

Extra Wide Gas Hob

### DESIGN / PERFORMANCE



#### SPECIAL FEATURES

- Dual control, 6.0kW wok burner
- 1 high speed, 2 standard and 1 economy burner
- Low profile, 1 piece burners
- 2-piece cast iron pan supports
- 1 black cast iron pan support for the wok burner
- Ignition via control knob

#### ADDITIONAL FEATURES

- Flame failure safety device

#### STANDARD ACCESSORIES

- Wok pan support
- LPG jets (28-30/37mbar) included

#### OPTIONAL ACCESSORIES

- May be connected with NEFF domino hobs via connecting links Z9914X0



## T29S96N1

Extra Wide Gas Hob

### DESIGN / PERFORMANCE



#### SPECIAL FEATURES

- 2 standard, 2 economy and 2 3.3kW wok burners
- 3-piece black cast iron pan supports with protective rubber feet
- Black glass control panel
- Ignition via control knob

#### ADDITIONAL FEATURES

- Flame failure safety device

#### STANDARD ACCESSORIES

- LPG jets (28-30/37mbar) included

#### OPTIONAL ACCESSORIES

- Wok pan support for round based wok pans Z2470X0



## T67S76N1

Extra Wide Gas Hob

### DESIGN / PERFORMANCE



#### SPECIAL FEATURES

- Dual control, 4.2kW wok burner
- 1 high speed, 2 standard and 1 economy burner
- Low profile, 1 piece burners
- 2-piece black cast iron pan supports with protective rubber feet
- Ignition via control knob

#### ADDITIONAL FEATURES

- Flame failure safety device

#### STANDARD ACCESSORIES

- Wok pan support
- LPG jets (28-30/37mbar) included

#### OPTIONAL ACCESSORIES

- May be connected with NEFF domino hobs via connecting links Z9914X0



## T26S56N0

Extra Wide Gas Hob

### DESIGN / PERFORMANCE



#### SPECIAL FEATURES

- 1 high speed, 2 standard, 1 economy and 1 4.0kW wok burner
- 2-piece black cast iron pan supports with protective rubber feet
- Black glass control panel
- Ignition via control knob

#### ADDITIONAL FEATURES

- Flame failure safety device

#### STANDARD ACCESSORIES

- LPG jets (28-30/37mbar) included

#### OPTIONAL ACCESSORIES

- Wok pan support for round based wok pans Z2471X0



## T63S46S1

Extra Wide Gas Hob

### DESIGN / PERFORMANCE



#### TWO INSTALLATION OPTIONS AVAILABLE



#### SPECIAL FEATURES

- 4.0kW wok burner
- 1 high speed, 2 standard and 2 economy burners
- 5-piece black cast iron pan supports
- Ignition via control knob

#### ADDITIONAL FEATURES

- Flame failure safety device

#### STANDARD ACCESSORIES

- LPG jets (28-30/37mbar) included

#### OPTIONAL ACCESSORIES

- Wok pan support for round based wok pans Z2471X0



## T25S76N0

Extra Wide Gas Hob

### DESIGN / PERFORMANCE



#### SPECIAL FEATURES

- 1 high speed, 2 standard, 1 economy and 1 4.0kW wok burner
- 2-piece black cast iron pan supports with protective rubber feet
- Ignition via control knob

#### ADDITIONAL FEATURES

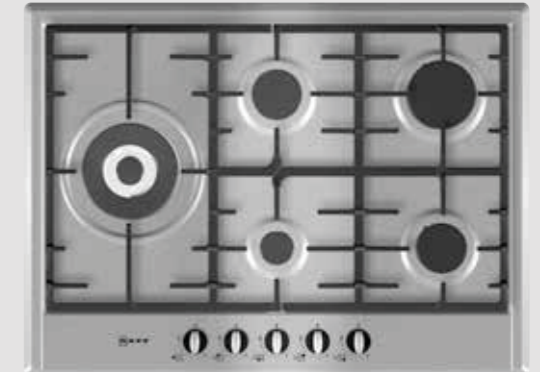
- Flame failure safety device

#### STANDARD ACCESSORIES

- LPG jets (28-30/37mbar) included

#### OPTIONAL ACCESSORIES

- Wok pan support for round based wok pans Z2471X0





**T25S56NOGB**  
Extra Wide Gas Hob

ALSO AVAILABLE: **T25S56SO**  
(Black)

**DESIGN / PERFORMANCE**



**SPECIAL FEATURES**

- 2-piece black cast iron pan supports with protective rubber feet
- 1 high speed, 2 standard, 2 economy and 1 4.0kW wok burner
- Ignition via control knob

**ADDITIONAL FEATURES**

- Flame failure safety device

**STANDARD ACCESSORIES**

- LPG jets (28-30/37mbar) included

**OPTIONAL ACCESSORIES**

- Wok pan support for round based wok pans Z2471X0



**T23S36NOGB**  
Gas Hob

**DESIGN / PERFORMANCE**



**SPECIAL FEATURES**

- 1 high speed, 2 standard and 1 economy burner
- 2-piece black cast iron pan supports with protective rubber feet
- Ignition via control knob

**ADDITIONAL FEATURES**

- Flame failure safety device

**STANDARD ACCESSORIES**

- LPG jets (28-30/37mbar) included



**T66S66NO**  
Gas Hob

**DESIGN / PERFORMANCE**



**SPECIAL FEATURES**

- Low profile, 1 piece burners
- 1 high speed, 2 standard and 1 economy burner
- 2-piece black cast iron pan supports with protective rubber feet
- Ignition via control knob

**ADDITIONAL FEATURES**

- Flame failure safety device

**STANDARD ACCESSORIES**

- LPG jets (28-30/37mbar) included

**OPTIONAL ACCESSORIES**

- May be connected with NEFF domino hobs via connecting links Z9914X0



**T22S46NO**  
Gas Hob

**DESIGN / PERFORMANCE**



**SPECIAL FEATURES**

- 1 high speed, 1 standard, 1 economy and 1 3.3kW wok style burner
- 2-piece black cast iron pan supports with protective rubber feet
- Ignition via control knob

**ADDITIONAL FEATURES**

- Flame failure safety device

**STANDARD ACCESSORIES**

- LPG jets (28-30/37mbar) included

**OPTIONAL ACCESSORIES**

- Wok pan support for round based wok pans Z2472X0



**T62S26S1**  
Gas Hob

**DESIGN / PERFORMANCE**



TWO INSTALLATION  
OPTIONS AVAILABLE



**SPECIAL FEATURES**

- 1 high speed, 2 standard and 1 economy burner
- 4-piece black cast iron pan supports
- Ignition via control knob

**ADDITIONAL FEATURES**

- Flame failure safety device

**STANDARD ACCESSORIES**

- LPG jets (28-30/37mbar) included



**T22S36S0**  
Gas Hob

ALSO AVAILABLE: **T22S36W0**  
(White)

**DESIGN / PERFORMANCE**



**SPECIAL FEATURES**

- 1 high speed, 2 standard and 1 economy burner
- 2-piece black cast iron pan supports with protective rubber feet
- Ignition via control knob

**ADDITIONAL FEATURES**

- Flame failure safety device

**STANDARD ACCESSORIES**

- LPG jets (28-30/37mbar) included

**OPTIONAL ACCESSORIES**

- Wok pan support for round based wok pans Z2472X0





## T26CR48S0 Gas Hob

### DESIGN / PERFORMANCE



#### SPECIAL FEATURES

- 1 high speed, 2 standard and 1 economy burners
- 2-piece burners
- 2-piece steel pan supports
- Ignition via control dials (push & turn)
- Pre-set for natural gas

#### ADDITIONAL FEATURES

- Flame failure safety device

#### STANDARD ACCESSORIES

- LPG jets: 28-30/37mbar

#### OPTIONAL ACCESSORIES

- Wok pan support for round based wok pans Z2472X0



## T26BR56N0 Gas Hob

### DESIGN / PERFORMANCE



#### SPECIAL FEATURES

- 2 standard, 1 economy and 1 wok style burner
- 2-piece burners
- 2-piece cast iron finish pan supports
- Ignition via control dials (push & turn)
- Pre-set for natural gas

#### ADDITIONAL FEATURES

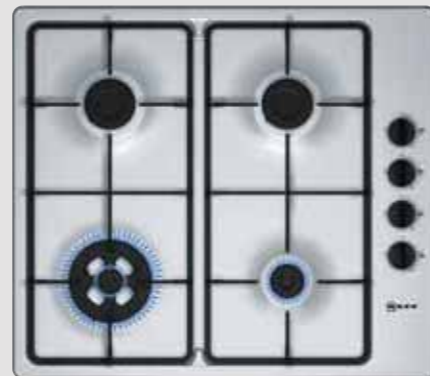
- Flame failure safety device

#### STANDARD ACCESSORIES

- LPG jets: 28-30/37mbar

#### OPTIONAL ACCESSORIES

- Wok pan support accessory Z2470X0



## T26BR46N0 Gas Hob

ALSO AVAILABLE: T26BR46S0 (Black) T26BR46W0 (White)

### DESIGN / PERFORMANCE



#### SPECIAL FEATURES

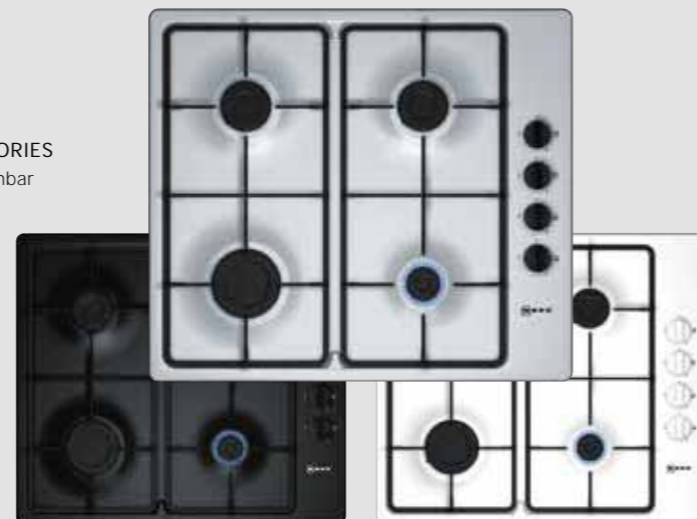
- 1 high speed, 2 standard and 1 economy burner
- 2-piece burners
- 2-piece cast iron finish pan supports
- Ignition via control dials (push & turn)
- Pre-set for natural gas

#### ADDITIONAL FEATURES

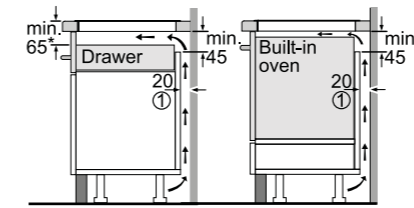
- Flame failure safety device

#### STANDARD ACCESSORIES

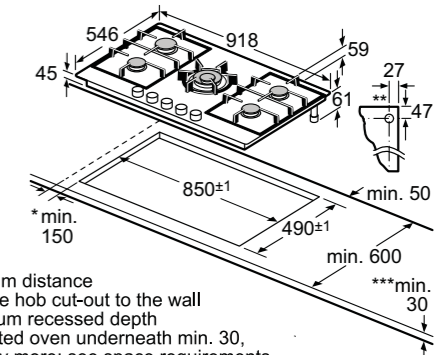
- LPG jets: 28-30/37mbar



## T69S76N0, T69S86N0

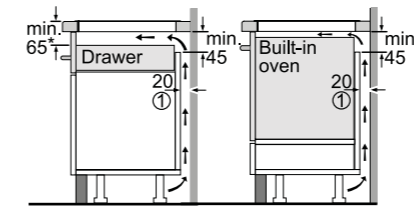


- ① Ventilation gap must be present
- \* Min. 70 for all induction hobs integrated flush with surrounding surfaces

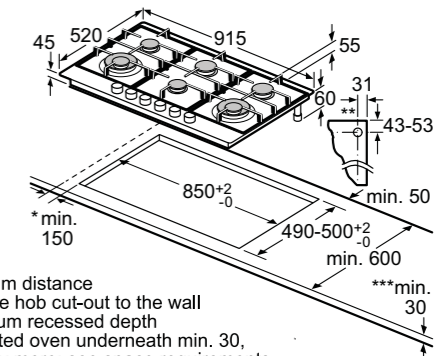


- \* Minimum distance from the hob cut-out to the wall
- \*\* Maximum recessed depth
- \*\*\* With fitted oven underneath min. 30, possibly more; see space requirements for the oven.

## T29S96N1

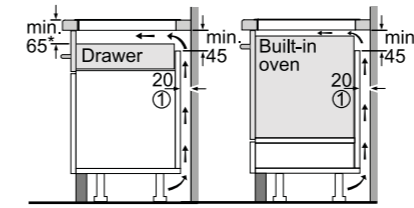


- ① Ventilation gap must be present
- \* Min. 70 for all induction hobs integrated flush with surrounding surfaces

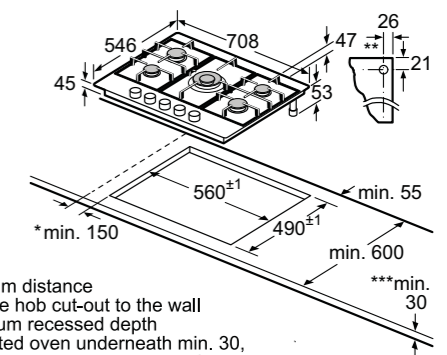


- \* Minimum distance from the hob cut-out to the wall
- \*\* Maximum recessed depth
- \*\*\* With fitted oven underneath min. 30, possibly more; see space requirements for the oven.

## T67S76N1, T63S46S1

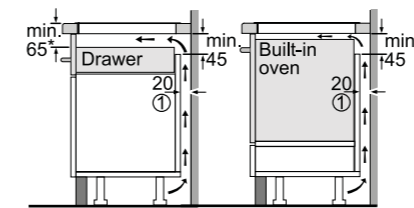


- ① Ventilation gap must be present
- \* Min. 70 for all induction hobs integrated flush with surrounding surfaces

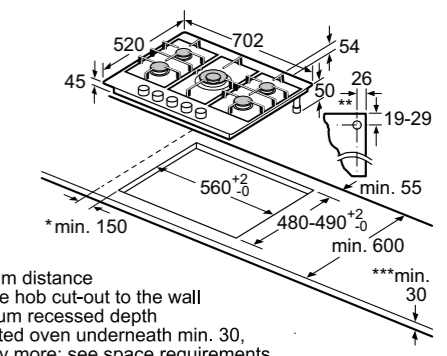


- \* Minimum distance from the hob cut-out to the wall
- \*\* Maximum recessed depth
- \*\*\* With fitted oven underneath min. 30, possibly more; see space requirements for the oven.

## T26S56N0, T25S76N0, T25S56N0GB, T25S56S0



- ① Ventilation gap must be present
- \* Min. 70 for all induction hobs integrated flush with surrounding surfaces

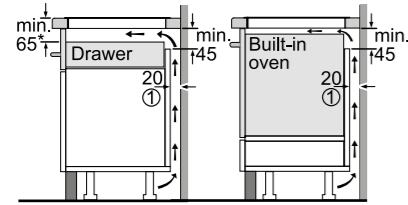


- \* Minimum distance from the hob cut-out to the wall
- \*\* Maximum recessed depth
- \*\*\* With fitted oven underneath min. 30, possibly more; see space requirements for the oven.

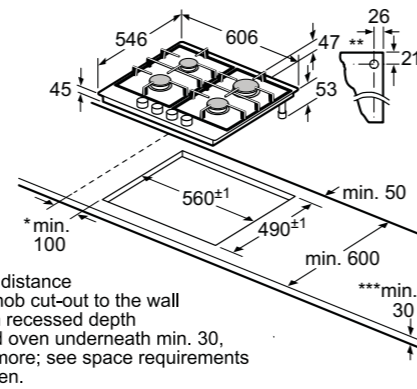
Measurements in mm.  
The line drawings featured on this page are provided as a guide to general dimensions only and are subject to amendment without prior notice.  
For full dimensional and installation details please refer to the documentation supplied with the appliance.



T66S66N0

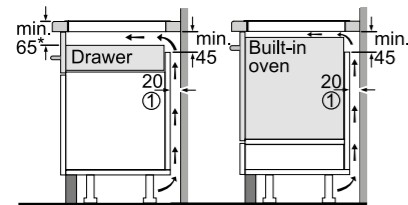


① Ventilation gap must be present  
\* Min. 70 for all induction hobs integrated flush with surrounding surfaces

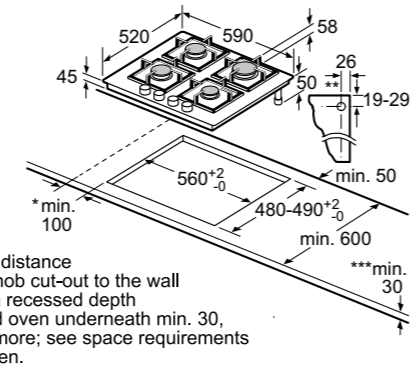


\* Minimum distance from the hob cut-out to the wall  
\*\* Maximum recessed depth  
\*\*\* With fitted oven underneath min. 30, possibly more; see space requirements for the oven.

T62S26S1, T26CR48S0

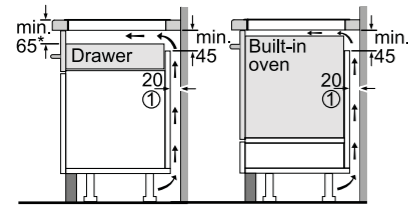


① Ventilation gap must be present  
\* Min. 70 for all induction hobs integrated flush with surrounding surfaces

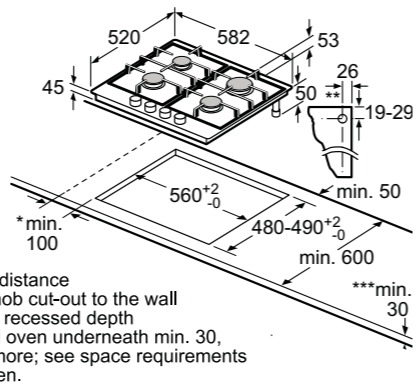


\* Minimum distance from the hob cut-out to the wall  
\*\* Maximum recessed depth  
\*\*\* With fitted oven underneath min. 30, possibly more; see space requirements for the oven.

T23S36NOGB, T22S46N0, T22S36S0, T22S36W0

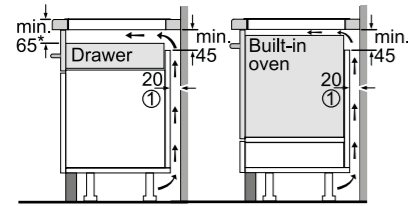


① Ventilation gap must be present  
\* Min. 70 for all induction hobs integrated flush with surrounding surfaces

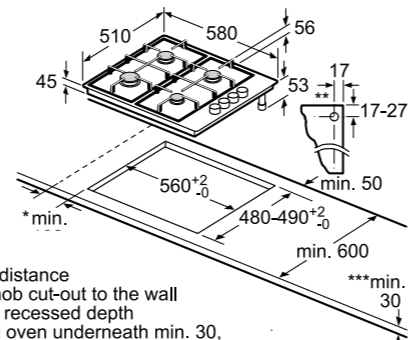


\* Minimum distance from the hob cut-out to the wall  
\*\* Maximum recessed depth  
\*\*\* With fitted oven underneath min. 30, possibly more; see space requirements for the oven.

T26BR56N0, T26BR46N0, T26BR46S0, T26BR46W0



① Ventilation gap must be present  
\* Min. 70 for all induction hobs integrated flush with surrounding surfaces



\* Minimum distance from the hob cut-out to the wall  
\*\* Maximum recessed depth  
\*\*\* With fitted oven underneath min. 30, possibly more; see space requirements for the oven.

Measurements in mm.  
The line drawings featured on this page are provided as a guide to general dimensions only and are subject to amendment without prior notice.  
For full dimensional and installation details please refer to the documentation supplied with the appliance.

N54D30N2  
FlexInduction Domino Hob

DESIGN / PERFORMANCE



SPECIAL FEATURES

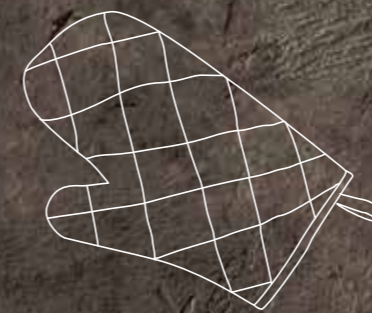
- Boost function
- Electronic power level display
- LED timer with switch-off function
- Automatic pan recognition
- 2 stage residual heat indicator
- Control panel lock
- Can be installed with a Neff domino hob

ADDITIONAL FEATURES

- Safety cut-out facility
- OPTIONAL ACCESSORIES
- Connecting links for installation with domino hob Z9914X0
  - Only saucepans made of ferrous metal are suitable for use on this hob

COMPLETE FLEXIBILITY FOR TRULY CREATIVE COOKS

When only a custom design will do, our Domino hobs offer the ultimate bespoke solution. Combine with our Domino hoods (page 134) to complete the look.



## DOMINO HOBS



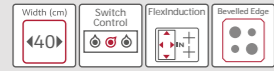
Mix and match your own unique cook top

NEFF Domino hobs allow you to combine different cooking zones to create a hob which reflects how you like to cook. With the option to mix and match our gas, FlexInduction and Teppan Yaki domino hobs, cooking variety is made possible without taking up too much of your work surface. Offering a contemporary Japanese-inspired mode of cooking, our Teppan Yaki domino hob is designed for direct contact cooking. Ideal for fish, meat and vegetables, try combining with a gas or induction hob to create a truly creative cooktop.



## N54K40NO Teppan Yaki

### DESIGN / PERFORMANCE



#### SPECIAL FEATURES

- Electronic power level display
- Stainless steel cooking surface
- Residual heat indicators
- Can be installed with a Neff domino hob

#### ADDITIONAL FEATURES

- Safety cut-out facility

#### STANDARD ACCESSORIES

- Removable ceramic glass cover
- Teppan Yaki spatula

#### OPTIONAL ACCESSORIES

- Connecting links for installation with domino hob Z9914X0



## N24K35NO Gas Domino Hob

### DESIGN / PERFORMANCE



#### SPECIAL FEATURES

- 1-piece low profile burner
- 1 cast iron pan support
- Variable power levels
- Can be installed with a Neff domino hob
- Pre-set for natural gas

#### ADDITIONAL FEATURES

- Flame failure safety cut-out facility

#### STANDARD ACCESSORIES

- LPG jets: 28-30/37mbar
- Wok pan support

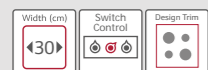
#### OPTIONAL ACCESSORIES

- Connecting links for installation with domino hob Z9914X0



## N14K30N2 Quick-Light Domino Hob

### DESIGN / PERFORMANCE

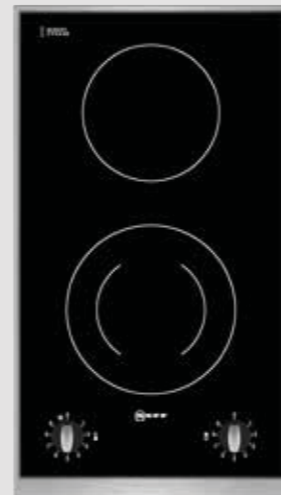


#### SPECIAL FEATURES

- 1 dual zone
- 2 quick light zones
- 2 stage residual heat indicators

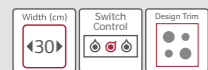
#### OPTIONAL ACCESSORIES

- Connecting links for installation with domino hob Z9914X0



## N24K30NO Gas Domino Hob

### DESIGN / PERFORMANCE



#### SPECIAL FEATURES

- Flame failure safety cut-out facility
- 1-piece low profile burner
- 1 cast iron pan support
- Variable power levels
- Can be installed with a Neff domino hob
- Pre-set for natural gas

#### ADDITIONAL FEATURES

- Flame failure safety cut-out facility

#### STANDARD ACCESSORIES

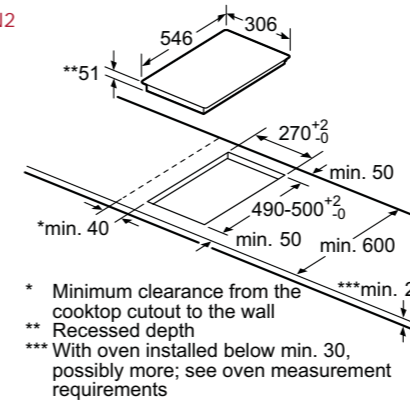
- LPG jets: 28-30/37mbar

#### OPTIONAL ACCESSORIES

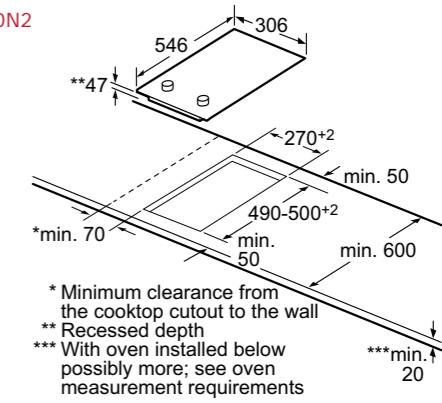
- Connecting links for installation with domino hob Z9914X0



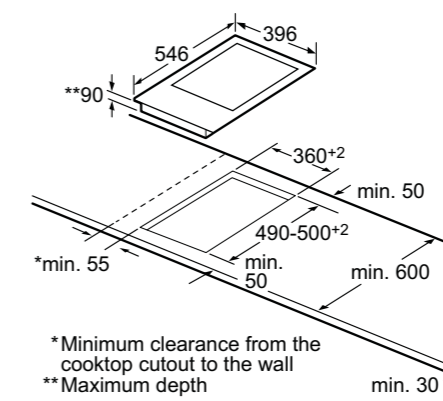
### N54D30N2



### N14K30N2

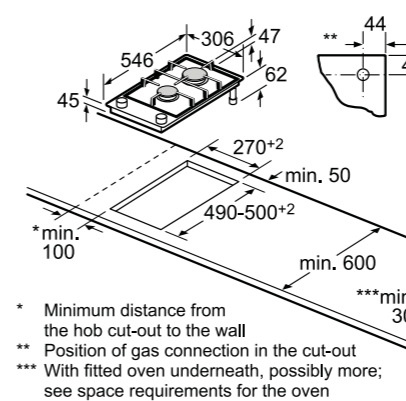


### N54K40NO

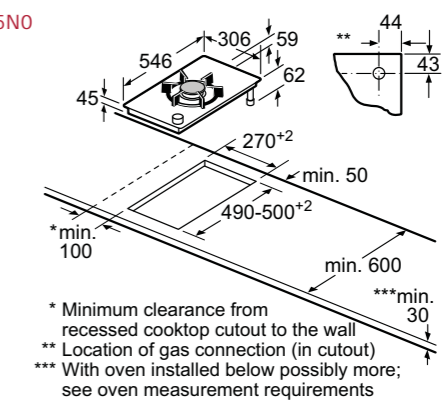


### N24K30NO

Measurements in mm. The line drawings featured on this page are provided as a guide to general dimensions only and are subject to amendment without prior notice. For full dimensional and installation details please refer to the documentation supplied with the appliance.



### N24K35NO









## GAS HOB SPECIFICATIONS

MODEL NO. / COLOUR		T69S76N0	T69S86N0	T67S76N1	T63S46S1	T29S96N1	T26S56N0
Stainless steel/stainless steel rim		T69S76N0				T29S96N1	T26S56N0
Black			T69S86N0	T67S76N1	T63S46S1		
White							
Partner product							
DESCRIPTION							
Hob type		Ceramic glass	Ceramic glass	Ceramic glass	Tempered glass	Stainless steel	Stainless steel
Hob width mm		918	918	708	710	915	702
Number of cooking zones		5	5	5	5	6	5
FEATURES							
Number of wok style burners		1	1	1	1	2	1
Dual control wok burner		●	●	●			
Flame control							
Automatic recognition							
Flame failure safety notice		●	●	●	●	●	●
1-stage residual heat indicator							
Warning lights							
Burners		1-piece low profile	1-piece low profile	1-piece low profile	2-piece	2-piece	2-piece
Pan supports		3 x cast iron	3 x cast iron	2 x cast iron	5 x cast iron	3 x cast iron	2 x cast iron
Ignition via control dials (push & turn)		●	●	●	●	●	●
Can be installed with Neff domino hob		●	●	●			
Pre-set for natural gas		●	●	●	●	●	●
DESIGN							
Trim		Design trim	Design trim	Design trim	Frameless or flushline		
Glass control panel insert						●	●
Controls		Front	Front	Front	Front	Front	Front
STANDARD ACCESSORIES							
LPG jets		28-30/37mbar	28-30/37mbar	28-30/37mbar	28-30/37mbar	28-30/37mbar	28-30/37mbar
Wok pan support		●	●	●			
OPTIONAL ACCESSORIES							
Connecting links for installation with domino hob		Z9914X0	Z9914X0	Z9914X0			
Wok pan support accessory					Z2471X0	Z2471X0	Z2471X0
TECHNICAL INFORMATION							
Left /front zone power kW		1.1	6.0	1.9	1.0	3.3	1.0
Back/Back left/Centre left zone power kW		2.8		1.9	1.7	1.0	1.7
Centre/Centre zone power kW		6.0	1.9	4.2	4.0	1.0	4.0
Centre back/Centre right zone power kW			1.1			1.7	
Front/Front right zone power kW		1.9	1.9	1.1	1.7	3.3	1.7
Right/Back right zone power kW		1.9	2.8	2.8	3.0	1.7	3.0
Maximum gas power output load W		13700	13700	11950	11400	12000	11400
Total connected electrical load W		0.6	0.6	0.6	0.6	0.6	0.6
Cable length cm		150	150	100	100	150	100
13 amp GB plug							

## GAS HOB SPECIFICATIONS

T25S76N0	T25S56N0GB T25S56S0	T66S66N0	T62S26S1	T23S36N0GB	T22S46N0 T22S36S0 T22S36W0	T26CR48S0	T26BR56N0	T26BR46N0 T26BR46S0 T26BR46W0
Stainless steel	Stainless steel	Ceramic glass	Tempered glass	Stainless steel	Stainless steel	Tempered glass	Stainless steel	Stainless steel/ enamel
702	702	606	590	582	582	590	580	580
5	5	4	4	4	4	4	4	4
1	1						1	
●	●	●	●	●	●	●	●	●
2-piece	2-piece	1-piece low profile	2-piece	2-piece	2-piece	2-piece	2-piece	2-piece
2 x cast iron	2 x cast iron	2 x cast iron	2 x cast iron	2 x cast iron	2 x cast iron	2-piece 2 x enamelled steel	2 x cast iron	2 x cast iron
●	●	●	●	●	●	●	●	●
●	●	●	●	●	●	●	●	●
		Design trim	Frameless or flushline					
Front	Front	Front	Front	● Front	Front	Side	Side	Side
28-30/37mbar	28-30/37mbar	28-30/37mbar	28-30/37mbar	28-30/37mbar	28-30/37mbar	28-30/37mbar	28-30/37mbar	28-30/37mbar
		Z9914X0						
Z2471X0	Z2471X0				Z2471X0		Z2472X0	
	1.0	1.9	1.7	1.7	1.7	1.7	3.3	3.0
4.0	1.7	1.1	1.7	1.7	1.7	1.7	1.7	1.7
1.0	4.0							
1.7								
1.7	1.7	1.9	1.0	1.0	1.0	1.0	1.0	1.0
3.0	3.0	2.8	3.0	3.0	3.0	1.7	1.7	1.7
11400	11400	7700	7400	7400	7400	7400	7700	7400
0.6	0.6	0.6	0.6	0.6	0.6	0.6	0.6	0.6
100	100	100	100	100	100	100	100	100



# DOMINO HOB SPECIFICATIONS

MODEL NO. / COLOUR	N54D30N2	N54K40N0	N14K30N2	N24K30N0	N24K35N0
Black glass, stainless steel trim or stainless steel					
Partner product	•				
<b>DESCRIPTION</b>					
Hob type	FlexInduction	Teppan Yaki	QuickLight	Gas domino	Gas domino wok
Hob width mm	306	396	306	306	306
Number of cooking zones	2	2	2	2	1
<b>FEATURES</b>					
FlexInduction zones	1				
Number of dual extendable warming zones			1		
Number of warming zones (non-induction)			2		
Boost setting					
Electronic power level display	•	•			
Boost setting for induction zones	•				
LED timer for all zones with switch-off function and acoustic signal	•				
Automatic pan recognition	•				
Stainless steel cooking surface		•			
Residual heat indicators	•	•	•		
Safety cut-out facility	•				
Gas burners				Flame failure	Flame failure
Pan supports				1-piece low profile	1-piece low profile
Control panel suspension	•			1 x cast iron	1 x cast iron
Number of power levels	17	12	9	Variable	Variable
Can be installed with a Neff domino hob	•	•	•	•	•
Pre-set for natural gas				•	•
<b>DESIGN</b>					
Trim	Design trim	Design trim	Design trim	Design trim	Design trim
Touch control	•				
Control dials		Front		Front	Front
<b>STANDARD ACCESSORIES</b>					
Removable ceramic glass cover		•			
Teppan Yaki spatula		•			
LPG jets				28-30/37mbar	28-30/37mbar
Wok pan support					•
<b>OPTIONAL ACCESSORIES</b>					
Connecting links for installation with domino hob	Z9914X0	Z9914X0	Z9914X0	Z9914X0	Z9914X0
4-piece induction saucepan set	Z9442X0				
Griddle plate	Z9416X2				
Teppan Yaki	Z9417X2				
Oval roaster	Z9410X1				
Steam rack	Z9415X1				
<b>TECHNICAL INFORMATION</b>					
Centre zones FlexInduction connected	3.3 760cm <sup>2</sup>				
Back/Back zone left power & diameter kW & mm				2.8	
Centre zone power & diameter kW & mm		0.95 344x292	08.2 120x180		6.0
Centre back zone power & diameter kW & mm		0.95 344x292	1.2 145		
Front centre zone power & diameter kW & mm	2 190x200				
Back centre zone power & diameter kW & mm	2 190x200				
Front/Front right zone power & diameter kW & mm				1.9	
Back right zone power & diameter kW & mm					
Total connected electrical load W	3600	1900	3200	0.6	0.6
Connection current management <sup>1</sup>					
Cable length cm	110	100	100	100	100
13 amp GB plug					



All models comply with COMMISSION REGULATION (EC) No 1275/2008 with regard to ecodesign requirements for standby and off mode electric power consumption. 14.6kW power output (20A); Current management options for 16A, 13A or 10A connection.





# EXTRACTOR HOODS



## The finishing touch to the perfect kitchen

NEFF hoods are designed to cater for every Cookaholic's kitchen. Efficient, quiet and equipped with built-in lighting, the design and placement of your hood can be as flexible as your living space.

ENERGY EFFICIENT, POWERFUL AND QUIET: OUR EXTRACTOR HOODS ARE A BREATH OF FRESH AIR.

# CHOOSING A NEFF HOOD

NEFF hoods are designed to cater for every Cookaholic's kitchen. For kitchens that make a statement, our chimney hoods perfectly complement an island unit, whilst our sleek and stylish angled glass provide the ideal contemporary solution. If subtlety is key, our telescopic Slide&Hide® hoods and downdraft hoods seamlessly disappear into your kitchen units for a minimalist finish



## ISLAND CHIMNEY HOOD

Kitchen islands remain a popular choice amongst creative Cookaholics.



## ANGLED CHIMNEY HOOD

Our black glass chimney hoods perfectly coordinate with the NEFF induction and ceramic hob range.



## GLASS CHIMNEY HOOD

Stylish stainless steel design and clear glass canopy



## CHIMNEY HOOD

The focal point of any kitchen, our chimney hoods are modern and eye-catching. With a vast range of designs, each provides the ideal mix of style and performance.

## BUILT-IN

### THE DOWNDRAFT HOOD

A downdraft hood is the perfect statement piece. It flawlessly integrates into kitchen design without any compromise, producing the ideal combination of efficiency and elegance.



### THE WORKTOP DOMINO

Our Domino hood offers the ultimate flexibility in hob design. Mix and match your own cooking zones for a cook-top which truly reflects how you like to cook.



## CANOPY

Canopy hoods are designed to fit neatly under an overhead unit. They're discreet and save valuable space.



## INTEGRATED

These hoods look like they're part of the furniture. Hidden behind a unit door, they simply pull out when needed.



## CEILING HOOD

Strategically mounted in the ceiling, this hood is totally unobtrusive, but keeps the kitchen fresh and free of steam and odours. Ceiling hoods encompass the perfect combination of functionality, design and lighting.



## CONVENTIONAL

Conventional hoods fit neatly under a kitchen unit, protruding only slightly. The controls are usually positioned on the front.



## TELESCOPIC

For a smaller kitchen where space is at a premium, these clever hoods pull out from the wall when required.



# VENTILATION



Relying on natural air movement is one option, but this depends on air temperatures. In the summer, this strategy will not work particularly well. In the winter homes lose heat and can create condensation and ventilation problems – particularly within inaccessible corners of the kitchen.

The kitchen is the heart of the home, so to keep the atmosphere fresh and inviting, use a NEFF extractor hood.

The air quality in a kitchen is affected by many factors, including humidity, grease particles, smells, smoke and waste heat, so it is a good idea to make sure that 'used' air is regularly cleaned and/or replaced.

Installing a NEFF extractor hood will actively ventilate your kitchen, keeping the air fresh and clean whatever the weather or size and shape of the room. Providing good ventilation is obviously a priority, but as a hood often becomes a focal point to the room, the style and finish are equally important.

**With our CleanAir filter for recirculation mode, up to 96% of odours are removed compared with a standard recirculating filter which offers up to 70% odour reduction**



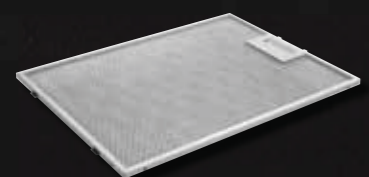
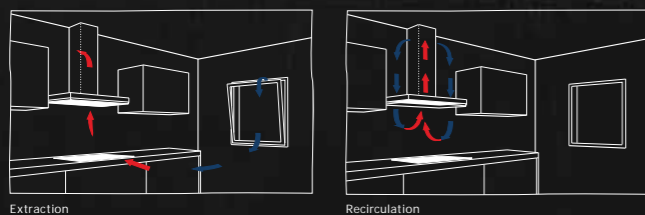
## EXTRACTION OR RECIRCULATION?

The best way to remove steam and odours is to extract the air out of the room through ducting. Unfortunately, in apartments or where the hood is too far away from an outside wall, this may not be possible. In this case, the only alternative is to recirculate the air. Stale air is sucked through a grease filter, before being purified in a charcoal filter, and then pumped back into the kitchen via an opening in the hood.

## USE THE FOLLOWING EQUATION TO CALCULATE YOUR EXTRACTION RATE:

Volume of kitchen (length x width x height)  
eg. 4m x 3m x 2.5m = 30m<sup>3</sup>

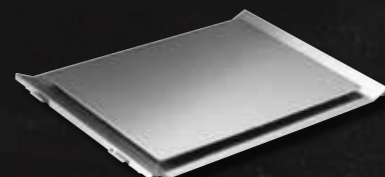
6 x volume in normal operation and 12 x volume in intensive operation.



Standard Design metal grease filter



NEFF Design metal grease filter



Rim ventilation filter

OUR METAL FILTERS ARE EXCELLENT AT REMOVING GREASE AND ODOUR PARTICLES FROM THE ATMOSPHERE.

## FILTERS

Our extractor hoods have metal grease filters as standard. These are made of non-combustible metal and are designed to last for the lifetime of the hood. Metal grease filters can be taken in and out very simply and are easy to clean by popping them in the dishwasher on a regular basis.

Chimney hoods featuring rim ventilation have metal grease filter cassettes hidden by a stainless steel plate, ensuring a streamlined appearance. Air is drawn around the outside of the stainless steel plate before being passed through the metal grease filter. Recirculation requires charcoal carbon filters to help remove unwanted odours.

# QUITE HOODS THAT WON'T DROWN OUT THE CONVERSATION



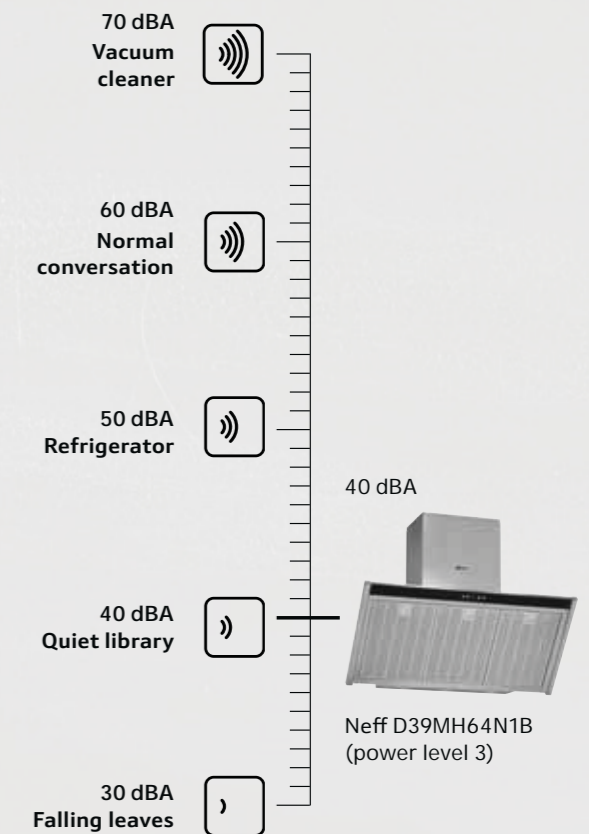
Most of our extractor hoods are exceptionally quiet, but any noise heard is determined by the length and type of ducting used and the installation surroundings. This makes it difficult to provide meaningful information on noise levels, particularly as there is no official international standard for measuring noise.

We prefer to calculate sound power, measured in dB(A) re 1pW. With this system, there are strict guidelines for room size and the number and location of microphones. This not only provides a measure to compare with other models, but a closer indication of likely noise levels once the hood is installed. We provide both the sound power and sound pressure, so that all of our extractor hoods can be compared against noise-level information supplied by other manufacturers. Given the trend towards open plan kitchens, consideration needs to be given to noise levels when planning a kitchen.

## EFFICIENT DRIVE MOTOR

Save up to 80% energy and enjoy a noise free, illuminated kitchen environment thanks to the new ultra-efficient high-speed extractor hood fan, with EfficientDrive motor technology and LED lights.

## HOW THE NEFF D39MH64N1B CHIMNEY HOOD COMPARES...



## DESIGNED WITH OPEN-PLAN LIVING IN MIND

Cookaholics focus on the food and the conversation – anything else is just unnecessary noise. Our extractor hoods are designed to be exceptionally quiet even when operating on the highest setting, perfect when you're cooking up a feast for friends. Created with open-plan living in mind, a NEFF hood won't detract from a relaxed dining/living space – even if you place your hood above or within a central island unit.



# LIGHTING



## Warm and welcoming lighting – the true mark of a NEFF kitchen

With many of our extractor hoods incorporating energy-efficient LED lighting, creating a warm, inviting space is always part and parcel of a NEFF kitchen. With a welcoming ambience and quiet extraction, our hoods are designed with sociable kitchens in mind. With the power to ventilate even the most spacious open-plan living areas, odours and steam are effectively eliminated without extraction noise drowning out the conversation

THE LIGHT CREATED BY A NEFF EXTRACTOR HOOD WILL COMPLEMENT THE WHOLE KITCHEN LIGHTING SCHEME.



### STANDARD

Standard bulbs tend to give out a warmer light than halogen bulbs. They are inexpensive and easy to get hold of and fit when they need replacing.



### HALOGEN SPOTLIGHTS

Controllable, dimmable halogen lights are small, tidy and provide crisp colour and good illumination. Halogen bulbs are also long-lasting and energy efficient.



### LED

LED lighting not only provides bright, enduring illumination for your kitchen, but is also extremely energy efficient, consuming up to 85% less energy than an equivalent five year old model with halogen lights. Our LED lighting lasts for up to 40,000 hours.

# CHOOSING A NEFF HOOD



NEFF hoods are designed to cater for every Cookaholic's kitchen. Efficient, quiet and equipped with in-built lighting, the design and placement of your hood can be as flexible as your living space. For kitchens that make a statement, our chimney hoods perfectly complement an island unit, whilst our sleek and stylish angled glass provide the ideal contemporary solution. If subtlety is key, our telescopic Slide&Hide® hoods and downdraft hoods seamlessly disappear into your kitchen units for a minimalist finish.



### SWITCH CONTROL

Our classic hoods feature simple, sleek and easy to use switch controls. These switches have a satisfying solidity about them and provide separate controls for each power level as well as the lights.



### ELECTRONIC CONTROL

Our electronically controlled hoods allow for greater control over power levels, including intensive and automatic run on and display the chosen setting on a clean, white display panel.



### TOUCH CONTROL

The new range of extractor hoods, with touch control, flawlessly complement our ovens and compact appliances for a sleek and stylish look. The high-resolution TFT display offers the maximum convenience and excellent legibility.

### USER-FRIENDLY INSTALLATION ADVICE

Ideal for island units, straightforward ceiling mounting allows you to simply plug in and get cooking. With 4 ceiling fixing points, installation is quick and non-disruptive.

### INSTALLATION

The following points should be observed for optimum ducted extraction results and low noise:

1. Ensure any pipe elbow bends are at least 30cm from the hood ducting opening.
2. Avoid reducing the diameter or area of the ducting.
3. Use wide-angled pipe elbows, but keep the number used to a minimum.
4. Only install pipes with smooth, even inner surfaces. If a flexible hose has to be used, ensure it is pulled tight to smooth out the ridges before fixing.
5. Use ducting pipes with a diameter of at least 120mm, but ideally 150mm.
6. Keep piping to a minimum – use the most direct route to an external outlet.
7. Make sure that there is an adequate supply of fresh air to replace the air ducting out of the kitchen, i.e. windows that can be opened, doors to adjacent rooms, air bricks. Problems with installation may occur if points 1-7 are not observed.

### EASY MOUNTING SYSTEM

Thanks to an easy wall-mounting system, selected hoods can be installed quickly and securely by one person. Rotating offset 'cam' fixings make it possible for positional adjustments of up to 6mm, helping to get the hood level and stable.

Not available on all our hoods.

CREATE A STATEMENT IN ANY MODERN KITCHEN WITH TOUCH CONTROL.

### EXTRACTOR HOOD FUNCTIONS

#### AUTOMATIC AFTER RUNNING

Continues running at a low speed for 3-30 minutes before turning itself off.

#### CLIMATE CONTROL

Detects the amount of steam and smells using a sensor attached to the motor, and will automatically set the most effective power level to extract it.

#### INTENSIVE SETTING

Boosts the extraction rate to the maximum level to cope with particularly demanding cooking conditions.

#### AUTOMATIC REVERT

Automatically reverts the hood back to a lower power level after approximately ten minutes of being on the intensive setting.

#### NEFF FRESH AIR

Runs an automatic air exchange programme, turning the hood onto power level one for five minutes every hour for as long as required.

#### SOFT LIGHT

Brightens or dims the lights as it's switched on or off, just press and hold to adjust the level of brightness.



# WORKTOP DOMINO HOOD

Ventilation that's as flexible as your hob

Whichever way you like to mix and match your Domino hob, NEFF Domino hoods are designed to seamlessly retract between your cooking zones for a flush, minimalist finish. With our Domino hob range designed to offer the ultimate flexibility for creative Cookaholics, we've created extraction which can handle whatever you can throw at it. From griddling on induction to frying on Teppan Yaki, steam and odours are effectively extracted by a discreet central hood.

## DESIGN AND INSTALLATION:

How do you like to cook? Our Domino hobs and downdraft hood combinations are designed to be as unique as you. NEFF Domino hoods can be placed between two zones, or, if you really want a hob with variety, it's even possible to have 2 hoods placed between three or four cooking zones. To see the domino hobs range see page 117.



# SLIDE & HIDE® TELESCOPIC HOOD

Designed with integrated kitchens in mind

With a stylish black glass panel, FullTouchControl operation and stainless steel side accents, our new-look hood perfectly complements our Slide&Hide® oven design. With the hood remaining completely hidden until you're ready to start cooking, simply push under the front of the hood to lower into position. The unique Slide&Hide® effect is achieved by purchasing an additional lowering frame Z54TL60X0 (60cm) & Z54TL90X0 (90cm) with the telescopic hood. This is compatible with the following NEFF models: D46ML54NOB, D49ML54NOB, D46PU54XOB, D49PU54XOB.

UNDERSTATED IN DESIGN,  
POWERFUL IN ACTION.

**Slide&Hide® makes its ventilation debut**

Providing the ultimate space-saving solution, our first hidden hood beautifully complements flush, integrated kitchen designs. Visit page 146 for Slide&Hide® telescopic hoods.

SLIDE&HIDE® — UNIQUE TO NEFF

NEFF's unique Slide&Hide® concept began with our innovative Slide&Hide® disappearing oven door. With a stylish design, space saving properties and a desire to get our Cookaholics closer to their cooking, the Slide&Hide® allows cooks to baste, taste and monitor their food throughout the cooking process.



1. The hood remains completely hidden until you're ready to start cooking. Push upward



2. Simply push under the front of the hood to lower into position. Hood lowers



3. The telescopic hood easily extends on the smooth rails. Slide out

Extraction control is fast and responsive via an intuitive FullTouchControl\* panel.

\*Available on some models.

CREATE A COOKING STATION THAT'S AS UNIQUE AS YOU.



# CALLING ALL CREATIVE COOKS

Our Domino hood offers the ultimate flexibility in hob design. Mix and match your own cooking zones for a cook-top which truly reflects how you like to cook. To learn more about our Domino hobs, visit page 98 to view the full range.

I91VT44NO  
Domino Hood

## DESIGN / PERFORMANCE



### SPECIAL FEATURES

- Noise max. Normal level: 67 dB
- Electronic Controls
- Touch Control (3 speeds plus 1 intensive)
- High performance plinth fan motor
- Metal grease filter, dishwasher safe
- Saturation indicator for metal and charcoal filter

### INSTALLATION OPTIONS

- Worktop



Domino available  
June 2016

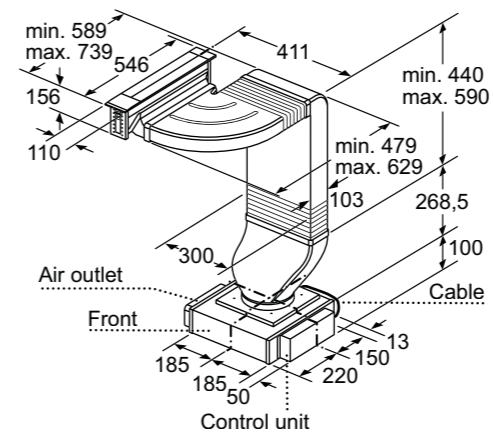
## DOMINO HOODS

### A truly flexible cooking station

Designed to complement our flexible 'mix and match' Domino hobs, NEFF Domino hoods seamlessly retract between your cooking zones for a flush, minimalist finish. Placed between two Domino hobs, steam and odours are effectively eliminated without the need for a larger ceiling or wall-mounted hood.

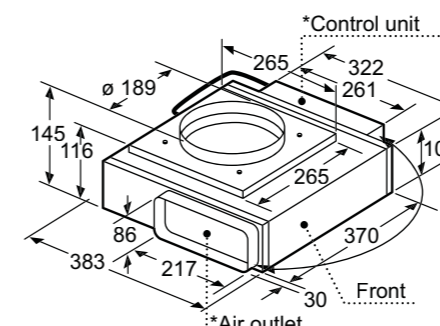
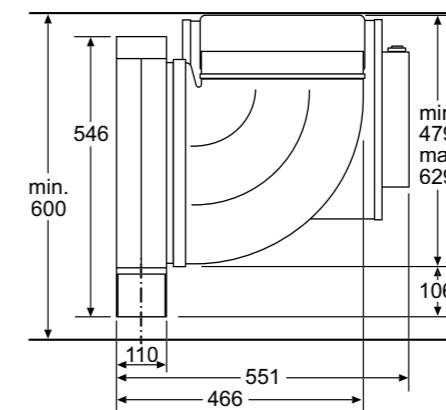


I91VT44NO

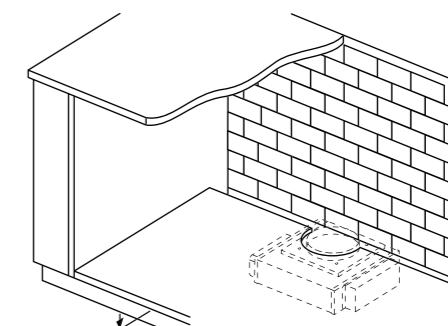


Ductwork must not run under a barbecue-grill/fryer/teppan-yaki/grill.

Air exhaust and control unit are interchangeable. Control unit can be attached to the furniture wall if required.



\*Air outlet and the control unit are interchangeable. Control unit can be attached to the furniture wall if necessary



Depending on the plinth height and position of the fan, a corresponding cut in the base of the furniture is required.

Measurements in mm.

The line drawings featured in this brochure are provided as a guide to general dimensions only and are subject to amendment without prior notice. For full dimensional and installation details please refer to the documentation supplied with the appliance.







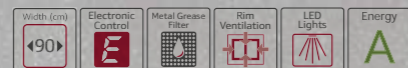
# CREATED FOR MINIMALIST KITCHENS

For powerful extraction that doesn't impact on kitchen space, our ceiling mounted hoods provide a stylish and contemporary solution.

Plug&play  
easy installation  
now available

## I99CM67NOB Ceiling Hood

### DESIGN / PERFORMANCE



#### SPECIAL FEATURES

- Electronic power level display
- 3 power levels and 1 intensive setting
- 1 x LED glass filter panel
- SoftLight with dimmer function
- 2 metal grease filter cassettes
- Saturation indicator for metal and charcoal filter
- Interval operation
- 3 speeds plus intensive
- Automatic after running (10 minutes)
- Automatic intensive revert (4 minutes)
- EfficientDrive BLDC technology
- Suitable for ducted extraction and recirculation

#### INSTALLATION OPTIONS

- Ceiling Mounted

#### OPTIONAL ACCESSORIES

- Recirculating kit Z5170X1



## CEILING MOUNTED HOODS



### The ideal space saving solution

Sleek, stylish and unobtrusive, our ceiling mounted hoods keep the kitchen free of steam and odours without taking up valuable kitchen space. Providing effective rim ventilation, the filters can simply be removed and cleaned in the dishwasher. Our ceiling mounted hoods are also energy efficient with an A rating – ideal for environmentally conscious homes. Our Plug&Play ceiling hoods are designed to complement the layout of your space and offer complete flexibility when designing your kitchen. With a powerful recirculation system, air is drawn in and purified without the need for ducting.



## I99C68N1GB Ceiling Hood

### DESIGN / PERFORMANCE



#### SPECIAL FEATURES

- LED display
- Electronic power level display
- 3 power levels and 1 intensive setting
- Automatic intensive revert (10 minutes)
- Interval operation
- Automatic after running (10 minutes)
- 4 x LED lights
- 3 metal grease filter cassettes
- Soft touch button control with remote
- Grease filter saturation indicator
- Suitable for ducted recirculation

#### INSTALLATION OPTIONS

- Ceiling Mounted

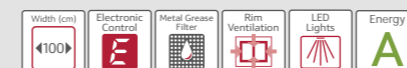
#### OPTIONAL ACCESSORIES

- CleanAir recirculating kit Z5190X0



## I90CN48W0 Ceiling Hood

### DESIGN / PERFORMANCE



#### SPECIAL FEATURES

- Electronic power level display
- 3 power levels and 1 intensive setting
- Automatic intensive revert (6 minutes)
- Interval operation
- Automatic after running (30 minutes)
- 1 x LED glass filter panel
- 2 metal grease filter cassettes
- Stainless steel filter cover
- Soft touch button control with remote
- Grease and charcoal filter saturation indicator
- Recirculation only

#### INSTALLATION OPTIONS

- Ceiling Mounted

#### OPTIONAL ACCESSORIES

- CleanAir recirculating kit Z5190X0



Available  
May 2016

## I90CL46N0 Ceiling Hood

### DESIGN / PERFORMANCE



#### SPECIAL FEATURES

- LED display
- Electronic power level display
- 3 power levels and 1 intensive setting
- Automatic intensive revert (6 minutes)
- Interval operation
- Automatic after running (30 minutes)
- 2 x LED lights
- 2 metal grease filter cassettes
- Stainless steel filter cover
- Soft touch button control with remote
- Grease and charcoal filter saturation indicator
- Recirculation only

#### INSTALLATION OPTIONS

- Ceiling Mounted

#### OPTIONAL ACCESSORIES

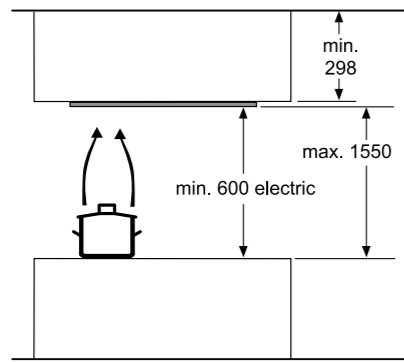
- CleanAir recirculating kit Z5190X0



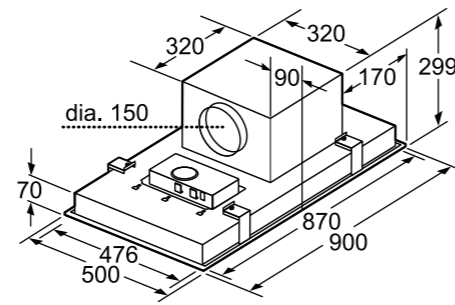
Available  
May 2016



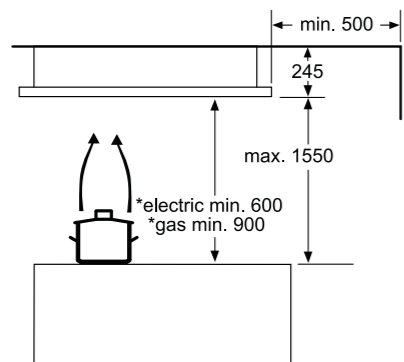
I99C68N1GB



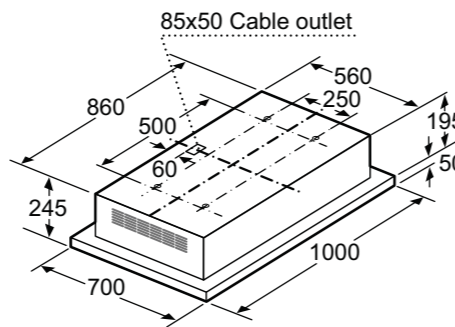
measurements in mm



I90CL46N0

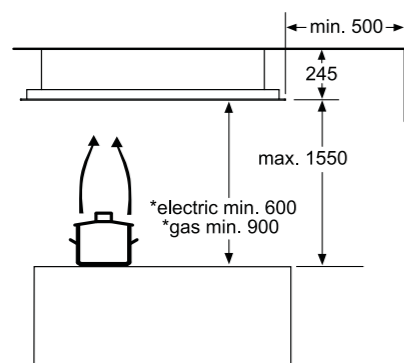


\* from upper edge of pan support  
measurements in mm

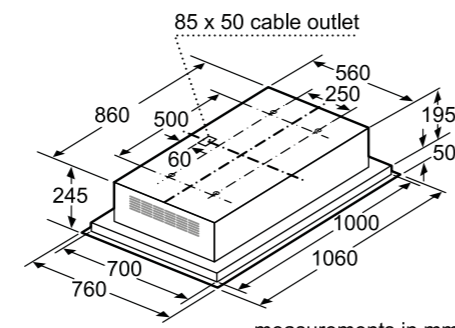


measurements in mm

I90CN48W0



\* from upper edge of pan support  
measurements in mm



measurements in mm

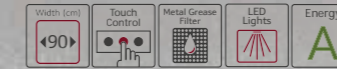
Measurements in mm.  
The line drawings featured in this brochure are provided as a guide to general dimensions only and are subject to amendment without prior notice.  
For full dimensional and installation details please refer to the documentation supplied with the appliance.

# A SHOW-STOPPER IN ANY KITCHEN

Offering plenty of space for preparation and cooking, kitchen islands remain a popular choice amongst creative Cookaholics. Designed to sit above your hob station, we've created styles to suit all kitchen designs.

I79MT86N1B  
Island Hood

### DESIGN / PERFORMANCE



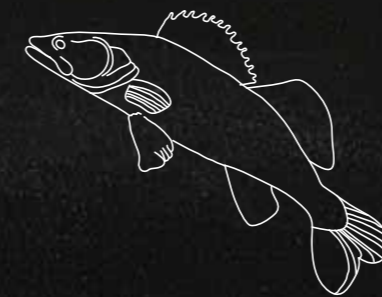
### SPECIAL FEATURES

- Ⓞ Electronic power level display
- Ⓞ 4 x LED lights
- Ⓞ SoftLight with dimmer function
- Ⓞ 3 metal grease filter cassettes
- Ⓞ Saturation indicator for metal and charcoal filter
- Ⓞ Interval operation
- Ⓞ 3 power levels and 2 intensive settings
- Ⓞ Automatic after running (6 minutes)

- Ⓞ Automatic intensive revert (6 minutes)
- Ⓞ Suitable for ducted extraction and recirculation

### OPTIONAL ACCESSORIES

- Ⓞ Z5106X5: Recirculating kit



## ISLAND HOODS



### The ideal solution for contemporary kitchens

Our island hoods are a stunning way to showcase a central cooking and preparation space. Available with stylish flat glass, curved glass and box designs, the range is designed to complement our gas, ceramic and induction hobs. With height adjustable chimney sections, there are options to suit all ceiling heights too.



For detailed specification on this model go to page 143.

THE NEFF OVEN COLLECTIONS

HOBS

VENTILATION

REFRIGERATION

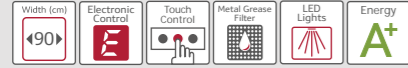
DISHWASHING

LAUNDRY



## I79MT64N1B Island Hood

### DESIGN / PERFORMANCE



#### SPECIAL FEATURES

- Electronic power level display
- 4 x LED lights
- 3 power levels and 2 intensive settings
- Automatic after running (6 minutes)
- SoftLight with dimmer function
- 3 metal grease filter cassettes
- Saturation indicator for metal and charcoal filter
- Interval operation
- Suitable for ducted operation
- Suitable for recirculating operation
- Height adjustable chimney sections

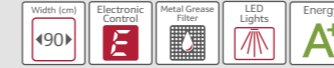
#### OPTIONAL ACCESSORIES

- Recirculating kit Z5106X5



## I79SH52N0B Island Hood

### DESIGN / PERFORMANCE



#### SPECIAL FEATURES

- Electronic power level display
- 4 x LED lights
- 3 power levels and 1 intensive setting
- Automatic after running (10 minutes)
- Automatic intensive revert (6 minutes)
- 3 metal grease filter cassettes
- Soft touch control
- Softlight with dimmer function
- Interval operation
- Grease filter saturation indicator
- Suitable for ducted operation
- Suitable for recirculating operation
- Height adjustable chimney sections

#### OPTIONAL ACCESSORIES

- Recirculating kit Z5106X5



## I89DK62N0B Island Hood

### DESIGN / PERFORMANCE



#### SPECIAL FEATURES

- Electronic power level display
- 4 x halogen lights
- 3 power levels and 2 intensive settings
- Automatic after running (10 minutes)
- Automatic intensive revert (6 minutes)
- 2 metal grease filter cassettes
- Soft touch control
- Interval operation
- Suitable for ducted operation
- Suitable for recirculating operation
- Height adjustable chimney sections

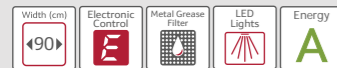
#### OPTIONAL ACCESSORIES

- Recirculating kit Z5105X5



## I89EH52N0B Island Hood

### DESIGN / PERFORMANCE



#### SPECIAL FEATURES

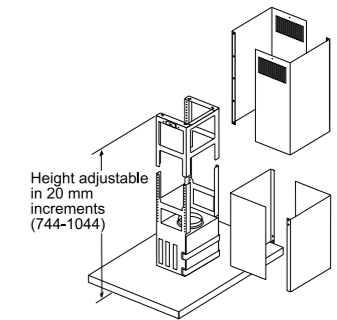
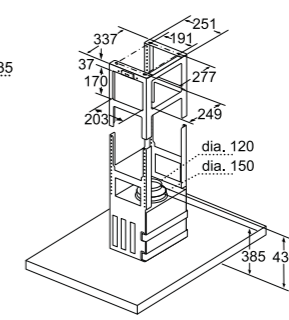
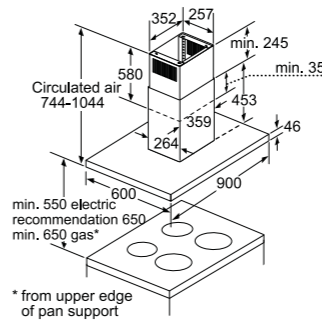
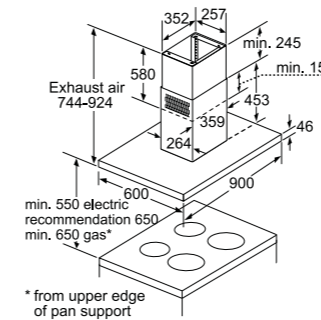
- 4 x LED lights
- 3 power levels and 2 intensive settings
- Automatic after running (10 minutes)
- Automatic intensive revert (6 minutes)
- 1 metal grease filter cassette
- Push button control
- Softlight with dimmer function
- Interval operation
- Grease filter saturation indicator
- Suitable for ducted operation
- Suitable for recirculating operation
- Height adjustable chimney sections

#### STANDARD ACCESSORIES

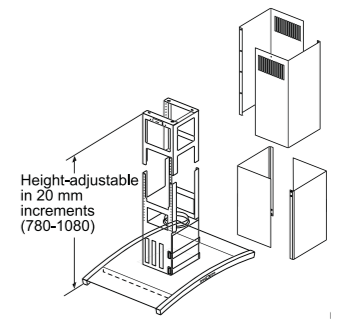
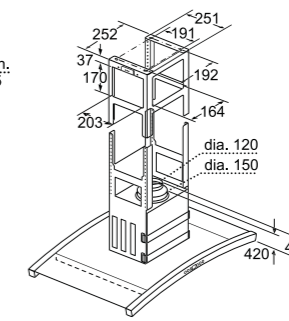
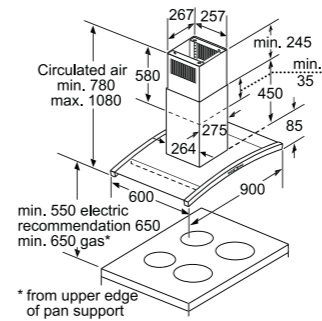
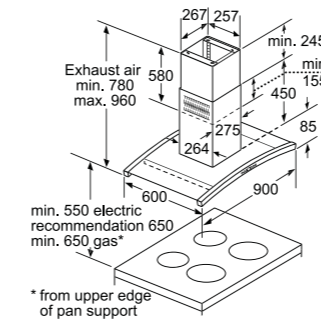
- Recirculating kit Z5105X5



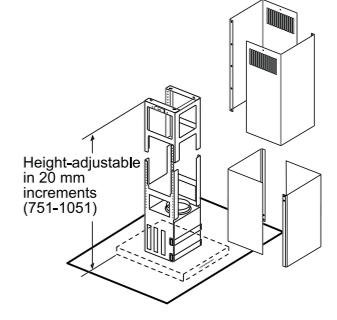
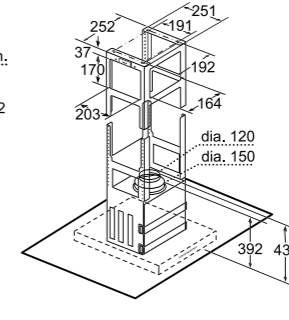
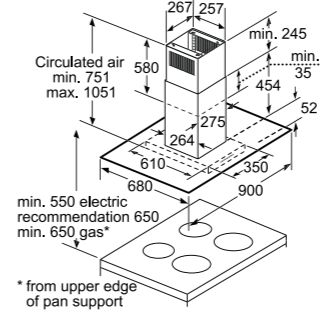
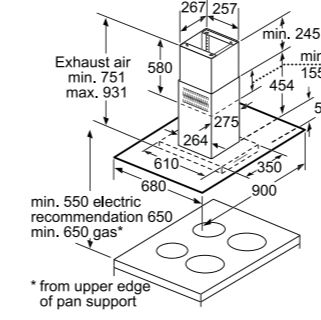
### I79MT64N1B



### I89DK62N0B



### I89EH52N0B



Measurements in mm.

The line drawings featured in this brochure are provided as a guide to general dimensions only and are subject to amendment without prior notice. For full dimensional and installation details please refer to the documentation supplied with the appliance.



# THE FOCAL POINT OF ANY KITCHEN

Designed for kitchens that really make a statement, our black glass chimney hoods perfectly coordinate with the NEFF induction and ceramic hob range.

Most of our angled chimney hoods can be installed without a chimney and operated in recirculation mode. As shown in image below.

## D39DT68N0B Angled Hood

### DESIGN / PERFORMANCE



#### SPECIAL FEATURES

- Electronic power level display
- 2 x LED lights
- Dimmer function
- 3 metal grease filter cassettes
- Saturation indicator for metal and charcoal filter
- Interval operation
- 4 power levels plus intensive
- Automatic after running (15 minutes)

- Automatic intensive revert (6 minutes)
- EfficientDrive BLDC technology
- Suitable for ducted extraction and recirculation

#### INSTALLATION OPTIONS

- Wall Mounted

#### OPTIONAL ACCESSORIES

- Recirculating kit Z5140X5, Z5135X4



## ANGLED HOODS

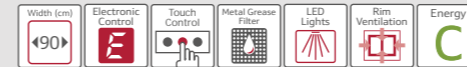
### Ventilation redesigned

Sleek, stylish and equipped with built-in lighting, a NEFF angled hood provides a contemporary solution for busy kitchens. With 4 power levels, 1 intensive setting and a host of innovative features to ensure that your space stays constantly fresh, this model offers substance as well as style.



## D39DT57N0B Angled Hood

### DESIGN / PERFORMANCE



#### SPECIAL FEATURES

- Electronic power level display
- 2 x LED lights
- Dimmer function
- 3 metal grease filter cassettes
- Saturation indicator for metal and charcoal filter
- Interval operation
- 3 speeds plus intensive
- Automatic after running (15 minutes)
- Automatic intensive revert (6 minutes)
- Suitable for ducted extraction and recirculation

#### INSTALLATION OPTIONS

- Wall Mounted

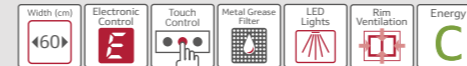
#### OPTIONAL ACCESSORIES

- Recirculating kit Z5140X5, Z5135X4



## D36DT57N0B Angled Hood

### DESIGN / PERFORMANCE



#### SPECIAL FEATURES

- Electronic power level display
- 2 x LED lights
- 3 power levels and 1 Intensive setting
- Dimmer function
- 3 metal grease filter cassettes
- Saturation indicator for metal and charcoal filter
- Interval operation
- Automatic after running (15 minutes)
- Automatic intensive revert (6 minutes)
- Suitable for ducted extraction and recirculation

#### INSTALLATION OPTIONS

- Wall Mounted

#### OPTIONAL ACCESSORIES

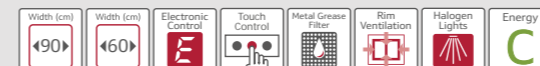
- Recirculating kit Z5140X5, Z5135X4



## D39E49S0GB Angled Hood (900mm width)

ALSO AVAILABLE: D36E49S0GB (600mm width)

### DESIGN / PERFORMANCE



#### SPECIAL FEATURES

- Electronic power level display
- 2 x halogen lights
- 3 power levels and 1 intensive setting
- Automatic after running (30 minutes)
- Automatic intensive revert (10 minutes)
- 3 metal grease filter cassettes
- Glass filter cover
- Suitable for ducted operation
- Suitable for recirculating operation

#### INSTALLATION OPTIONS

- Wall Mounted

#### OPTIONAL ACCESSORIES

- Recirculating kit Z5135X5





## D39GL64S0B Angled Hood

### DESIGN / PERFORMANCE



#### SPECIAL FEATURES

- Electronic power level display
- 2 x LED lights
- 3 power levels and 1 intensive setting
- SoftLight with dimmer function
- 2 metal grease filter cassettes
- Interval operation
- Auto after running (10 minutes)
- Automatic intensive revert (6 minutes)
- Stainless steel filter cover
- Soft touch control
- Grease and charcoal filter saturation indicator

- Suitable for ducted operation
- Suitable for recirculating operation
- Height adjustable chimney sections

#### INSTALLATION OPTIONS

- Wall Mounted

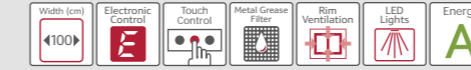
#### OPTIONAL ACCESSORIES

- Recirculating kit Z5101X5



## D99L20N0GB Angled Hood

### DESIGN / PERFORMANCE



#### SPECIAL FEATURES

- Electronic power level display
- 1 x LED light
- 3 power levels and 1 intensive setting
- Automatic after running (3, 5 and 10 minutes)
- Automatic intensive revert (5/10 minutes)
- Interval operation
- SoftLight with dimmer function
- 3 metal grease filter cassettes
- Stainless steel filter cover

- Suitable for ducted operation
- Suitable for recirculating operation
- Height adjustable chimney sections
- EfficientDrive

#### INSTALLATION OPTIONS

- Wall Mounted



## D39GL64N0B Angled Hood

### DESIGN / PERFORMANCE



#### SPECIAL FEATURES

- Electronic power level display
- 2 x LED lights
- 3 power levels and 1 intensive setting
- Auto after running (10 minutes)
- Automatic intensive revert (6 minutes)
- Interval operation
- SoftLight with dimmer function
- 2 metal grease filter cassettes
- Stainless steel filter cover
- Soft touch control

- Suitable for ducted operation
- Suitable for recirculating operation
- Height adjustable chimney sections
- EfficientDrive
- Grease filter saturation indicator

#### INSTALLATION OPTIONS

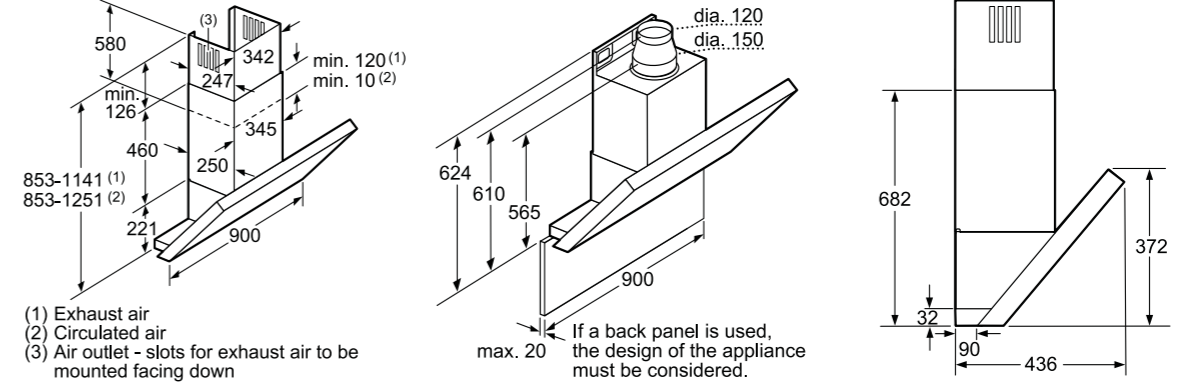
- Wall Mounted

#### OPTIONAL ACCESSORIES

- Recirculating kit Z5101X5

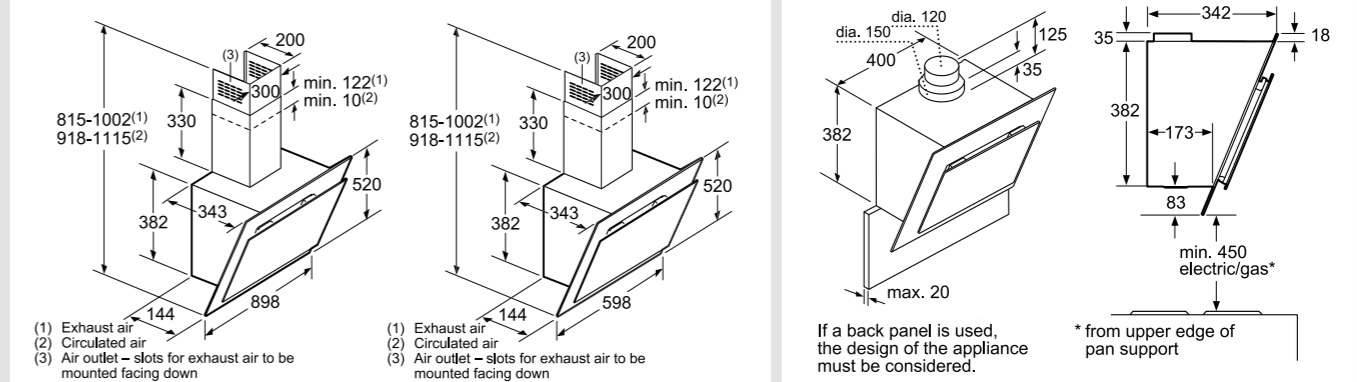


### D39E49S0GB



### D39E49S0GB

### D36E49S0GB



## D39MH64N1B Angled Hood

### DESIGN / PERFORMANCE



#### FEATURES

- Electronic power level display
- 3 x LED lights
- 3 power levels and 2 intensive settings
- Automatic after running (10 minutes)
- Automatic intensive revert (6 minutes)
- SoftLight with dimmer function
- 3 metal grease filter cassettes
- Stainless steel filter cover
- Soft touch control
- Interval operation

- Suitable for ducted operation
- Suitable for recirculating operation
- Height adjustable chimney sections
- EfficientDrive

#### INSTALLATION OPTIONS

- Wall Mounted

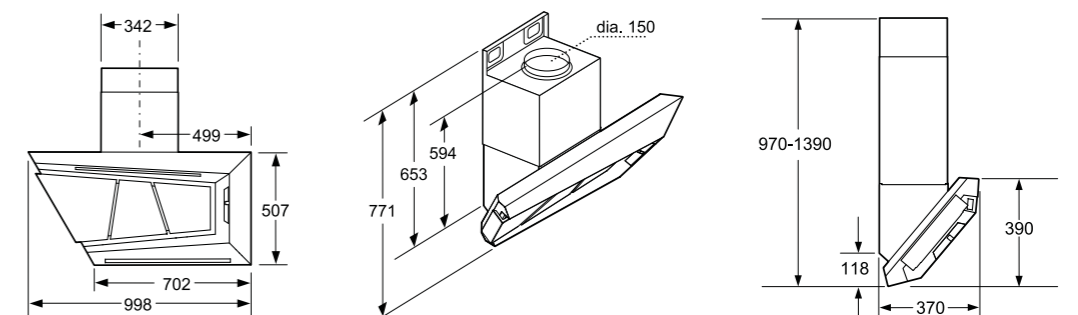
#### OPTIONAL ACCESSORIES

- Recirculating kit Z5102X5



### D99L20N0GB

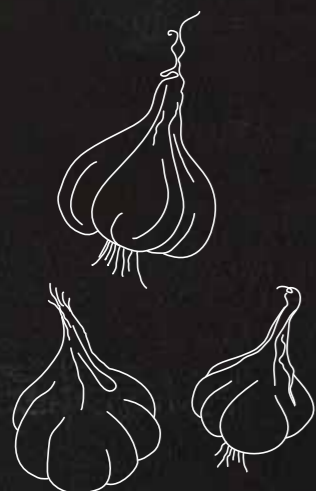
Measurements in mm. The line drawings featured in this brochure are provided as a guide to general dimensions only and are subject to amendment without prior notice. For full dimensional and installation details please refer to the documentation supplied with the appliance.





# A TALKING POINT IN ANY KITCHEN

With a stylish stainless steel design and clear glass canopy, our glass chimney hood perfectly complement single ovens, double ovens and hobs within the NEFF range.



**D89DK62NOB**  
Glass Chimney Hood (900mm width)

ALSO AVAILABLE: **D86DK62NOB**  
(600mm width)

## DESIGN / PERFORMANCE



### SPECIAL FEATURES

- Electronic power level display
- 2 x halogen lights
- 3 power levels and 2 intensive settings
- Automatic after running (10 minutes)
- Automatic intensive revert (6 minutes)
- SoftLight with dimmer function
- 2 metal grease filter cassettes
- Stainless steel filter cover
- Soft touch control
- Interval operation

- Grease filter saturation indicator
- Suitable for ducted operation
- Suitable for recirculating operation
- Height adjustable chimney sections
- EfficientDrive

### INSTALLATION OPTIONS

- Wall Mounted

### OPTIONAL ACCESSORIES

- Recirculating kit Z5101X5



## GLASS CHIMNEY HOODS



### Clean and contemporary

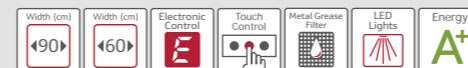
Featuring a high-speed extractor fan with EfficientDrive motor technology, NEFF glass chimney hoods help save energy and keep your kitchen fresh throughout the day. With a clear glass design, our glass hoods create a striking focal point without making your kitchen feel dominated by your hood. With the option to dim the lighting on this model, it's possible to transform the ambience of your kitchen too – perfect for meals with friends.



**D89EH52NOB**  
Glass Chimney Hood (900mm width)

ALSO AVAILABLE: **D86EH52NOB**  
(600mm width)

## DESIGN / PERFORMANCE



### SPECIAL FEATURES

- Electronic power level display
- 2 x LED lights
- 3 power levels and 2 intensive settings
- Automatic intensive revert (6 minutes)
- Automatic after running (10 minutes)
- SoftLight with dimmer function
- 1 metal grease filter cassette
- Soft touch control
- Interval settings

- Suitable for ducted operation
- Suitable for recirculating operation
- Height adjustable chimney sections
- EfficientDrive

### INSTALLATION OPTIONS

- Wall Mounted

### OPTIONAL ACCESSORIES

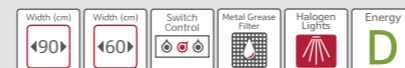
- Recirculating kit Z5101X5



**D89GR22NOB**  
Glass Chimney Hood (900mm width)

ALSO AVAILABLE: **D86GR22NOB**  
(600mm width)

## DESIGN / PERFORMANCE



### SPECIAL FEATURES

- 2 x halogen lamps
- 1 metal grease filter cassette
- For wall mounted installation
- Switch control operation
- 3 power level settings
- Suitable for ducted recirculation

### INSTALLATION OPTIONS

- Wall Mounted

### OPTIONAL ACCESSORIES

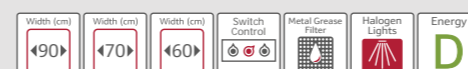
- Recirculating kit Z5101X5



**D89ER22NOB**  
Glass Chimney Hood (900mm width)

ALSO AVAILABLE: **D87ER22NOB** (700mm width) **D86ER22NOB** (600mm width)

## DESIGN / PERFORMANCE



### SPECIAL FEATURES

- 2 x halogen lamps
- 1 metal grease filter cassette
- Switch control operation for extractor speeds and light
- 3 power level settings
- Suitable for ducted recirculation

### INSTALLATION OPTIONS

- Wall Mounted

### OPTIONAL ACCESSORIES

- Recirculating kit Z5101X5



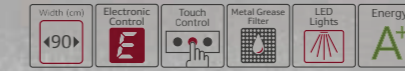


# BEAUTIFULLY COMPLEMENT YOUR NEFF KITCHEN

With a stylish black panel and touch control operation, our box chimney hood perfectly complements the premium ovens and hobs within our range.

## D79MT62N1B Box Chimney Hood

### DESIGN / PERFORMANCE



#### SPECIAL FEATURES

- 3 x LED lights
- 3 power levels and 2 intensive settings
- Automatic after running (10 minutes)
- Automatic intensive revert (6 minutes)
- SoftLight with dimmer function
- 3 metal grease filter cassettes
- Saturation indicator for metal and charcoal filter
- Additional noise insulation

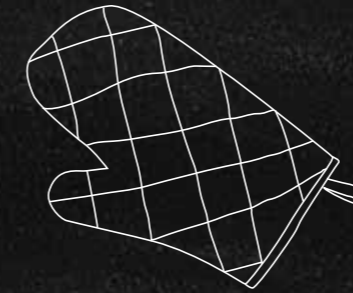
- Interval operation
- Suitable for ducted extraction and recirculation

#### INSTALLATION OPTIONS

- Wall Mounted

#### OPTIONAL ACCESSORIES

- Z5102X5: Recirculating kit



## BOX CHIMNEY HOODS



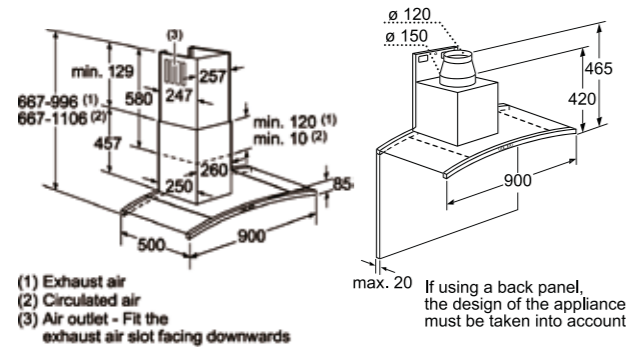
### Stylish and energy efficient

With an ultra-efficient, high-speed extractor fan with EfficientDrive motor technology, our box chimney hoods help save energy and keep your kitchen fresh throughout the day. Featuring LED lights with a dimmer function, your dinner guests can enjoy a warm, ambient environment without the conversation being drowned out.

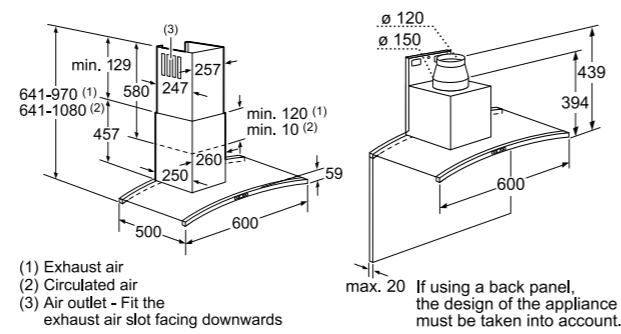


For detailed specification on this model go to page 153.

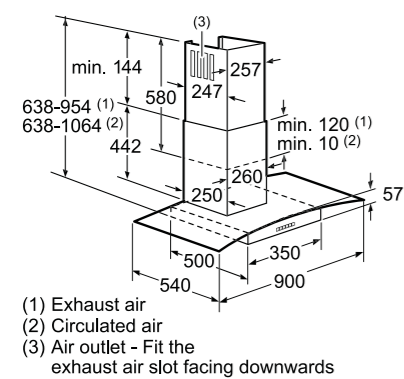
### D89DK62N0B



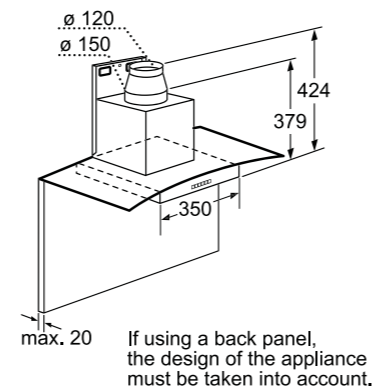
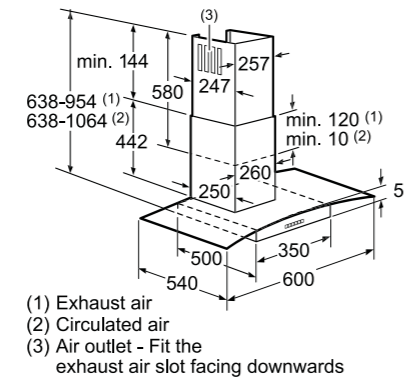
### D86DK62N0B



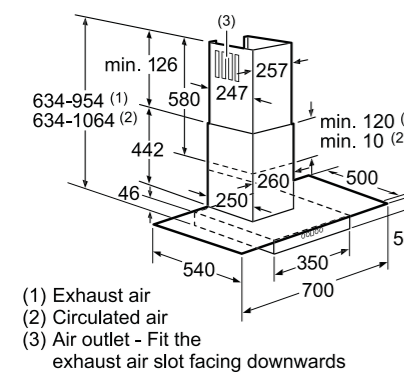
### D89GR22N0B



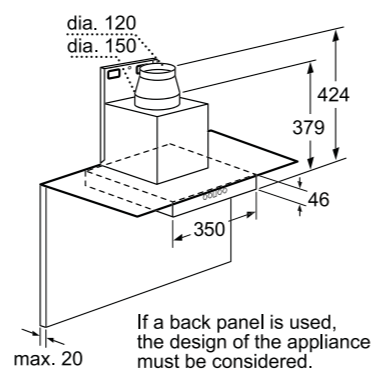
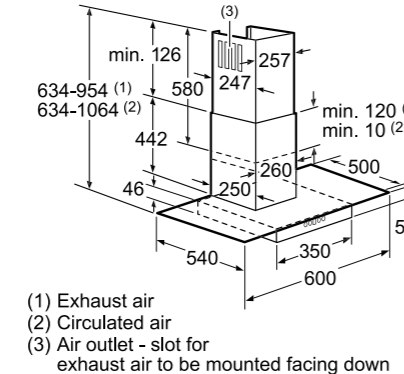
### D86GR22N0B



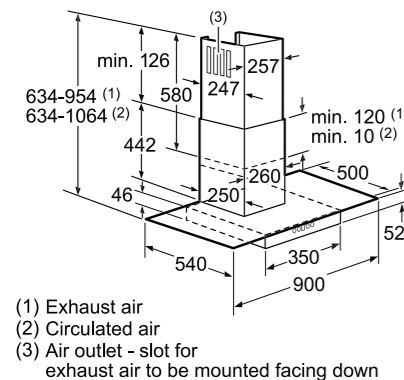
### D87ER22N0B



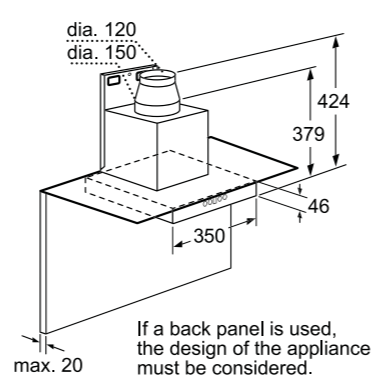
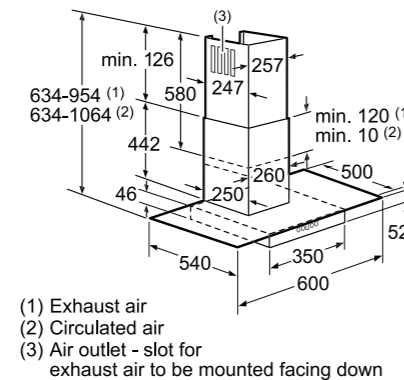
### D86ER22N0B



### D89EH52N0B



### D86EH52N0B



Measurements in mm.

The line drawings featured in this brochure are provided as a guide to general dimensions only and are subject to amendment without prior notice. For full dimensional and installation details please refer to the documentation supplied with the appliance.







# MAKE A STATEMENT

Our pyramid chimney hoods are designed to create the look of a professional working kitchen within your own home.

**D69SH52NOB**  
Pyramid Chimney Hood (900mm width)

ALSO AVAILABLE: **D66SH52NOB**  
(600mm width)

## DESIGN / PERFORMANCE



### SPECIAL FEATURES

- ⊗ Electronic power level display
- ⊗ 3 x LED lights
- ⊗ 3 power levels and 2 intensive settings
- ⊗ Auto after running (10 minutes)
- ⊗ Auto intensive revert (6 minutes)
- ⊗ SoftLight with dimmer function
- ⊗ 3 metal grease filter cassettes
- ⊗ Stainless steel filter cover
- ⊗ Suitable for ducted operation
- ⊗ Suitable for recirculating operation
- ⊗ Height adjustable chimney sections
- ⊗ EfficientDrive

### INSTALLATION OPTIONS

- ⊗ Wall Mounted

### OPTIONAL ACCESSORIES

- ⊗ Recirculating kit Z5102X5
- ⊗ Stainless steel back panel Z5895N0



## PYRAMID CHIMNEY HOODS



### The look of a professional kitchen

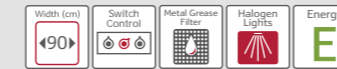
With a robust design and strip halogen lights, our pyramid hoods make a real statement in any kitchen. Replicating the style often found in professional kitchens, our pyramid hoods beautifully complement kitchens with stainless steel work surfaces or black cabinetry. With height adjustable chimney sections, your hood can be tailored to suit your ceiling height too.



**D69B21NOGB**  
Pyramid Chimney Hood

ALSO AVAILABLE: **D69B21S0GB**  
Black

## DESIGN / PERFORMANCE



### SPECIAL FEATURES

- ⊗ 3 power levels
- ⊗ 2 x halogen lights
- ⊗ 3 metal grease filter cassettes
- ⊗ Stainless steel filter cover
- ⊗ Rocker switch control

- ⊗ Suitable for ducted operation
- ⊗ Suitable for recirculating operation
- ⊗ Height adjustable chimney sections

### INSTALLATION OPTIONS

- ⊗ Wall Mounted

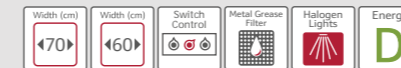
### OPTIONAL ACCESSORIES

- ⊗ Recirculating kit Z5138X5



**D67B21NOGB**  
Pyramid Chimney Hood (700mm width)

## DESIGN / PERFORMANCE



### SPECIAL FEATURES

- ⊗ 3 power levels
- ⊗ 2 x halogen lights
- ⊗ 2 metal grease filter cassettes
- ⊗ Stainless steel filter cover
- ⊗ Rocker switch control

- ⊗ Suitable for ducted operation
- ⊗ Suitable for recirculating operation
- ⊗ Height adjustable chimney sections

### INSTALLATION OPTIONS

- ⊗ Wall Mounted

### OPTIONAL ACCESSORIES

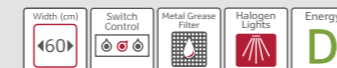
- ⊗ Recirculating kit Z5138X5



**D66B21NOGB**  
Pyramid Chimney Hood (600mm width)

ALSO AVAILABLE: **D66B21S0GB**  
Black

## DESIGN / PERFORMANCE



### SPECIAL FEATURES

- ⊗ 3 power levels
- ⊗ 2 x halogen lights
- ⊗ 2 metal grease filter cassettes
- ⊗ Stainless steel filter cover
- ⊗ Rocker switch control

- ⊗ Suitable for ducted operation
- ⊗ Suitable for recirculating operation
- ⊗ Height adjustable chimney sections

### INSTALLATION OPTIONS

- ⊗ Wall Mounted

### OPTIONAL ACCESSORIES

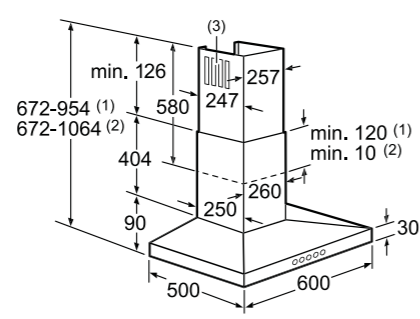
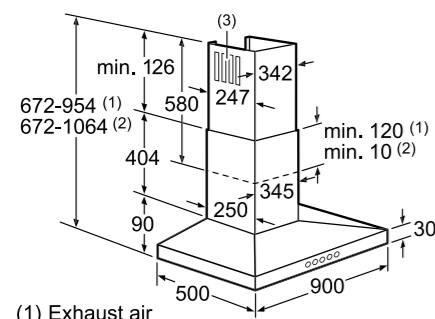
- ⊗ Recirculating kit Z5138X5





D69SH52NOB

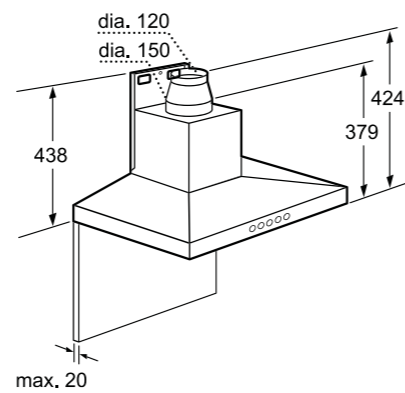
D66SH52NOB



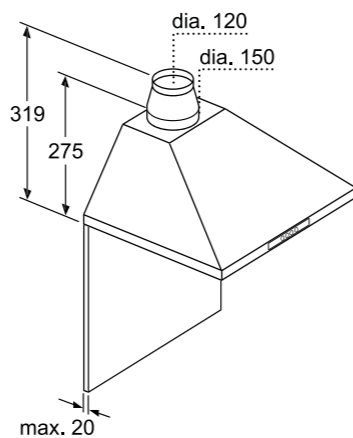
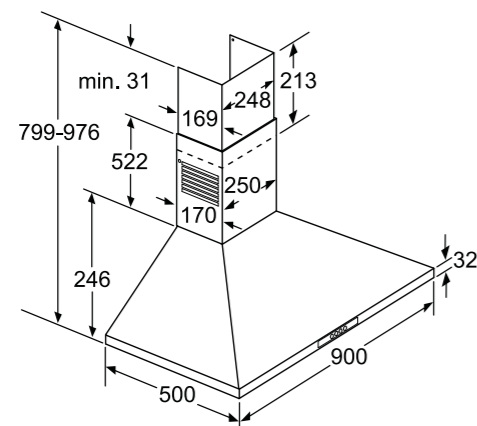
- (1) Exhaust air
- (2) Circulated air
- (3) Air outlet - Fit the exhaust air slot facing downwards

- (1) Exhaust air
- (2) Circulated air
- (3) Air outlet - install with vent at bottom for exhaust air

Measurements in mm

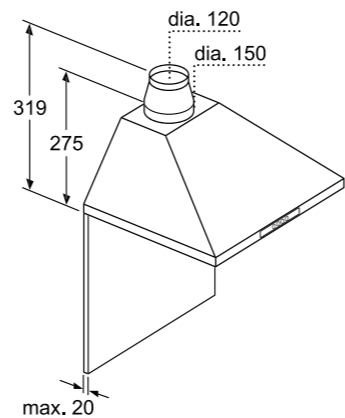
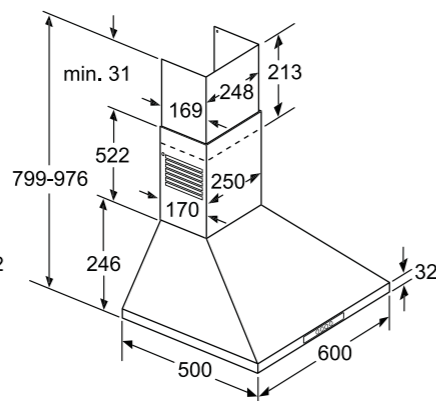
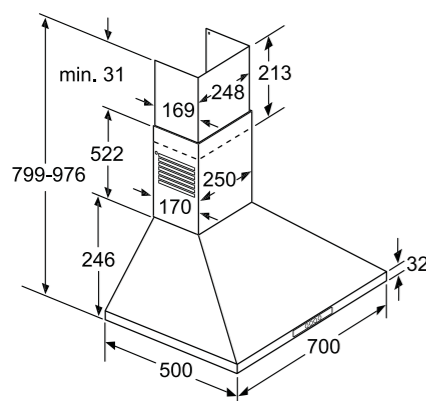


D69B21NOGB, D69B21S0GB



D67B21NOGB

D66B21NOGB, D66B21S0GB



Measurements in mm.

The line drawings featured in this brochure are provided as a guide to general dimensions only and are subject to amendment without prior notice. For full dimensional and installation details please refer to the documentation supplied with the appliance.

# POWERFUL EXTRACTION DOESN'T HAVE TO BE LOUD

Our telescopic hoods manage to be both discreet and stylish – perfect for compact kitchens where those little touches matter.

D49PU54XOB  
Telescopic Hood (900mm width)

D46PU54XOB  
Telescopic Hood (600mm width)

## DESIGN / PERFORMANCE

(Minimum cabinet depth 320mm)



### SPECIAL FEATURES

- 7 segment LED electronic display
- 3 power levels and 2 intensive settings
- 2 x LED lights
- Interval operation
- Automatic after running (10 minutes)
- Automatic intensive revert (6 minutes)

- Light with dimmer
- 2 metal grease filter cassettes
- Grease filter saturation indicator

### INSTALLATION OPTIONS

- In-Furniture

### OPTIONAL ACCESSORIES

- Lowering frame Z54TL60X0



Finish off with a Slide&Hide® lowering frame accessory for a sleek and minimalist finish. 350mm minimum cabinet depth required.

## TELESCOPIC HOODS

Discreet yet powerful

Designed for smaller kitchens and fully-integrated kitchens, our telescopic hoods simply pull out when you need effective extraction. Once you've finished cooking, simply push back in place to ensure the hood sits flush with your kitchen cabinet.

# FINISH OFF WITH A SLIDE AND HIDE LOWERING FRAME.

350mm minimum cabinet depth required for lowering frame.



For detailed specification on this model go to page 159.

THE NEFF OVEN COLLECTIONS

HOBS

VENTILATION

REFRIGERATION

DISHWASHING

LAUNDRY

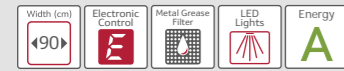


## D49ML54NOB

Telescopic Hood (900mm width)

ALSO AVAILABLE: **D46ML54NOB**  
(600mm width)

### DESIGN / PERFORMANCE



#### SPECIAL FEATURES

- 7 segment push button electronic display
- 3 power levels and 2 intensive settings
- 2 x LED lights
- Interval operation
- Automatic after running (10 minutes)
- Automatic intensive revert (6 minutes)
- Light with dimmer
- 1 metal grease filter cassette
- Grease filter saturation indicator

#### INSTALLATION OPTIONS

- In-Furniture

#### OPTIONAL ACCESSORIES

- Lowering frame Z54TL60X0



(Minimum cabinet depth 320mm)

## D49ED22NOB

Telescopic Hood (900mm width)

ALSO AVAILABLE: **D46ED22NOB**  
(600mm width)

### DESIGN / PERFORMANCE



#### SPECIAL FEATURES

- 7 segment push button electronic display
- 3 power levels and 2 intensive settings
- 2 x LED lights
- Automatic after running (10 minutes)
- Automatic intensive revert (6 minutes)
- Light with dimmer
- 1 metal grease filter cassette
- Grease filter saturation indicator

#### INSTALLATION OPTIONS

- In-Furniture

#### OPTIONAL ACCESSORIES

- Lowering frame Z54TL60X0

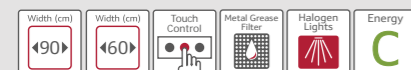


(Minimum cabinet depth 320mm)

## D46BR22NOB

Telescopic Hood (900mm width)

### DESIGN / PERFORMANCE



#### SPECIAL FEATURES

- 3 speeds
- 2 x halogen lights
- Interval operation
- Automatic 15 minutes after running
- SoftLight with dimmer
- 2 metal grease filter cassettes
- Grease filter saturation indicator

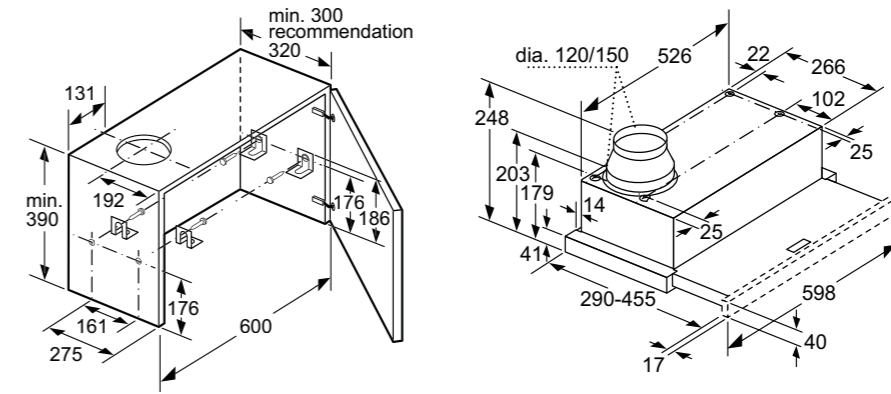
#### INSTALLATION OPTIONS

- In-Furniture

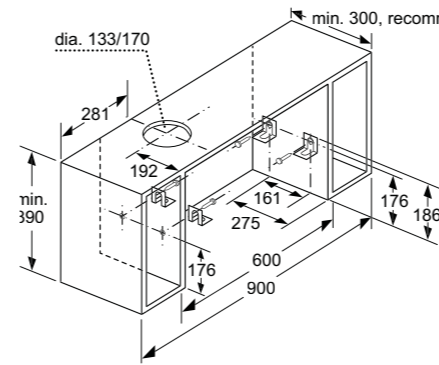


(Minimum cabinet depth 320mm)

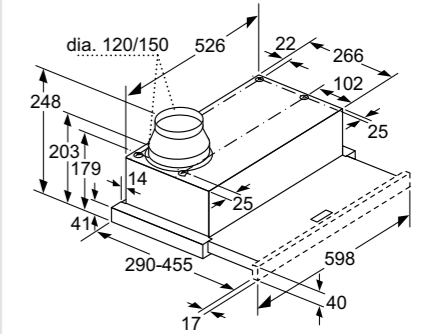
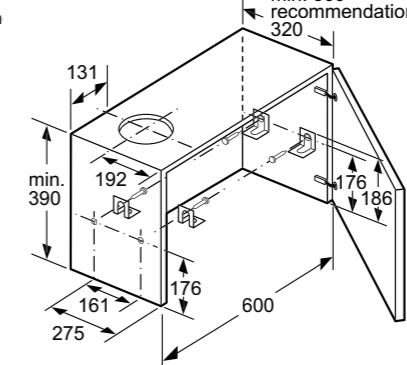
### D46BR22NOB



### D49ED22NOB

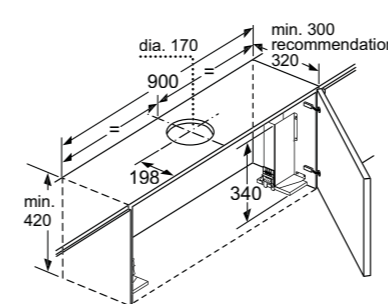


### D46ED22NOB

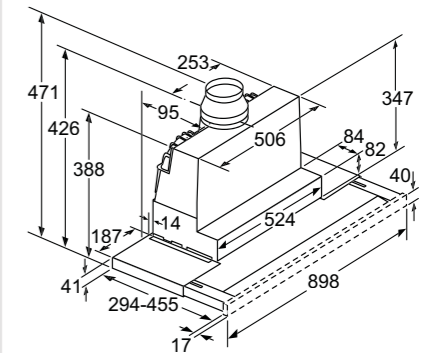
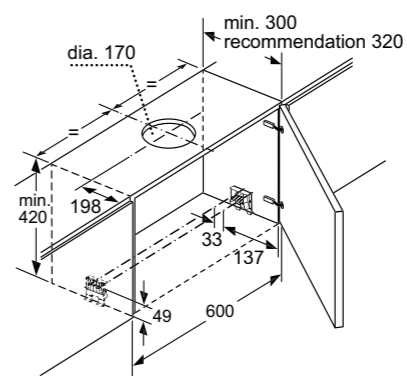


Installation of a 90 cm flat panel hood into a 90-cm-wide upper cabinet requires a custom upper cabinet from the kitchen furniture manufacturer.

### D49ML54NOB

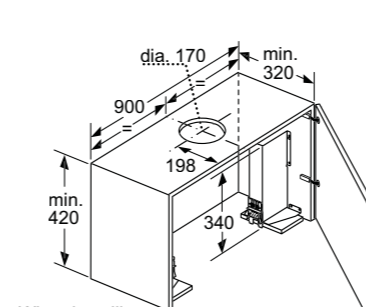


### D46ML54NOB

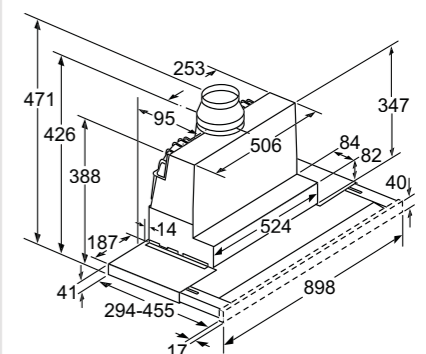
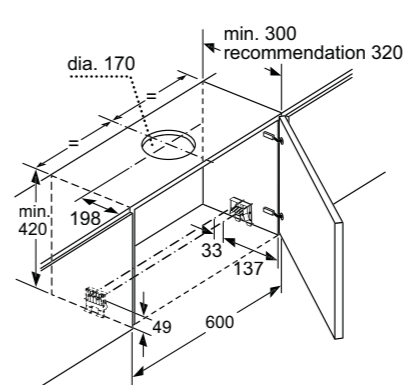


When installing the 90 cm telescopic hood in a 90 cm wide wall-hanging cupboard, a mounting kit is required. The two mounting brackets are screwed onto the left and right of the kitchen unit. Installation in accordance with template.

### D49PU54X0B



### D46PU54X0B



When installing the 90cm flat kitchen hood in a 90cm wide upper cabinet, an installation set is required. Both of the mounting brackets are screwed in the furniture on the right and left. Install using template.

Measurements in mm.

The line drawings featured in this brochure are provided as a guide to general dimensions only and are subject to amendment without prior notice. For full dimensional and installation details please refer to the documentation supplied with the appliance.



# EFFECTIVE EXTRACTION FOR INTEGRATED KITCHENS

Discreetly sitting behind your kitchen cabinetry, canopy hoods provide effective extraction without detracting attention from your kitchen design.

## D57ML67NOB Canopy Hood

### DESIGN / PERFORMANCE



#### SPECIAL FEATURES

- LED display
- 2 x LED lights
- Dimmer function
- 3 speeds and 2 intensive settings
- Automatic after running (30 minutes)
- Automatic intensive revert (6 minutes)
- 2 metal grease filter cassettes
- Grease filter saturation indicator
- Interval operation

#### INSTALLATION OPTIONS

- Soft touch control
- Suitable for ducted recirculation

#### OPTIONAL ACCESSORIES

- In-Furniture
- Z5135X3: Recirculating kit



## CANOPY HOODS

### Compact and innovative

It may be compact, but our canopy hood manages to offer a host of innovations that make cooking even more of a pleasure. With 3 speeds, an additional intensive setting and automatic after running, a NEFF canopy hood is designed to keep the kitchen fresh and odour free even after you've stopped cooking. With LED under-lighting, it also helps to create a warm and inviting kitchen environment.



## D57MH56NOB Canopy Hood (700mm width)

ALSO AVAILABLE: D55MH56NOB  
(520mm width)

### DESIGN / PERFORMANCE



#### SPECIAL FEATURES

- Electronic power level display
- 2 x LED lights
- 3 speeds and 1 intensive setting
- 2 metal grease filter cassettes
- Saturation indicator for metal and charcoal filter
- Automatic intensive revert (6 minutes)
- Soft touch control

#### INSTALLATION OPTIONS

- In-Furniture

- Suitable for ducted operation
- Suitable for recirculating operation

#### OPTIONAL ACCESSORIES

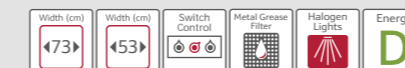
- Recirculating kit Z5135X3



## D5855X0GB Canopy Hood (730mm width)

ALSO AVAILABLE: D5655X0GB  
(530mm width)

### DESIGN / PERFORMANCE



#### SPECIAL FEATURES

- 2 x halogen lights
- Slider switch controls
- 3 power levels and 1 intensive setting
- 2 metal grease filter cassettes

- Suitable for ducted operation
- Suitable for recirculating operation

#### INSTALLATION OPTIONS

- In-Furniture

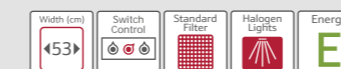
#### OPTIONAL ACCESSORIES

- Recirculating kit Z5155X0



## D5625X0GB Canopy Hood

### DESIGN / PERFORMANCE



#### SPECIAL FEATURES

- 2 x halogen bulbs
- 2 power levels and 1 intensive setting
- Rocker switch controls

- Suitable for ducted operation
- Suitable for recirculating operation

#### INSTALLATION OPTIONS

- In-Furniture

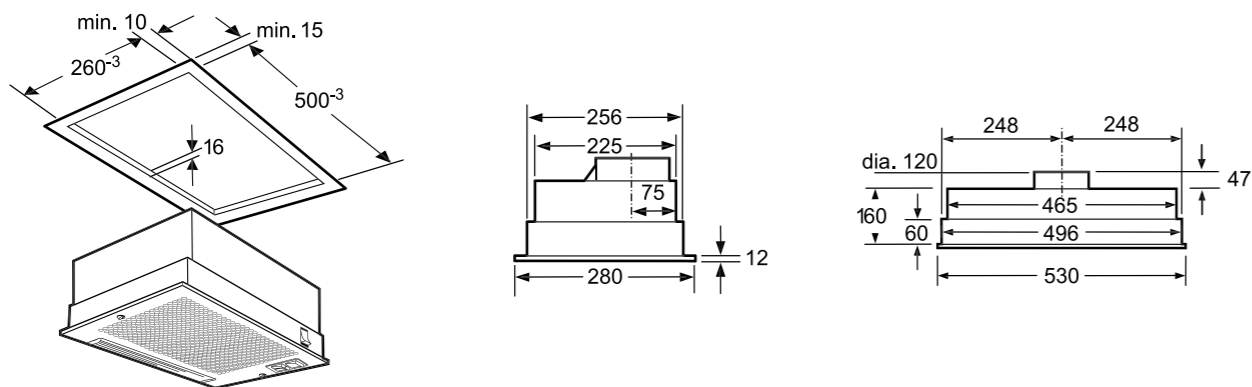
#### OPTIONAL ACCESSORIES

- Recirculating kit Z5154X0

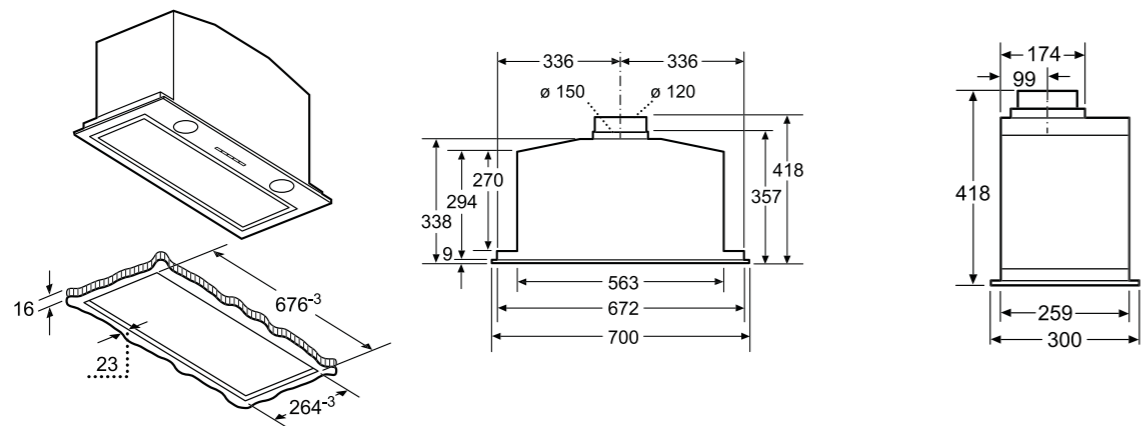




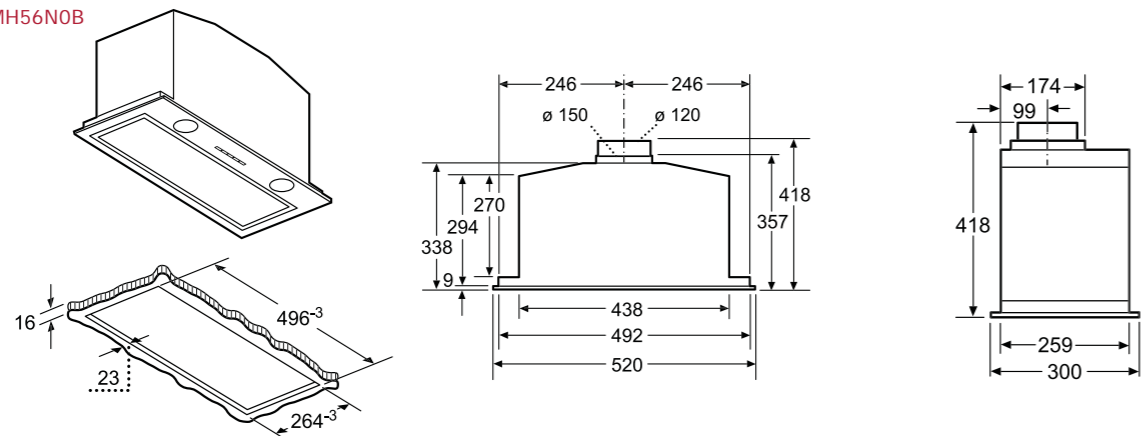
D5625X0GB



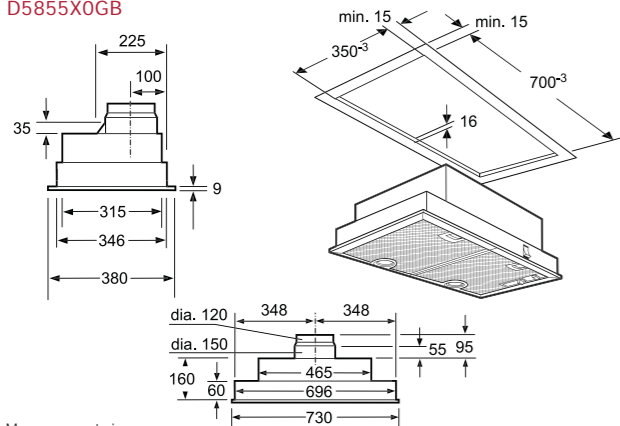
D57ML67N0B, D57MH56N0B



D55MH56N0B

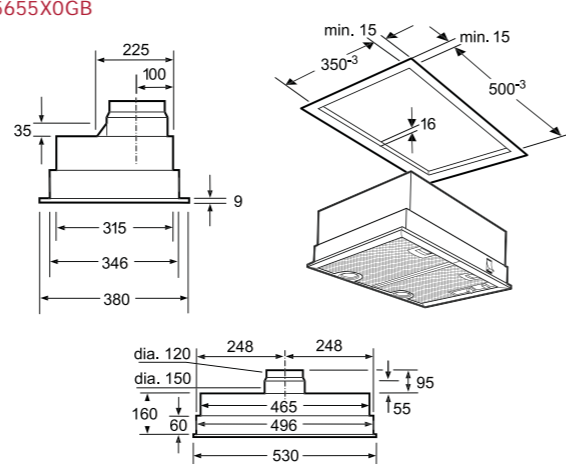


D5855X0GB



Measurements in mm.  
The line drawings featured in this brochure are provided as a guide to general dimensions only and are subject to amendment without prior notice. For full dimensional and installation details please refer to the documentation supplied with the appliance.

D5655X0GB



D2664X0GB  
Integrated Hood

DESIGN / PERFORMANCE



SPECIAL FEATURES

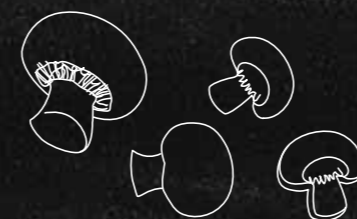
- ⊗ 2 x halogen bulbs
- ⊗ Slider switch controls
- ⊗ 3 power levels
- Intensive setting
- ⊗ 2 metal grease filter cassettes
- ⊗ Suitable for ducted operation
- ⊗ Suitable for recirculating operation

INSTALLATION OPTIONS

- ⊗ In-Furniture
  - ⊗ Furniture door required
- OPTIONAL ACCESSORIES
- ⊗ Recirculating kit Z5110X0

EFFECTIVE  
EXTRACTION FOR  
KITCHENS THAT  
DO THE TALKING

Our integrated hoods provide effective extraction without impacting on your kitchen space and design. Sitting seamlessly within your kitchen cabinetry, our integrated hoods are ideal for seamless, built-in kitchens



INTEGRATED HOODS



The perfect choice for integrated kitchen designs

Placed behind your kitchen furniture, our integrated hoods are designed to offer discreet and powerful extraction. Odours and steam are effectively removed and under-lighting helps to illuminate your food while you're cooking. The perfect choice for both compact and fully integrated kitchens.

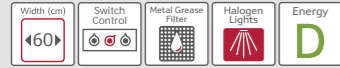


For detailed specification on this model go to page 166.



## D2654X1GB Integrated Hood

### DESIGN / PERFORMANCE



#### SPECIAL FEATURES

- 2 x halogen bulbs
- Rocker switch controls
- 3 power levels
- 2 metal grease filter cassettes
- Suitable for ducted operation
- Suitable for recirculating operation

#### INSTALLATION OPTIONS

- In-Furniture
- Furniture door required

#### OPTIONAL ACCESSORIES

- Recirculating kit Z5110X0



## D16BS01N0B Conventional Hood (Grey)

### DESIGN / PERFORMANCE



#### SPECIAL FEATURES

- LED on/off indicator
- 1 x halogen lamp
- 1 fleece filter
- 3 power levels
- Slide control operation
- Suitable for ducted extraction and recirculation

#### INSTALLATION OPTIONS

- For wall mounted installation or suspended beneath a reduced height wall cupboard

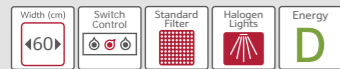
#### OPTIONAL ACCESSORIES

- Active carbon filter Z5101X0



## D2615X0GB Integrated Hood

### DESIGN / PERFORMANCE



#### SPECIAL FEATURES

- 1 x halogen bulb
- Rocker switch controls
- 3 power levels
- Suitable for ducted operation
- Suitable for recirculating operation

#### INSTALLATION OPTIONS

- In-Furniture
- Furniture door required

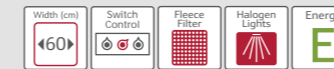
#### OPTIONAL ACCESSORIES

- Recirculating kit Z5110X0
- Paper grease filters Z5200X0



## D16BS01S0B Conventional Hood (Black)

### DESIGN / PERFORMANCE



#### SPECIAL FEATURES

- LED on/off indicator
- 1 x halogen lamp
- 1 fleece filter
- 3 power levels
- Slide control operation
- Suitable for ducted extraction and recirculation

#### INSTALLATION OPTIONS

- For wall mounted installation or suspended beneath a reduced height wall cupboard

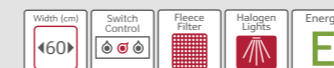
#### OPTIONAL ACCESSORIES

- Active carbon filter Z5101X0



## D16BS01W0B Conventional Hood (White)

### DESIGN / PERFORMANCE



#### SPECIAL FEATURES

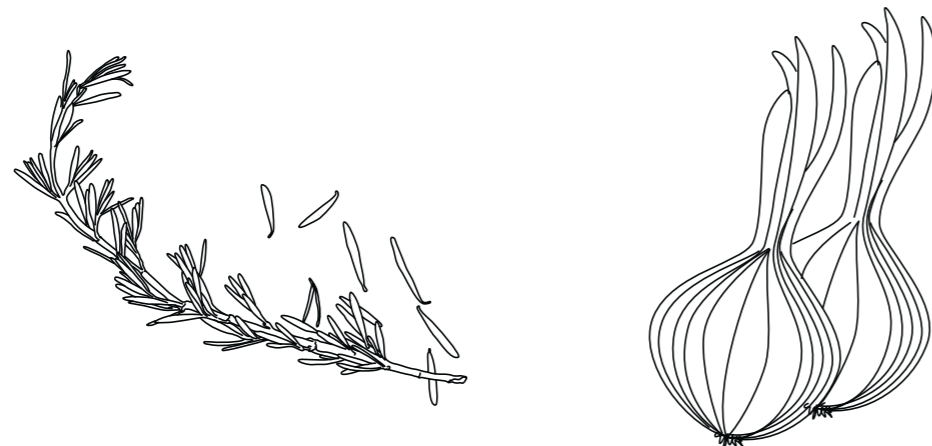
- LED on/off indicator
- 1 x halogen lamp
- 1 fleece filter
- 3 power levels
- Slide control operation
- Suitable for ducted extraction and recirculation

#### INSTALLATION OPTIONS

- For wall mounted installation or suspended beneath a reduced height wall cupboard

#### OPTIONAL ACCESSORIES

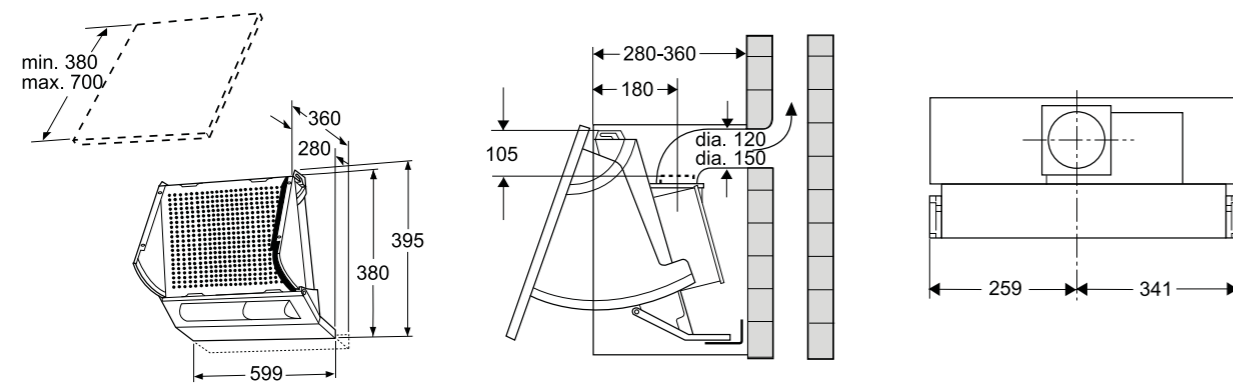
- Active carbon filter Z5101X0



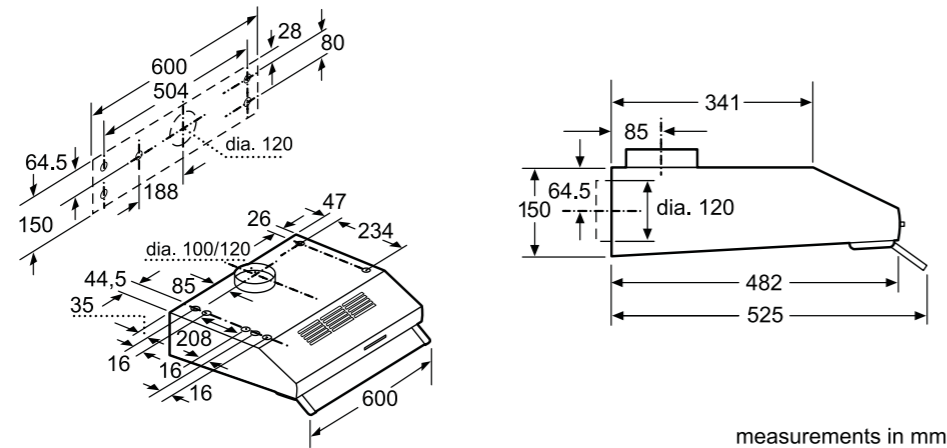


## CEILING & DOWNDRAFT HOOD SPECIFICATIONS

D2664X0GB, D2654X1GB,  
D2615X0GB



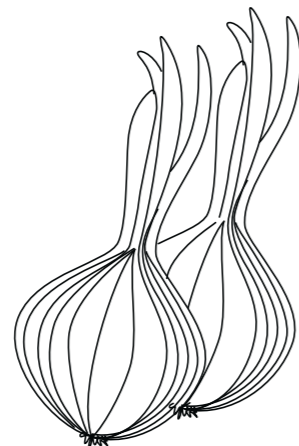
D16BS01NOB, D16BS01SOB  
D16BS01WOB



measurements in mm

Measurements in mm.

The line drawings featured in this brochure are provided as a guide to general dimensions only and are subject to amendment without prior notice. For full dimensional and installation details please refer to the documentation supplied with the appliance.



HOOD TYPE	Domino	Downdraft	Ceiling	Ceiling	Ceiling	Ceiling
MODEL NO. / COLOUR	I91VT44NOB	I99L59NOGB	I90CN48W0	I99CM67NOB	I90CL46NO	I99C68N1GB
Stainless steel		•		•		•
Stainless steel and glass	•					
Black or black glass			•		•	
White						•
Silver metallic lacquer						•
<b>SPECIAL FEATURES</b>						
EfficientDrive	•					
DualCleanAir						
AirDeluxe						
Intensive setting	•	•	•	•	•	•
<b>FEATURES</b>						
Wall mounted installation						
Ceiling mounted installation			•	•	•	•
Downdraft for installation in worktops	•	•				
Suitable for ducted operation	•	•		•		•
Suitable for recirculating operation	•	•	•	•	•	•
Height adjustable chimney sections						
Electronic power level display	•	•				•
Power levels	3	3	3	3	3	3
Automatic intensive revert <sup>8</sup>		•		•	•	•
Interval operation					•	•
Automatic after running (minutes)		15	30	10	6	10
Lighting		LED 5W strip	1W LED light	25W LED Glass Panel	2 x 6W LED strips	4 x halogen lights
Softlight with dimmer function				•		
Number of metal grease filter cassettes	1	2	2	2	2	3
Stainless steel filter cover	•	•	•	•	•	•
Rim ventilation		•	•	•	•	•
Electronic control	•	•	•	•	•	•
Slider switch control	Touch Control	Touch Control				Soft Touch
Remote control			•	•	•	•
<b>OPTIONAL ACCESSORIES</b>						
Recirculating odour filter kit <sup>6</sup>	Z5290X0	Z5159X1				
Chimless recirculating odour filter kit <sup>6</sup>						
Charcoal odour filter						
CleanAir Recirculating odour filter kit <sup>6</sup>			Z54CP00X0	Z5190X0	Z54CP00X0	Z5190X0
CleanAir Charcoal odour filter				Z5170X1		Z5170X1
720mm high stainless steel back panel						
<b>PERFORMANCE/TECHNICAL INFORMATION</b>						
Appliance width (mm)	110	880	1000	900	1000	900
Easy mounting system						
<b>Extraction Rate in m<sup>3</sup>/h<sup>1,2</sup></b>						
ducted power level 1/recirculating power level 1	410/	270/250	-/440	310/310	/440	290/210
ducted power level 2/recirculating power level 2	480/	440/411	-/600	420/420	/600	380/310
ducted power level 3/recirculating power level 3	540/	510/470	-/780	570/500	/780	320/450
ducted intensive/recirculating intensive	590/	750/540	-/850	780/570	/850	760/560
<b>Max Noise level (sound pressure) based on dBA re 20 µPa<sup>1,3</sup></b>						
ducted power level 1/recirculating power level 1	48/	35/41	-/43	35/36	/43	39/40
ducted power level 2/recirculating power level 2	50/	46/52	-/50	43/44	/50	43/47
ducted power level 3/recirculating power level 3	53/	49/55	-/56	50/51	/56	59/54
ducted intensive/recirculating intensive	56/	57/63	-/58	57/58	/58	57/59
<b>Noise level (sound power) based on dB(A) re 1 pW<sup>1,4</sup></b>						
ducted power level 1/recirculating power level 1	62/	49/55	-/57	49/50	/57	51/52
ducted power level 2/recirculating power level 2	64/	60/66	-/64	57/58	/64	55/59
ducted power level 3/recirculating power level 3	67/	63/69	-/70	64/65	/70	61/66
ducted intensive/recirculating intensive	70/	71/77	-/72	71/72	/72	69/71
Pipe outlet diameter (mm)		150	150	150	150	150
Minimum distance above an electric hob (mm)			600	550	600	550
Minimum distance above a gas hob (mm) <sup>7</sup>			900	650	900	650
Total electrical loading (W)	145	230	192	185	192	355
Power cable length (cm)	100	150		140		130
GB plug		•		•		•
Energy Rating	A+	C		A		A

<sup>1</sup>Air flow and noise declarations made in line with CECEC Code Of Conduct.

<sup>2</sup>Measured according to EN61591 on largest pipe diameter.

<sup>3</sup>Sound pressure measured according to EN60704-2-13 on largest pipe diameter.

<sup>4</sup>Sound power measured according to EN60704-3 on largest pipe diameter.

<sup>5</sup>Stainless steel back panels for use with ceramic, induction and gas hobs.

<sup>6</sup>Required if recirculating.

<sup>7</sup>From top of pan supports.

<sup>8</sup>Power automatically reverts back to normal setting after intensive.

Depending on the model, a recirculating kit will consist of the following items: Charcoal filter, flexible hose, air duct, fixing components, installation instructions. information to follow summer 2016 for Domino Hoods















## TELESCOPIC & CANOPY HOOD SPECIFICATIONS

Telescopic	Telescopic	Canopy	Canopy	Canopy	Canopy	Canopy	Canopy
D46ED22N0B	D46BR22N0B	D57ML67N0B	D57MH56N0B	D55MH56N0B	D5855X0GB	D5655X0GB	D5625X0GB
			•	•			
		•					
•	•				•	•	•
•	•	•	•	•	•	•	•
•	•	•	•	•	•	•	•
10		30		6			
2 x 3W LED lights	2 x 20W halogens	1 x LED light	2 x LED lights	2 x LED lights	2 x halogen lights	2 x halogen lights	2 x 40W bulbs
		•					
Soft Touch	Rocker Switch	Soft Touch	Soft Touch	Soft Touch	Slider Switch	Slider Switch	Rocker Switch
3	3	3	3	3	3	3	2
1		•	•	•	•	•	•
•		•	•	•			
2	1	2	2	2	2	2	1
Z54TS01X0	Z54TS01X0	Z5135X3	Z5135X3	Z5135X3			
Z54TC01X0	Z54TC01X0						
		Z5135X1	Z5135X1	Z5135X1	Z5155X0	Z5155X0	Z5154X0
Z54TR60X0							
Z54TR00X0							
Z54TH60D0							
		Z5100X0					
600	600	700	700	520	730	530	530
170/100	280/160	220 / 200	340 / 210	330/200	240 / 180	260 / 220	150 / 140
230/130	340/180	380 / 240	540 / 270	500/250	320 / 250	350 / 310	210 / 190
270/160	400/190	570 / 320	630 / 300	570-280	400 / 320	400 / 340	
420/170		770 / 370	730 / 310		650 / 430	500 / 380	280 / 240
39/43	45/56	28/51	39/53	39/53	38 / 40	41/45	41 / 41
41/51	50/58	41/54	49/57	49/57	44 / 48	47/53	48 / 48
45/56	54/60	51/59	52/59	52/59	47 / 52	50/55	
55/58		58/63	55/60	55/60	58 / 60	57/59	54 / 55
53/57	59/70	42/65	53/69	53/69	50 / 52	53/57	53 / 53
55/65	64/72	55/68	63/71	63/71	56 / 60	59/65	60 / 60
59/70	68/74	65/73	66/73	66/73	59 / 64	62/67	-
69/72		72/77	69/74	69/74	70 / 72	69/71	66 / 67
150/120	150/120	150/120	150/120	150/120	150 / 120	150 / 120	120
430	430	550	550	550	650	650	650
650	650	650	650	650	650	650	650
76	145	272	277	277	240	310	250
175	175	150	150	150	130	130	130
•	•	•	•	•	•	•	•

## INTEGRATED & CONVENTIONAL HOOD SPECIFICATIONS

HOOD TYPE	Integrated	Integrated	Integrated	Conventional	Conventional	Conventional
MODEL NO. / COLOUR	D2664X0GB	D2654X1GB	D2615X1GB	D16BS01N0B	D16BS01S0B	D16BS01W0B
Stainless steel				•		
Black or black glass					•	
White						•
Silver metallic lacquer	•	•	•			
<b>FEATURES</b>						
Suitable for ducted operation	•	•	•	•	•	•
Suitable for recirculating operation	•	•	•	•	•	•
Furniture door required	•	•	•			
Electronic power level display	•	•				
Automatic sensor control	•	•				
Interval operation	•	•	•	•		
Automatic after running (minutes)	10	10	10	10	10	10
Additional noise insulation	•	•	•	•		
Lighting	2 x 40W bulbs	2 x 40W bulbs	1 x 40W bulbs	1 x 28W halogen lights	1 x 28W halogen lights	1 x 28W halogen lights
Softlight with dimmer function						
Controls	Slider switch	Rocker switch	Rocker switch	Slider switch	Slider switch	Slider switch
Plug in VarioControl			•	•		
Power levels	3	3	3	3	3	3
Intensive setting	•					
Automatic intensive revert <sup>8</sup>						
Number of metal grease filter cassettes	2	2	1	1	1	1
Adjustable vapour screen						
Handle/décor panel included						
<b>OPTIONAL ACCESSORIES</b>						
Recirculating odour filter kit <sup>6</sup>						
Active carbon filter						
Carbon odour filter cassette	Z5110X0	Z5110X0	Z5110X0	Z5101X0	Z5101X0	Z5101X0
CleanAir Recirculating odour filter kit <sup>6</sup>						
CleanAir active carbon filter						
Steel finish profile/handle with opening for VarioControl						
Steel finish profile/handle with logo						
Lowering frame						
Bracket for installation in 90cm wide units						
Remote Control						
<b>PERFORMANCE/TECHNICAL INFORMATION</b>						
Appliance width (mm)	598	599	599	600	600	600
<b>Extraction Rate in m<sup>3</sup>/h<sup>1,2</sup></b>						
ducted power level 1/recirculating power level 1	230 / 140	170 / 140	140 / 120	190 / 60	190 / 60	190 / 60
ducted power level 2/recirculating power level 2	310 / 220	250 / 230	190 / 170	210 / 70	210 / 70	210 / 70
ducted power level 3/recirculating power level 3	410 / 290	360 / 300	280 / 230	240 / 80	240 / 80	240 / 80
ducted intensive/recirculating intensive	540 / 360					
<b>Max Noise level (sound pressure) based on dBA re 20 µPa<sup>1,3</sup></b>						
ducted power level 1/recirculating power level 1	33 / 37	35 / 36	40 / 44	49/55	49/55	49/55
ducted power level 2/recirculating power level 2	39 / 45	43 / 47	46 / 51	54/58	54/58	54/58
ducted power level 3/recirculating power level 3	47 / 51	50 / 52	54 / 56	57/59	57/59	57/59
ducted intensive/recirculating intensive	52 / 55					
<b>Noise level (sound power) based on dB(A) re 1 pW<sup>1,4</sup></b>						
ducted power level 1/recirculating power level 1	48 / 49	47 / 48	52 / 56	63/69	63/69	63/69
ducted power level 2/recirculating power level 2	54 / 57	55 / 59	58 / 63	68/72	68/72	68/72
ducted power level 3/recirculating power level 3	62 / 63	62 / 64	66 / 68	71/73	71/73	71/73
ducted intensive/recirculating intensive	66 / 67					
Pipe outlet diameter (mm)	120	120	120	120	120	120
Minimum distance above an electric hob (mm)	650	650	650	650	650	650
Minimum distance above a gas hob (mm) <sup>7</sup>	650	650	650	650	650	650
Total electrical loading (W)	226	290	170	153	153	153
Power cable length (cm)	130	130	130	150	150	150
GB plug	•	•	•	•	•	•

<sup>1</sup>Air flow and noise declarations made in line with CECEC Code Of Conduct.  
<sup>2</sup>Measured according to EN61591 on largest pipe diameter.  
<sup>3</sup>Sound pressure measured according to EN60704-2-13 on largest pipe diameter.

<sup>4</sup>Sound power measured according to EN60704-3 on largest pipe diameter.  
<sup>5</sup>Stainless steel back panels for use with ceramic, induction and gas hobs.  
<sup>6</sup>Required if recirculating.

<sup>7</sup>From top of pan supports.  
<sup>8</sup>Power automatically reverts back to normal setting after intensive.

Depending on the model, a recirculating kit will consist of the following items: Charcoal filter, flexible hose, air duct, fixing components, installation instructions.



# REFRIGERATION

Leading the way in food storage to ensure the freshest and tastiest food

We're constantly working to improve our range of fridges and freezers so there's something for everyone. Whether it's a large American style fridge freezer that can cope with the demands of a hungry family, or a fridge freezer that integrates seamlessly into the kitchen furniture, we're confident that there's a model to suit. And to top it off, all of our refrigeration appliances have at least an A+ energy rating.



KI6873F30G  
Built in fridge freezer

## BUILT IN FRIDGE/FREEZER

Designed to fit in a single housing unit, our range of fridge freezers include models from the tall larder style to more compact styles. All of our fridge freezers have a 4 star rating.

## FRIDGE AND FREEZER

Designed to fit in a single housing unit, our range includes a full height freezer option, available in four sizes.

## BUILT UNDER FRIDGE AND FREEZER

Our integrated fridge with a four star freezer fits neatly under the work surface. For even more flexibility, our Side by Side fridge and freezer installations can be created using a range of heights.



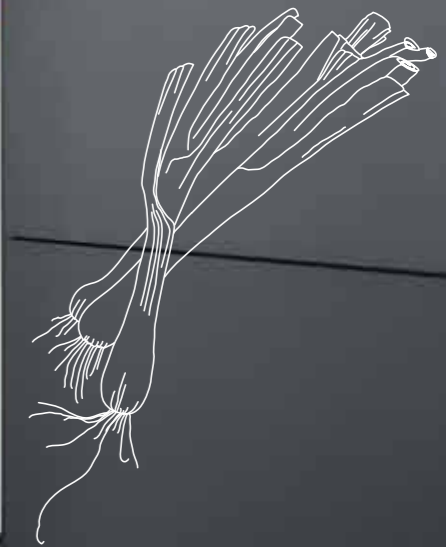
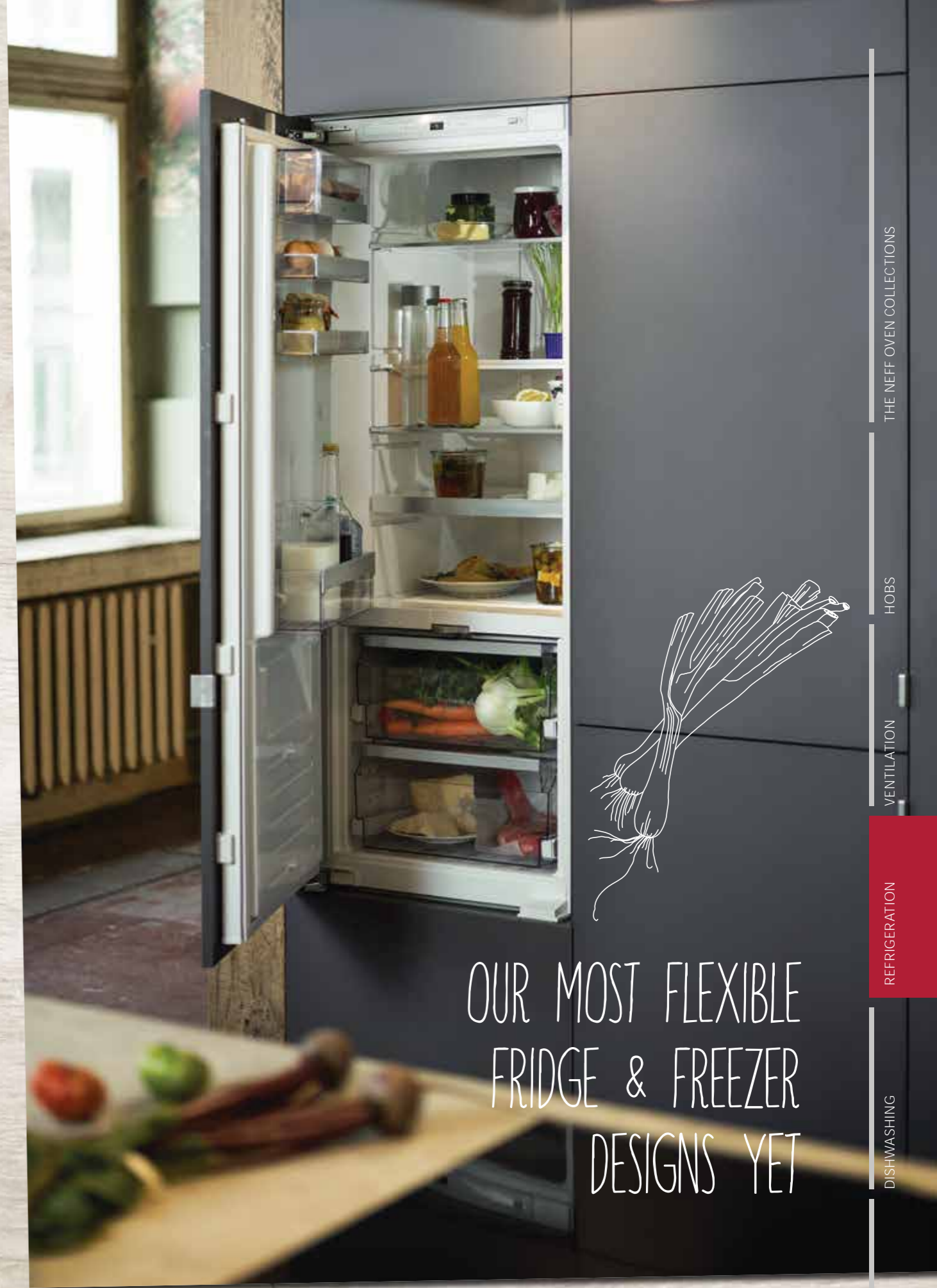
K4336X8GB  
Built under single door fridge

## AMERICAN STYLE FRIDGE FREEZER

They're big, they're bold, and there's enough space for even the largest family's chilled and frozen food. Our American style fridge freezers have an optional ice and water dispenser.



KA3923I20G  
American style fridge freezer



OUR MOST FLEXIBLE  
FRIDGE & FREEZER  
DESIGNS YET



## STORING FOOD IN A NEFF COOLING APPLIANCE

Fresh, seasonal ingredients are a staple in any NEFF kitchen.

As a result, we've developed a range of preservation systems to help your food stay at its best for as long as possible. Using our FreshSafe humidity control drawers, herbs, fruits and vegetables stay crisp, vibrant and fresh for up to three times as long.

### FreshSafe

FreshSafe provides the perfect solution for weekly grocery shoppers. Preserving food for up to three times as long as a conventional salad drawer, market-fresh ingredients stay fresh and vibrant for longer.

### FreshSafe<sup>®</sup>

Designed to keep salad items, leafy herbs and fruit at their peak for longer, our convenient vegetable drawer helps to extend the life of your favourite greens.

### FreshSafe<sup>®</sup>

Preserving food for up to twice as long, FreshSafe<sup>®</sup> is designed with busy family life in mind. Nutritious fruit and vegetables are always at hand and vibrancy and texture is maintained.

### 0°C FreshSafe<sup>®</sup>

Offering our optimal preservation system 0°C FreshSafe<sup>®</sup> features two humidity zones to keep food fresh for up to three times as long. Perfect for delicate fruits and herbs such as berries, avocados and leafy greens, your favourite fruits and vegetables are kept beautifully plump and vibrant. Suitable for fish and meat, our innovative cooling solutions are designed for everything you like to cook.



### MODELS WITH 0°C FRESH SAFE

**KA3923I20G** USA style SBS

**K8345X0** CoolDeluxe fridge/freezer

**K8315X0GB** CoolDeluxe fridge

**K8115X0** CoolDeluxe fridge

**KI8513D30G** Fridge

**KI8413D30G** Fridge

OUR INNOVATIVE 0°C FRESH SAFE PRESERVATION SYSTEM EXTENDS THE LIFE OF FOOD BY AT LEAST THREE TIMES TO REDUCE WASTE.

Fruit and vegetables stay fresh up to three times longer in a FreshSafe compartment, compared to a salad drawer in a conventional fridge, and preserve up to 50% more vitamins.

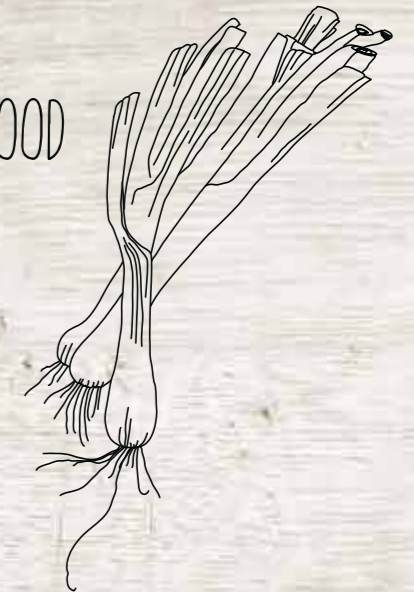
Please note the change in terminology for our preservations storage VitaFresh<sup>®</sup> is now 0°C FreshSafe<sup>®</sup>  
HydroFresh is now FreshSafe<sup>®</sup> Crisper Box is now FreshSafe<sup>®</sup>. \*www.lovefoodhatewaste.com

## WE'RE COMMITTED TO REDUCING FOOD WASTAGE

Did you know that around a third of the food we buy is thrown away?

The average family of four throws away £680 worth of food per year. At NEFF, we're keen to help you manage your costs by developing the most effective food preservation systems. FreshSafe is a 0°C compartment, independent from the fridge temperature, comprising two humidity zones. The dry section maintains 50% humidity to preserve meat and fish, while the moist zone, at 90% humidity, extends the life of vegetables, salad and fruit.

WE THROW AWAY 7 MILLION TONNES OF FOOD AND DRINK FROM OUR HOMES EVERY YEAR\*. AT NEFF WE'RE COMMITTED TO HELPING YOU REDUCE WASTAGE AND EFFECTIVELY MANAGE YOUR GROCERY COSTS.



ACCESS TO THE FRESH SAFE DRAWERS IS EASY. THE TELESCOPIC FLEXI RAIL<sup>®</sup> SYSTEM ALLOWS THE DRAWERS TO SLIDE OUT FULLY FOR ADDED CONVENIENCE.

WITH INNOVATIONS IN FOOD PRESERVATION, NEFF FRIDGES KEEP YOUR FAVOURITE INGREDIENTS AT THEIR PEAK FOR LONGER.



# COOLING

food preservation features, functions and design explained

## FOOD PRESERVATION FEATURES



### 0°C FreshSafe

As our optimal humidity preservation system, 0°C FreshSafe keeps food fresh for up to three times as long. Perfect for delicate fruits and herbs such as berries, avocados and leafy greens, your favourite foods are kept firm and fresh from producer to plate.

### FreshSafe

FreshSafe uses controlled humidity to ensure your fruits and vegetables stay fresh for up to twice as long. Food

wastage is reduced and food is left vibrant, flavoursome and nutrient-rich for longer.

### FreshSafe

Our FreshSafe storage drawer helps keep fruits, vegetables and herbs fresh and crisp. With gentle humidity control, it's the perfect storage solution for salad leaves. Drinks are kept beautifully refreshing using 0° cold air. Ideal for white and sparkling wine along with those family favourites such as milk and fresh smoothies.

### Dynamic Cooling

Our DynamicCooling ensures that a quick and even temperature is distributed throughout your fridge – even after opening the door. Ideal when introducing room temperature items after cooking or grocery shopping.



### Chiller Safe

Maintains a lower temperature to the rest of the fridge, keeping meats and fish fresh.

### FreshSense

Uses three intelligent sensors to monitor the temperature within the fridge, the freezer and the room outside. This feature ensures that the appliance maintains an optimal storage climate independent of the surrounding ambient temperatures.

## DESIGN FEATURES



### Slide&Hide® Dairy Compartment

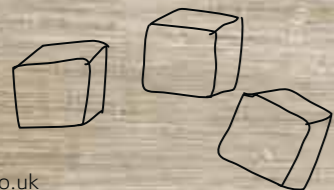
NEFF's unique Slide&Hide® concept makes its refrigeration debut. Butter and cheese is easily accessed as the door smoothly retracts below the compartment.

### SoftClose

With SoftClose, the fridge door closes automatically when open at an angle of 20° or less. With a soft closing mechanism, it's the ideal addition to kitchens with soft close cabinets.

### EmotionLight®

Efficient LED lighting gently illuminates the fridge interior as you open the door.



### EasyLift Shelf

With EasyLift shelving, it's possible to adjust shelves with just one hand - even when they're fully loaded. Perfect when unloading shopping or introducing freshly prepared dishes to the fridge.



### EasyLift Door Storage

Easily adjust door storage with just one hand. Combined with EasyLift Shelves, your fridge space won't restrict your favourite foods and drink.



### EasyAccess Shelf

The retractable glass shelf allows for easy loading and unloading as well as better access to your food. Ideal for putting the finishing touches to those delicate desserts.



### VarioShelf

Designed to offer complete flexibility in your fridge, sectioned glass shelves can simply be separated and slid underneath when not in use. Ideal for larger dishes, with space left over for a convenient condiments storage area at the back.

### Anti-spill trims

Effectively hold up to a pint of liquid in case of accidental spillage. Food is protected below and the clean-up process is a little less messy.

### Bottle rack

Always have a chilled bottle on standby for those impromptu get-togethers.



### Easy Clean Magnetic Door Seals

The magnetic door seals on all of our refrigeration range are removable, making them easy to clean and/or replace if necessary.

## OTHER FEATURES & FUNCTIONS

### Multiple Cooling Systems

Separate cooling circuits for independent temperature control, to prevent the transference of odours and/or humidity between the fridge and freezer cavities.

### MultiAirFlow Cooling

Greatly improves the circulation of air around the fridge, regulating the temperature and humidity levels and eradicating condensation build up, so that your food stays fresher for longer.

### AirFresh Filter

Using a carbon filter and cold air circulation, strong odours are reduced and your fridge is left smelling fresh. Ideal for blue cheese connoisseurs.

### Circo Cool®

Circo Cool® provides an even temperature throughout your fridge using effective air circulation.



### NoFrost

NoFrost freezers automatically react to any signs of frost so it never has a chance to build up. With a NoFrost freezer air is blown from the back wall and circulates over food items. As a result, there is no condensation or build up of frost and food does not freeze together.



### LowFrost

LowFrost, within our built in bottom freezers KI6873F30G and KI6863F30G, improves performance and reduces frost build up in an energy efficient way. It also provides more storage space due to there being no internal evaporator and you will only need to defrost your freezer every 2-3 years.

### Front Ventilation

A sleek, stylish solution to ventilation, the air is drawn in through the plinth, eliminating the need for a top board.

### SuperFreeze

Lowers the temperature for rapid freezing when adding fresh food.

### Intelligent cooling

Uses a range of innovative sensors to calculate the quantity of food in the fridge with the outside temperature. The fridge then adjusts the internal cooling power accordingly.

### SuperCool

Allows for the increase in temperature that occurs when fresh food is added. As soon as the food is cold, the fridge will readjust to the normal temperature.

### DoorOpen

Door open and high temperature alarm systems alert you if the door has been left open or a power cut has occurred. Ideal for mitigating food wastage.





# INSTALLATION OPTIONS



## Installing your NEFF fridge freezer

With so many kitchen styles to choose from, at NEFF we've catered for all spaces and lifestyles. With the option to build your cooling solution to your requirements, our installation options are designed to offer the ultimate flexibility. From side by side fridge and freezer installation to over-under stacked installations, it's easy to incorporate NEFF appliances into your overall kitchen design.

### BUILT-IN FRIDGE FREEZERS

Our combined built-in fridge freezers are a staple ingredient in any NEFF kitchen. By carefully streamlining the installation process, we've effectively reduced the number of fitting parts required and we've ensured that all screws are pre-fixed. Allowing for extremely easy installation, there's less need for drilling, less room for mistakes and convenient built-in 'covers' disguise any fixtures once installation is complete.

### SIDE BY SIDE SINGLE DOOR FRIDGES & FREEZERS

Our single door fridges and freezers are designed to sit parallel to one another in order to create a double door effect. By placing a left-hinged fridge and a right-hinged freezer (or vice versa) side by side you can easily browse fresh and frozen ingredients before getting creative in the kitchen. Smooth door opening is facilitated by a simple fixed or sliding hinge. Equally if you want to place a fridge in the kitchen and a freezer in the utility room, our appliances can be installed in a way which suits you.

### OVER-UNDER INSTALLATION

Our over-under installation options are perfectly tailored to suit every Cookaholic's lifestyle. Conveniently 'stack' your fridge and freezer and ensure your cooling space reflects how you like to cook. For those who tend to shop little and often, a smaller capacity fridge & freezer doesn't need to impact on your space. Equally, if family life makes ample freezer space essential, an equal height '50/50' fridge freezer combination provides the perfect solution.

## OPTIONS TO SUIT YOUR KITCHEN WITH OVER UNDER INSTALLATION:

TOTAL HEIGHT 160cm	TOTAL HEIGHT 174cm	TOTAL HEIGHT 176cm	TOTAL HEIGHT 190cm	TOTAL HEIGHT 194cm	TOTAL HEIGHT 210cm	TOTAL HEIGHT 212cm
FRIDGE 88cm	FRIDGE 88cm	FRIDGE 88cm	FRIDGE 102cm	FRIDGE 122cm	FRIDGE 122cm	FRIDGE 140cm
FREEZER 72cm	FREEZER 72cm	FREEZER 88cm	FREEZER 88cm	FREEZER 72cm	FREEZER 88cm	FREEZER 72cm

### SINGLE DOOR FRIDGES AND FREEZERS

TOTAL HEIGHT 82cm	TOTAL HEIGHT 87cm	TOTAL HEIGHT 102cm	TOTAL HEIGHT 122cm	TOTAL HEIGHT 140cm	TOTAL HEIGHT 177cm
----------------------	----------------------	-----------------------	-----------------------	-----------------------	-----------------------

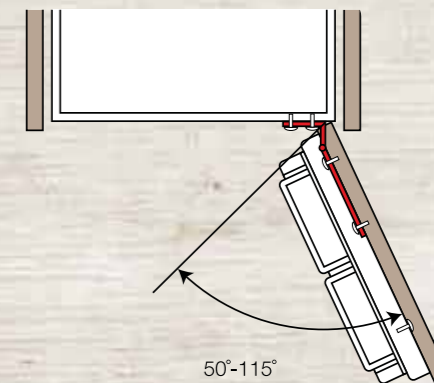
\*72cm is not sold as standard in the UK, however it is available upon request

## HINGES TO SUIT ALL KITCHEN DESIGNS

Our doors can be right-hinged or left-hinged in order to suit your kitchen design.

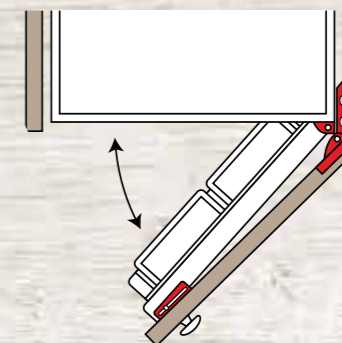
### FIXED HINGE AND SOFT CLOSE HINGE

The benefit of this type of hinge is that it carries more weight – ideal for kitchen cabinetry made from heavier hard wood. This hinge also allows the door to open at a wider angle, making the fridge cavity easily accessible. All NEFF doors close automatically when at an angle of approximately 15-20° and selected models have the benefit of SoftClose.



### SLIDING HINGE

Designed for integrated kitchens, the sliding hinge sits between the appliance and the furniture door and is secured by a series of brackets. As you open the furniture door, the appliance door is also opened via the sliding bracket design.



WITH THE POPULARITY OF OPEN-PLAN LIVING AND DINING AREAS, OUR BUILT-IN SOLUTIONS ARE DESIGNED TO FIT SEAMLESSLY INTO YOUR SCHEME.



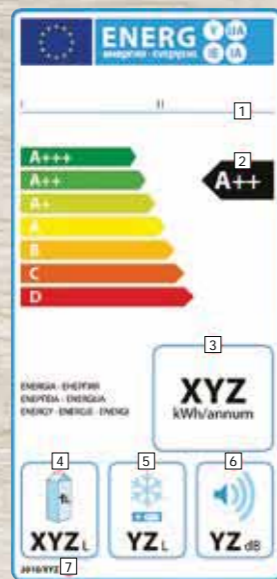
# ENERGY EFFICIENCY



We are at the forefront of refrigeration technology – all fridges and freezers come with at least an A+ rating.

Many of our fridges can achieve the same storage temperatures as the local supermarket, allowing fresh fruit and vegetables to be kept at peak freshness for longer. Did you know that a ten year old fridge accounts for up to a quarter of household energy bills? By consciously choosing to replace appliances early on, huge savings can be made.

A NEFF  
A+++ FRIDGE  
USES UP TO  
60% LESS  
ELECTRICITY.

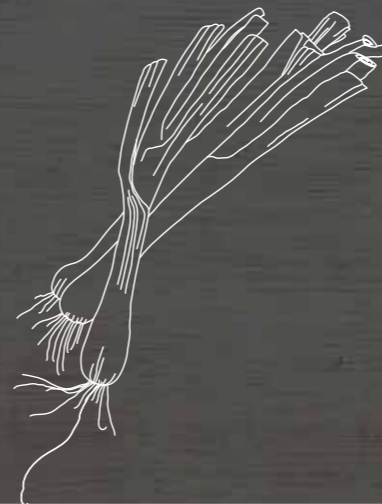


## THE FRIDGE & FREEZER ENERGY EFFICIENCY LABEL

- Supplier's name or trademark and model identifier.
- Energy efficiency class.
- Annual energy consumption in kWh (based on standard test results). The actual energy consumption depends on the use of the appliance.
- Sum of storage volume of all cooling storage compartments (compartments without a star rating).
- Sum of storage volume of all frozen food storage compartments (compartments with a star rating).
- Noise emissions in decibels.
- Numbering of the regulation.

# AMERICAN-INSPIRED DESIGN FOR NEFF-INSPIRED KITCHENS

For many NEFF customers, the versatility and storage space offered by an American style fridge freezer makes them the ideal family solution. Packed with NEFF's innovative cooling features, food is kept fresher for longer too.



## K3990X7GB American Style Fridge Freezer

### DESIGN / PERFORMANCE



#### SPECIAL FEATURES - FRIDGE

- 3 safety glass shelves of which 2 are heightadjustable, 1 x extendable Easy AccessShelf
- 2 shelves extendable
- VarioShelf
- FlexiRail Drawers
- Door Trays
- Easylift Door Trays
- Antispill Shelf with FlexiRail
- LED Light
- Halogen Light
- SuperCool
- Warning Signal
- Magnetic door seals

#### FOOD PRESERVATION

- FreshSafe 1
- FreshSafe 2
- FreshSafe 3
- ChillerBox
- Vegetable drawer
- FreshSense
- Electronic Control
- MultiAirflow
- Cooling Circuit 1, 2
- Dynamic Cooling

#### SPECIAL FEATURES - FREEZER

- NoFrost
- SuperFreeze
- 2 freezer drawers
- Big Box

- 4 Glass Shelves
- Easy Pull out Shelves

#### ADDITIONAL FEATURES & ACCESSORIES -

- FRIDGE/FREEZER**
- Dimensions (cm) (HxWxD): 180.8 x 90.3 x 68.2
- Annual energy consumption: 443 kWh per year
- Magnetic door seals

- FRIDGE**
- Net capacity: 343 litres
- FREEZER**
- Net capacity: 175 litres

# AMERICAN STYLE FRIDGE FREEZERS



## Big and bold

Supersized for family-life, our American-style fridge freezers truly have a place for everything. With storage solutions to keep your fruit and vegetables fresh, freezer compartments for large joints of meat, and enough door trays for those everyday favourites, our American design is perfect for British kitchens. With selected models featuring water and ice dispensers, there's also the option to plumb your fridge into the mains for ice-cold drinks on tap. If plumbing isn't suitable for your space, our KA7902120G American fridge freezer offers the same bold style without the need for plumbing.





**KA3923I20G**  
Americian Style Fridge Freezer

DESIGN / PERFORMANCE



**SPECIAL FEATURES - FRIDGE**

- 3 Height Adjustable Shelves
- Easy Lift Shelf
- FlexiRail Drawers
- 2 large and 3 small Door Trays
- LED Light
- SuperCool
- Warning Signal
- Stainless steel fingerprint free doors and chrome inox metallic side panels
- Aluminium bar handle
- Water door dispenser
- Magnetic door seals

**FOOD PRESERVATION**

- ChillerSafe
- FreshSafe 1
- FreshSafe 2
- MultiAirflow

**SPECIAL FEATURES - FREEZER**

- 2 FreezerDrawers

**ADDITIONAL FEATURES & ACCESSORIES - FRIDGE/FREEZER**

- Dimensions (cm) (HxWxD): 175.6 x 91 x 72.5
- Annual energy consumption: 443 kWh per year
- Magnetic door seals
- FRIDGE**
- Net capacity: 368 litres
- FREEZER**
- Net capacity: 158 litres



**KA7902I20G**  
Americian Style Fridge Freezer

DESIGN / PERFORMANCE



**SPECIAL FEATURES - FRIDGE**

- 4 safety glass shelves in fridge compartment of which 1 are height adjustable
- 3 large and 1 small Door Trays
- LED Light
- SuperCool
- Warning Signal
- Magnetic door seals

**FOOD PRESERVATION**

- FreshSafe 1
- MultiAirflow
- Cooling Circuit

**SPECIAL FEATURES - FREEZER**

- SuperFreeze
- 2 FreezerDrawers

**ADDITIONAL FEATURES & ACCESSORIES - FRIDGE/FREEZER**

- Dimensions (cm) (HxWxD): 177 x 91 x 72
- Annual energy consumption: 475 kWh per year
- Magnetic door seals
- FRIDGE**
- Net capacity: 373 litres
- FREEZER**
- Net capacity: 195 litres



**KA3902I20G**  
Americian Style Fridge Freezer

DESIGN / PERFORMANCE



**SPECIAL FEATURES - FRIDGE**

- 1 Height Adjustable Shelves
- 3 large and 1 small Door Trays
- LED Light
- SuperCool
- Warning Signal
- Magnetic door seals

**FOOD PRESERVATION**

- 2 x FreshSafe 2
- MultiAirflow
- Cooling Circuit

**SPECIAL FEATURES - FREEZER**

- SuperFreeze
- 2 FreezerDrawers

**ADDITIONAL FEATURES & ACCESSORIES - FRIDGE/FREEZER**

- Dimensions (cm) (HxWxD): 177 x 91 x 72
- Annual energy consumption: 436 kWh per year
- Magnetic door seals
- FRIDGE**
- Net capacity: 370 litres
- FREEZER**
- Net capacity: 157 litres



**KA3902B20G**  
Americian Style Fridge Freezer

DESIGN / PERFORMANCE



**SPECIAL FEATURES - FRIDGE**

- 4 safety glass shelves in fridge compartment of which 1 are height adjustable
- 3 large and 1 small Door Trays
- LED Light
- SuperCool
- Warning Signal
- Magnetic door seals

**FOOD PRESERVATION**

- 2 x FreshSafe 1
- MultiAirflow
- Cooling Circuit

**SPECIAL FEATURES - FREEZER**

- SuperFreeze
- 2 FreezerDrawers

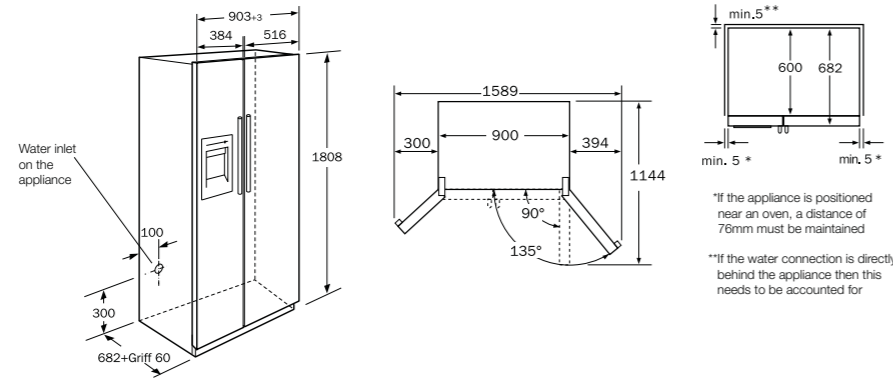
**ADDITIONAL FEATURES & ACCESSORIES - FRIDGE/FREEZER**

- Dimensions (cm) (HxWxD): 177 x 91 x 72
- Annual energy consumption: 436 kWh per year
- Magnetic door seals
- FRIDGE**
- Net capacity: 370 litres
- FREEZER**
- Net capacity: 157 litres





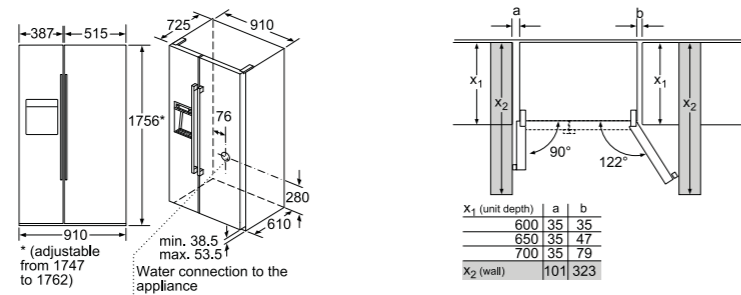
K3990X7GB



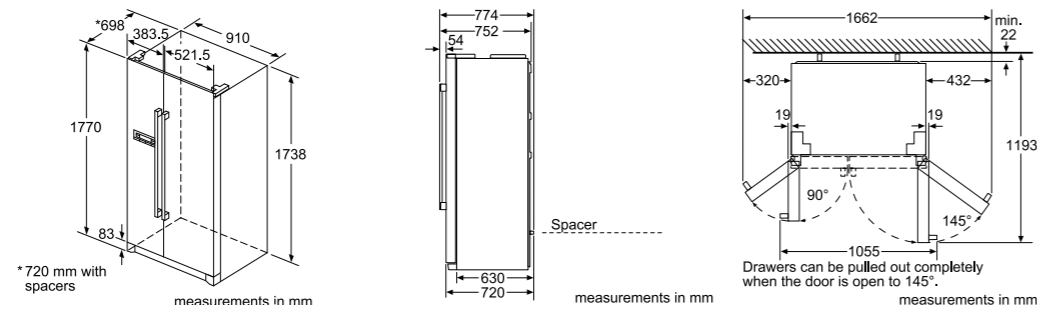
\*If the appliance is positioned near an oven, a distance of 76mm must be maintained

\*\*If the water connection is directly behind the appliance then this needs to be accounted for

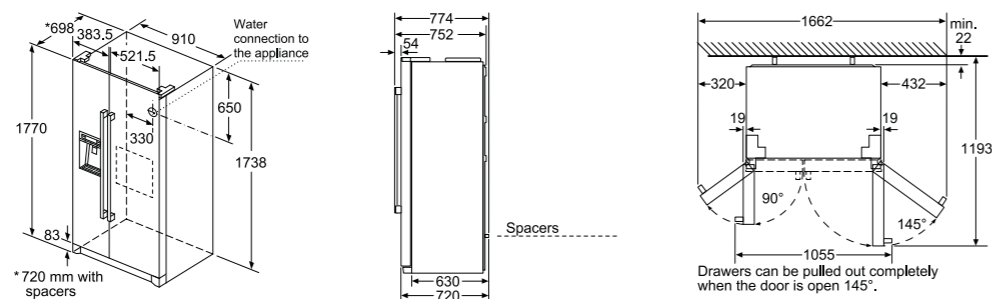
KA3923I20G



KA7902I20G



KA3902I20G, KA3902B20G



Measurements in mm. The line drawings featured in this brochure are provided as a guide to general dimensions only and are subject to amendment without prior notice. For full dimensional and installation details please refer to the documentation supplied with the appliance.

# FLEXIBLE STORAGE FRIDGE OR FREEZER

Our built-in combined fridge freezers are designed to offer the storage space you need. If fresh ingredients are part and parcel of your kitchen, a 70/30 fridge to freezer split is the ideal choice. Equally if bulk cooking and family life makes your freezer essential, a 50/50 split is a convenient solution.

K8345XO  
Built In Fridge Freezer

## DESIGN / PERFORMANCE



### SPECIAL FEATURES:

#### FRIDGE

- Automatic defrost fridge
- Bright interior LED fridge light
- 2 safety glass shelves in fridge compartment, 2 height adjustable glass shelves, 1 EasyLift glass shelf
- 2 vegetable containers
- 2 door bins,
- 1 extra deep with divider
- 1 Small door bins
- SuperCool function with automatic deactivation
- Magnetic door seals

#### FOOD PRESERVATION

- 10°C FreshSafe container "moist" (about 95% humidity) with rippled base for improved air circulation

- Constant temperature by intelligent sensor technology
- Twin LED electronic control panel
- Single compressor

### SPECIAL FEATURES:

#### FREEZER

- NoFrost freezer
- Automatic defrost freezer
- 4 star freezer rating
- Bottle rack
- 2 freezer drawers
- Freezing capacity in 24 hours: 12 kg
- Maximum freezer storage time in power failure 16 hours

## FUNCTIONS

- SuperCool function with automatic deactivation
- Freezer malfunction warning signal: optical and acoustical
- SuperFreeze function with automatic deactivation
- Acoustical door open warning signal

## ADDITIONAL FEATURES & ACCESSORIES -

### FRIDGE/FREEZER

- Annual energy consumption: 250 kWh per year
- Magnetic door seals

### FRIDGE

- Net capacity: 132 litres

### FREEZER

- Net capacity: 62 litres

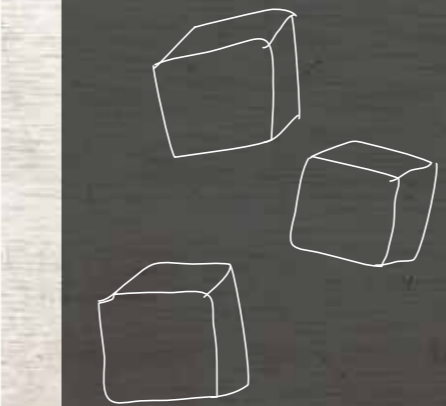
## DIMENSIONS (cm) (HxWxD)

- 177.2 x 55.6 x 54.5

# BUILT IN FRIDGE FREEZERS

With an energy efficiency rating of A++ and state of the art food preservation technology, our built-in fridge freezer range offers the ideal solution for busy families and passionate cooks.

Innovative refrigeration features include Telescopic FlexiRail® drawers for easy access, FreshSafe humidity controlled zones and efficient LED interior lighting. With NoFrost, LowFrost or manual defrost freezers available in the range, the freezer compartment delivers on intelligent features too.



Split  
70/30



## KI7863D30G

Built In Fridge Freezer

### DESIGN / PERFORMANCE



#### SPECIAL FEATURES - FRIDGE

- SoftClose door system
- LED light
- Two separate cooling circuits
- SuperCool function
- VarioShelf allows taller items to fit
- 5 removable safety glass shelves of which 4 are easy pull out
- FreshSafe 1
- Deep anti spill shelf with telescopic FlexiRail®
- Holiday mode
- Acoustic warning signals
- Magnetic door seals

#### FOOD PRESERVATION

- FreshSafe 2 compartment keeps food fresher for twice as long
- VitaControl – Constant temperature by sensor technology
- Electronic control for fridge and freezer

#### SPECIAL FEATURES - FREEZER

- NoFrost, never have to defrost again
- SuperFreeze function
- 3 freezer drawers
- 1 ice cube tray

#### ADDITIONAL FEATURES & ACCESSORIES – FRIDGE/FREEZER

- Annual energy consumption: 223 kWh per year
- Magnetic door seals

#### FRIDGE

- Net capacity: 189 litres

#### FREEZER

- Net capacity: 68 litres

#### DIMENSIONS (cm) (HxWxD)

- 177.2 x 55.8 x 54.5

Split  
60/40



## KI6873F30G

Built In Fridge Freezer

### DESIGN / PERFORMANCE



#### SPECIAL FEATURES - FRIDGE

- LED light
- Two separate cooling circuits for independent control
- Fixed hinge system/reversible door
- Removable magnetic door seals

#### FOOD PRESERVATION

- HydroFresh compartment keeps food fresher for twice as long
- VitaControl – Constant temperature by sensor technology
- Electronic control for accuracy and exact temperature

#### SPECIAL FEATURES – FREEZER

- SuperCool function
- 5 removable safety glass shelves of which 4 are easy pull out
- Acoustic warning signals
- LowFrost, wraparound evaporator means less defrosting
- SuperFreeze function
- 2 freezer drawers

#### ADDITIONAL FEATURES & ACCESSORIES – FRIDGE/FREEZER

- Annual energy consumption: 226 kWh per year
- Magnetic door seals

#### FRIDGE

- Net capacity: 211 litres

#### FREEZER

- Net capacity: 61 litres

#### DIMENSIONS (cm) (HxWxD)

- 177.2 x 55.8 x 54.5

Split  
70/30



## KI7853D30G

Built In Fridge Freezer

### DESIGN / PERFORMANCE



#### SPECIAL FEATURES - FRIDGE

- SoftClose door system
- LED light
- Two separate cooling circuits
- SuperCool function
- VarioShelf allows taller items to fit
- 5 removable safety glass shelves of which 4 are easy pull out
- FreshSafe 1
- Deep anti spill shelf with telescopic FlexiRail®
- Holiday mode
- Acoustic warning signals
- Magnetic door seals

#### FOOD PRESERVATION

- FreshSafe 2 compartment keeps food fresher for twice as long
- VitaControl – Constant temperature by sensor technology
- Electronic control for fridge and freezer

#### SPECIAL FEATURES - FREEZER

- NoFrost, never have to defrost again
- SuperFreeze function
- 3 freezer drawers
- 1 ice cube tray

#### ADDITIONAL FEATURES & ACCESSORIES – FRIDGE/FREEZER

- Annual energy consumption: 232 kWh per year
- Magnetic door seals

#### FRIDGE

- Net capacity: 189 litres

#### FREEZER

- Net capacity: 68 litres

#### DIMENSIONS (cm) (HxWxD)

- 177.2 x 55.8 x 54.5

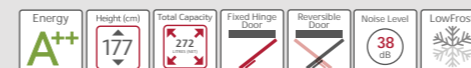
Split  
50/50



## KI6863F30G

Built In Fridge Freezer

### DESIGN / PERFORMANCE



#### SPECIAL FEATURES – FRIDGE

- 4 Height Adjustable Shelves
- VarioShelf
- 4 Door Trays
- LED Light

#### FOOD PRESERVATION

- FreshSafe 1
- Electronic Control
- Cooling Circuit

#### SPECIAL FEATURES – FREEZER

- 2 FreezerDrawer
- Big Box
- Glass Shelves
- Easy Pull out Shelves

#### ADDITIONAL FEATURES & ACCESSORIES – FRIDGE/FREEZER

- Annual energy consumption: 227 kWh per year

#### FRIDGE

- Net capacity: 209 litres

#### FREEZER

- Net capacity: 63 litres

#### DIMENSIONS (cm) (HxWxD)

- 177.2 x 54.1 x 54.5

Split  
60/40



## KI7862F30G

Built In Fridge Freezer

### DESIGN / PERFORMANCE



#### SPECIAL FEATURES - FRIDGE

- Fixed hinge
- LED Electronic control
- Right hinged door, reversible
- Removable magnetic door seals – easy to clean
- 4 door bins
- Bright interior LED fridge light
- 4 safety glass shelves of which 3 are height adjustable
- FreshSafe 1 container with rippled base for improved air circulation
- 2 x cold accumulator, 2 x egg tray, 1 x ice cube tray
- Magnetic door seals

#### FOOD PRESERVATION

- FreshSense – constant temperature by intelligent sensor technology
- Single cooling circuit

#### SPECIAL FEATURES - FREEZER

- Freezing capacity in 24 hours: 8 kg
- Maximum freezer storage time in power failure: 13 hours
- Removable safety glass shelves in freezer
- 3 transparent freezer drawers, 1 bigbox
- 4 star freezer rating
- Freezing capacity in 24 hours: 8 kg

- Maximum freezer storage time in power failure: 13 hours
- SuperFreeze function with automatic deactivation
- Acoustical door open warning signal

#### ADDITIONAL FEATURES & ACCESSORIES – FRIDGE/FREEZER

- Annual energy consumption: 222 kWh per year
- Magnetic door seals

#### FRIDGE

- Net capacity: 188 litres

#### FREEZER

- Net capacity: 67 litres

#### DIMENSIONS (cm) (HxWxD)

- 177.2 x 53.8 x 54.2

Split  
60/40



## KI5872F30G

Built In Fridge Freezer

### DESIGN / PERFORMANCE



#### SPECIAL FEATURES - FRIDGE

- 5 Safety Glass Shelves, of which 4 are Height Adjustable
- VarioShelf
- 4 Door Trays
- LED Light

#### FOOD PRESERVATION

- FreshSafe 1
- Electronic Control
- Cooling Circuit

#### SPECIAL FEATURES – FREEZER

- 2 FreezerDrawer
- Big Box
- Glass Shelves
- Easy Pull out Shelves

#### ADDITIONAL FEATURES & ACCESSORIES – FRIDGE/FREEZER

- Annual energy consumption: 227 kWh per year
- Magnetic door seals

#### FRIDGE

- Net capacity: 209 litres

#### FREEZER

- Net capacity: 63 litres

#### DIMENSIONS (cm) (HxWxD)

- 177.2 x 54.1 x 54.5

Split  
70/30





## KI5872S30G

Built In Fridge Freezer

### DESIGN / PERFORMANCE



#### SPECIAL FEATURES - FRIDGE

- 5 Safety Glass Shelves, of which 4 are Height Adjustable
- VarioShelf
- 5 Door Trays
- LED Light

#### FOOD PRESERVATION

- FreshSafe 1
- Electronic Control
- Cooling Circuit

#### SPECIAL FEATURES - FREEZER

- 2 FreezerDrawer
- Big Box
- Glass Shelves
- Easy Pull out Shelves

#### ADDITIONAL FEATURES & ACCESSORIES -

- FRIDGE/FREEZER**
- Annual energy consumption: 227 kWh per year
- Magnetic door seals

#### FRIDGE

- Net capacity: 209 litres

#### FREEZER

- Net capacity: 63 litres

#### DIMENSIONS (cm) (HxWxD)

- 177.2 x 54.1 x 54.5

Split  
70/30



## K4254X7GB

Built In Fridge Freezer

### DESIGN / PERFORMANCE



#### SPECIAL FEATURES - FRIDGE

- Daylight enhanced interior light
- One cooling circuit
- Fixed hinge system/reversible door
- 4 removable safety glass shelves of which 3 are easy pull out
- Magnetic door seals

#### FOOD PRESERVATION SYSTEM

- FreshSafe 1
- Electronic control for accuracy and exact temperature

#### SPECIAL FEATURES - FREEZER

- Manual defrost
- SuperFreeze function
- 4 freezer drawers

#### ADDITIONAL FEATURES & ACCESSORIES -

- FRIDGE/FREEZER**
- Annual energy consumption: 287 kWh per year
- Magnetic door seals

#### FRIDGE

- Net capacity: 168 litres

#### FREEZER

- Net capacity: 94 litres

#### DIMENSIONS (cm) (HxWxD)

- 177.2 x 54.1 x 54.5

Split  
50/50



## K9524X7GB

Built In Fridge Freezer

### DESIGN / PERFORMANCE



#### SPECIAL FEATURES - FRIDGE

- Manual defrost freezer
- Fixed hinge
- Right hinged door, reversible
- Electronic control (LED chain)
- Removable magnetic door seals - easy to clean
- Magnetic door seals
- Automatic defrost fridge
- Interior fridge light (1x 25 Watt)
- 5 safety glass shelves in fridge compartment of which 4 are height adjustable

#### FOOD PRESERVATION

- FreshSafe 1
- Electronic control (LED chain)
- Single cooling circuit

#### SPECIAL FEATURES - FREEZER

- Manual defrost freezer
- 4 star freezer rating
- 3 freezer drawers
- Freezing capacity in 24 hours: 6 kg
- Maximum freezer storage time in power failure: 22 hours
- SuperFreeze function with automatic deactivation

#### ADDITIONAL FEATURES & ACCESSORIES -

- FRIDGE/FREEZER**
- Annual energy consumption: 257 kWh per year
- Magnetic door seals

#### FRIDGE

- Net capacity: 218 litres

#### FREEZER

- Net capacity: 58 litres

#### DIMENSIONS (cm) (HxWxD)

- 177.2 x 54.1 x 54.5

Split  
70/30



## KI5862S30G

Built In Fridge Freezer

### DESIGN / PERFORMANCE



#### SPECIAL FEATURES - FRIDGE

- 3 Height Adjustable Shelves
- 4 Door Trays
- LED Light

#### FOOD PRESERVATION

- FreshSafe 1
- Electronic Control
- Cooling Circuit

#### SPECIAL FEATURES - FREEZER

- 3 FreezerDrawer
- Big Box
- Glass Shelves
- Easy Pull out Shelves

#### ADDITIONAL FEATURES & ACCESSORIES -

- FRIDGE/FREEZER**
- Annual energy consumption: 231 kWh per year
- Magnetic door seals

#### FRIDGE

- Net capacity: 191 litres

#### FREEZER

- Net capacity: 76 litres

#### DIMENSIONS (cm) (HxWxD)

- 177.2 x 54.1 x 54.5

Split  
60/40



## KI5852F30G

Built In Fridge Freezer

### DESIGN / PERFORMANCE



#### SPECIAL FEATURES - FRIDGE

- 3 Height Adjustable Shelves
- 4 Door Trays
- LED Light

#### FOOD PRESERVATION

- FreshSafe 1 drawer
- Electronic Control
- Cooling Circuit

#### SPECIAL FEATURES - FREEZER

- 4 FreezerDrawer
- Big Box
- Glass Shelves
- Easy Pull out Shelves

#### ADDITIONAL FEATURES & ACCESSORIES -

- FRIDGE/FREEZER**
- Annual energy consumption: 239 kWh per year
- Magnetic door seals

#### FRIDGE

- Net capacity: 157 litres

#### FREEZER

- Net capacity: 102 litres

#### DIMENSIONS (cm) (HxWxD)

- 177.2 x 54.1 x 54.5

Split  
50/50



## KI5852S30G

Built In Fridge Freezer

### DESIGN / PERFORMANCE



#### SPECIAL FEATURES - FRIDGE

- 3 Height Adjustable Shelves
- 4 Door Trays
- LED Light

#### FOOD PRESERVATION

- FreshSafe 1 drawer
- Electronic Control
- Cooling Circuit

#### SPECIAL FEATURES - FREEZER

- 3 FreezerDrawer
- Big Box
- Glass Shelves
- Easy Pull out Shelves

#### ADDITIONAL FEATURES & ACCESSORIES -

- FRIDGE/FREEZER**
- Annual energy consumption: 231 kWh per year
- Magnetic door seals

#### FRIDGE

- Net capacity: 157 litres

#### FREEZER

- Net capacity: 102 litres

#### DIMENSIONS (cm) (HxWxD)

- 177.2 x 54.1 x 54.5

Split  
50/50

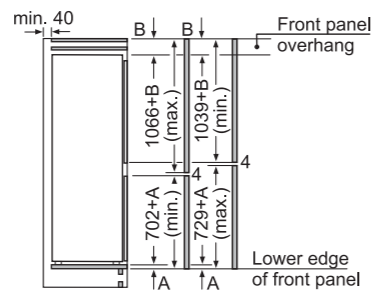
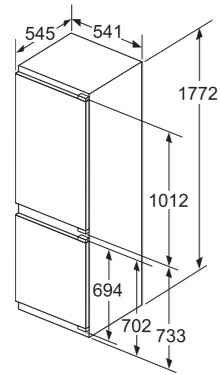




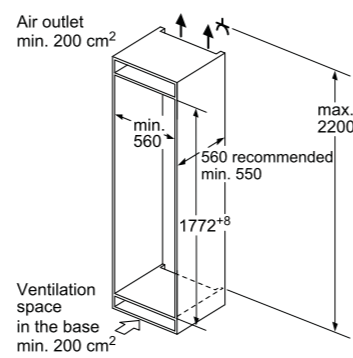




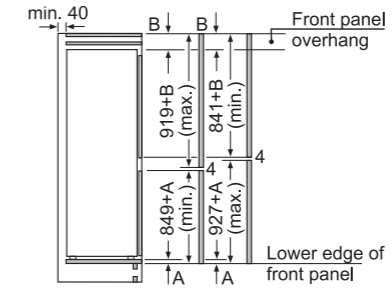
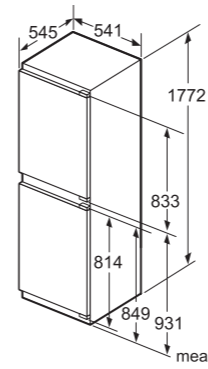
KI7862F30G, KI6863F30G



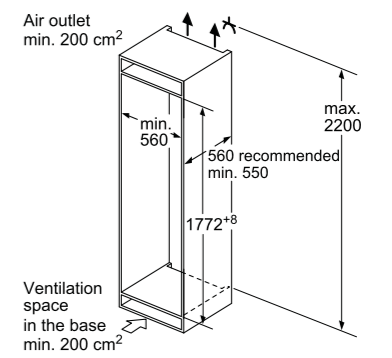
The specified unit door dimensions are valid for a door gap of 4 mm.



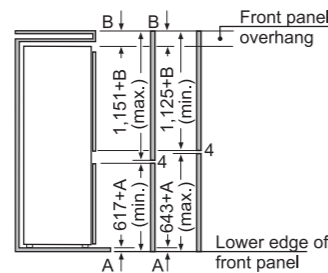
K4254X7GB



The specified unit door dimensions are valid for a door gap of 4 mm.

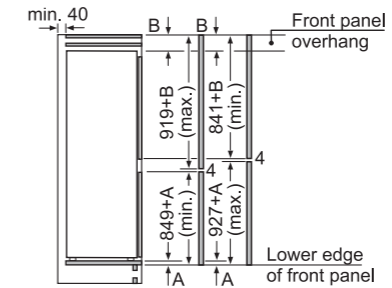
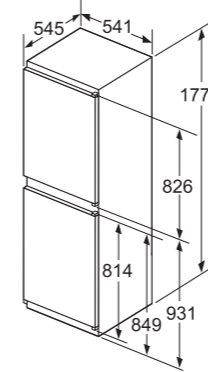


K9524X7GB

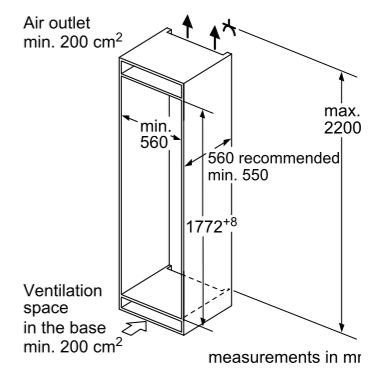


The specified unit door dimensions are valid for a door gap of 4 mm. If a different gap width is used (max. 14 mm), the dimensions must be adjusted.

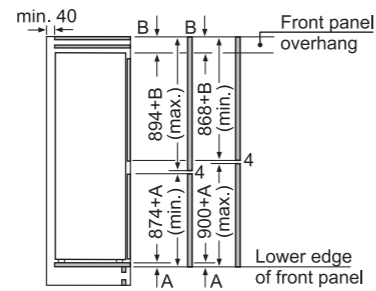
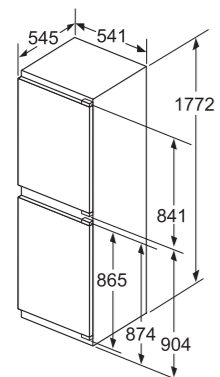
KI5852S30G



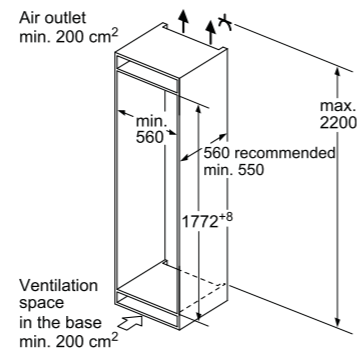
The specified unit door dimensions are valid for a door gap of 4 mm.



KI5852F30G

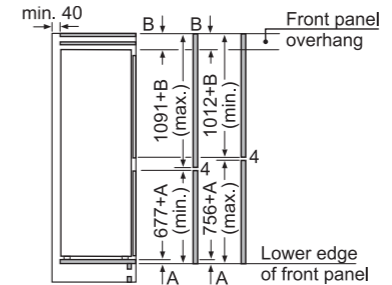
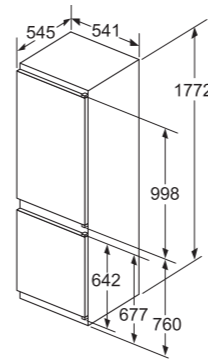


The specified unit door dimensions are valid for a door gap of 4 mm.

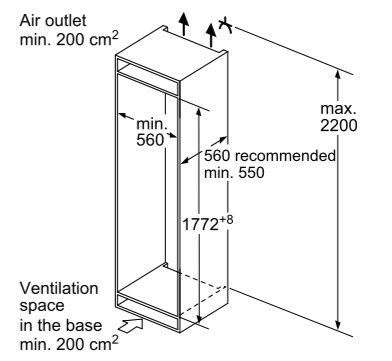


Measurements in mm.  
The line drawings featured in this brochure are provided as a guide to general dimensions only and are subject to amendment without prior notice.  
For full dimensional and installation details please refer to the documentation supplied with the appliance.

KI5862S30G



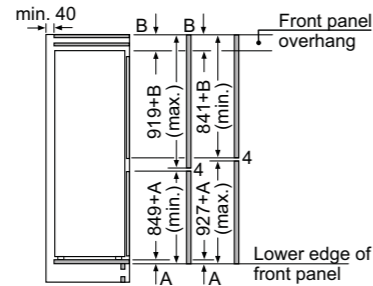
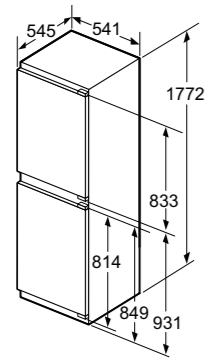
The specified unit door dimensions are valid for a door gap of 4 mm.



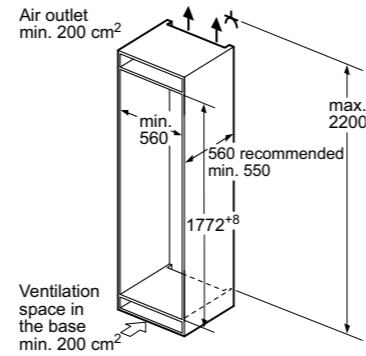
Measurements in mm.  
The line drawings featured in this brochure are provided as a guide to general dimensions only and are subject to amendment without prior notice.  
For full dimensional and installation details please refer to the documentation supplied with the appliance.



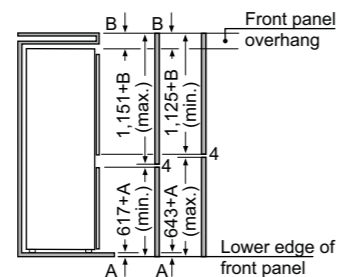
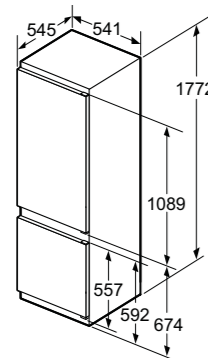
K4204X8GB



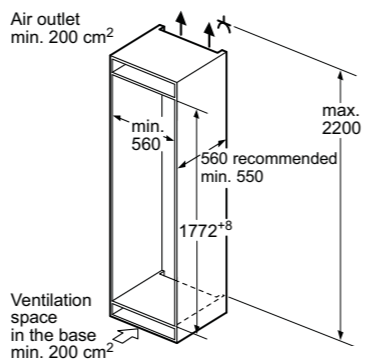
The specified unit door dimensions are valid for a door gap of 4 mm.



K8524X8GB



The specified unit door dimensions are valid for a door gap of 4 mm. If a different gap width is used (max. 14 mm), the dimensions must be adjusted.

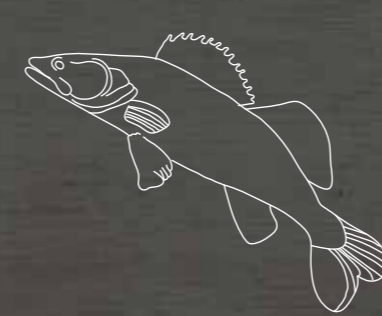


Measurements in mm.  
The line drawings featured in this brochure are provided as a guide to general dimensions only and are subject to amendment without prior notice.  
For full dimensional and installation details please refer to the documentation supplied with the appliance.

# IDEAL FOR BUSY KITCHENS

With a host of innovative preservation features, our single door fridges & freezers are the perfect choice for Cookaholics who like to cook with the freshest ingredients. Designed for flexible installation. It's possible to place our 177cm fridge side by side with a NEFF 177cm freezer.

177CM HIGH FRIDGES AND FREEZERS



G8320XO  
Built In Single Door Fridge

K8315X0GB  
Built In Single Door Freezer

### DESIGN / PERFORMANCE



#### SPECIAL FEATURES – FRIDGE

- SoftClose door system
- LED interior light ensures no dark spaces
- Two cooling circuits
- SuperCool function
- 4 removable safety glass shelves of which 3 are easy pull out
- AirFresh filter to reduce food odours transferring to other foods
- EasyLift shelf
- EasyLift door compartments
- Telescopic FlexRail® drawers
- Chrome bottle rack
- Magnetic door seals

#### FOOD PRESERVATION SYSTEM

- FreshSafe 0°C compartment
- Dynamic cooling
- Electronic touch control

#### DIMENSIONS (cm) (HxWxD)

- 177.2 x 55.6 x 54.5

### DESIGN / PERFORMANCE



#### SPECIAL FEATURES – FREEZER

- SoftClose door system
- LED interior light ensures no dark spaces
- Two cooling circuits
- SuperCool function
- 4 removable safety glass shelves of which 3 are easy pull out
- AirFresh filter to reduce food odours transferring to other foods
- EasyLift shelf
- EasyLift door compartments
- Telescopic FlexRail® drawers
- Chrome bottle rack
- Magnetic door seals

#### FOOD PRESERVATION SYSTEM

- FreshSafe 0°C compartment
- Dynamic cooling
- Electronic touch control

#### DIMENSIONS (cm) (HxWxD)

- 177.2 x 55.6 x 54.5

## BUILT IN SINGLE DOOR FRIDGE & FREEZERS

### 177cm High - A spacious integrated solution

Designed to seamlessly fit around your kitchen design, our built-in solutions allow you to create a sleek integrated effect without compromising on valuable refrigeration space. Featuring FreshSense constant temperature control, an automatic defrost fridge and an A++ energy rating, our 177cm fridges & freezers are designed to save time and energy while providing the optimum environment for fresh meats, dairy produce and vegetables.





**GI7813E30G**  
Built In Single Door Freezer

DESIGN / PERFORMANCE



SPECIAL FEATURES

- SuperFreeze
- 5 FreezerDrawer
- Big Box
- Easy Pull out Shelves
- Magnetic door seals

FOOD PRESERVATION

- FreshSense
- Electronic Control
- Cooling Circuit

ADDITIONAL FEATURES & ACCESSORIES –

- Annual energy consumption: 243 kWh per year

DIMENSIONS (cm) (HxWxD)

- 177.2 x 55.8 x 54.5



**KI2822S30G**  
Built In Single Door Fridge with Ice Box

DESIGN / PERFORMANCE



SPECIAL FEATURES - FRIDGE

- 5 Safety Glass Shelves, of which 4 are Height Adjustable
- 5 Door Trays
- LED Light
- SuperCool
- 2 x Egg Trays
- Magnetic door seals

FOOD PRESERVATION

- FreshSafe 1
- Vegetable drawer
- Cooling Circuit

FREEZER ICEBOX

- 1 hinged freezer compartment
- Ice Cube Tray

ADDITIONAL FEATURES & ACCESSORIES –

- Annual energy consumption: 209 kWh per year

FRIDGE

- Net capacity: 252 litres

FREEZER

- Net capacity: 34 litres

DIMENSIONS (cm) (HxWxD)

- 177.2 x 54.1 x 54.5



**KI2823F30G**  
Built In Single Door Fridge

DESIGN / PERFORMANCE



SPECIAL FEATURES - FRIDGE

- One cooling circuit
- LED interior light ensures no dark spaces
- Fixed hinge system/reversible door
- 5 removable safety glass shelves of which 4 are easy pull out
- Pull out fridge tray
- Magnetic door seals

FOOD PRESERVATION

- Electronic control for accuracy and exact temperature control
- VitaControl – Constant temperature by sensor technology
- DynamicCooling

SPECIAL FEATURES – FREEZER

- SuperFreeze function
- Manual defrost
- 4 star freezer compartment

DIMENSIONS (cm) (HxWxD)

- 177.2 x 55.8 x 54.5



**KI1812S30G**  
Built In Single Door Fridge

DESIGN / PERFORMANCE



SPECIAL FEATURES

- 7 Safety Glass Shelves of which 6 are Height Adjustable
- 6 Door Trays
- LED interior light
- SuperCool
- Magnetic door seals

FOOD PRESERVATION

- FreshSafe 1
- FreshSense
- VitaControl – Constant temperature by sensor technology
- Electronic Control (LED chain)
- Cooling Circuit

ADDITIONAL FEATURES & ACCESSORIES –

- Annual energy consumption: 116 kWh per year

DIMENSIONS (cm) (HxWxD)

- 177.2 x 54.1 x 54.5



**KI1813F30G**  
Built In Single Door Fridge

DESIGN / PERFORMANCE



SPECIAL FEATURES

- 7 Safety Glass Shelves of which 6 are Height Adjustable
- 6 Door Trays
- LED interior light
- SuperCool
- Magnetic door seals

FOOD PRESERVATION

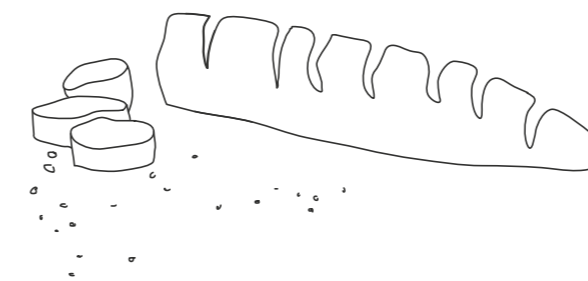
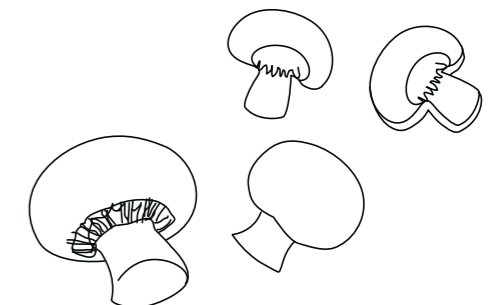
- FreshSafe 1
- FreshSense
- VitaControl – Constant temperature by sensor technology
- Electronic Control (LED chain)
- Cooling Circuit

ADDITIONAL FEATURES & ACCESSORIES –

- Annual energy consumption: 116 kWh per year

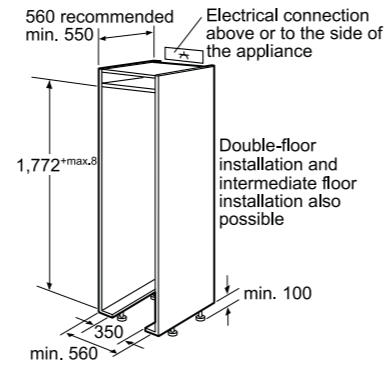
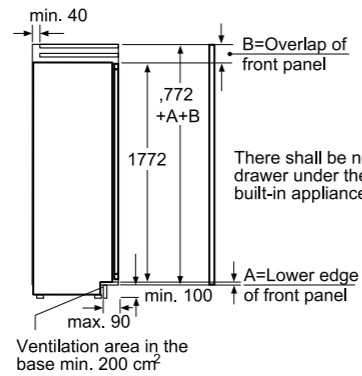
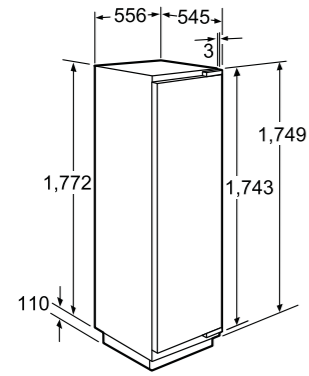
DIMENSIONS (cm) (HxWxD)

- 177.2 x 54.1 x 54.5

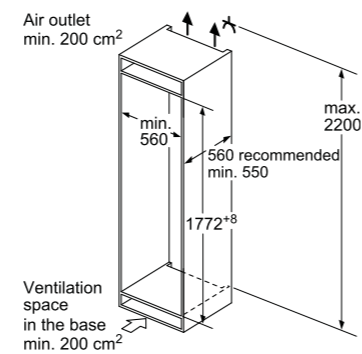
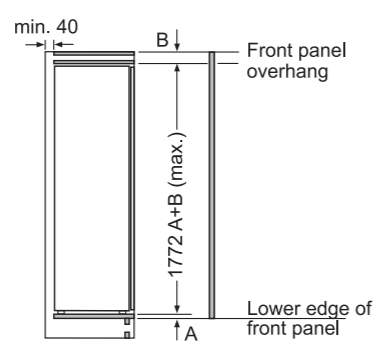
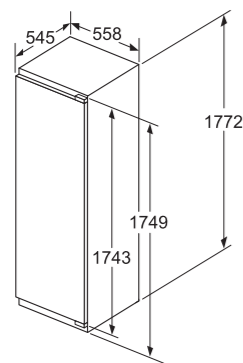




G8320X0, K8315X0GB

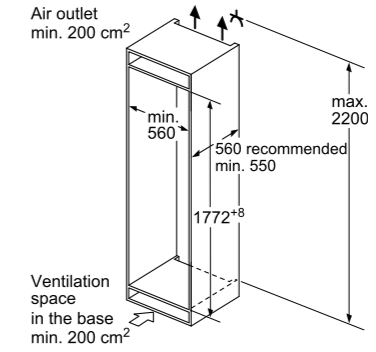
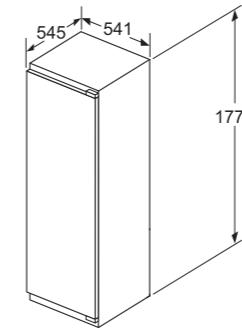


GI7813E30G, KI2823F30G, KI1813F30G

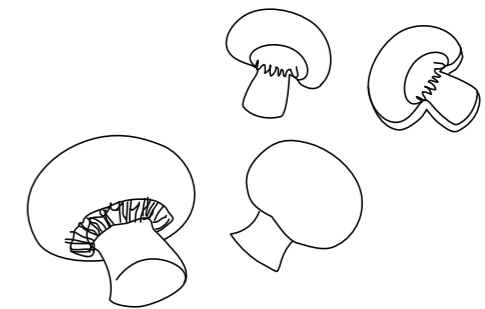


Measurements in mm.  
The line drawings featured in this brochure are provided as a guide to general dimensions only and are subject to amendment without prior notice.  
For full dimensional and installation details please refer to the documentation supplied with the appliance.

KI2822S30G, KI1812S30G



Measurements in mm.  
The line drawings featured in this brochure are provided as a guide to general dimensions only and are subject to amendment without prior notice.  
For full dimensional and installation details please refer to the documentation supplied with the appliance.

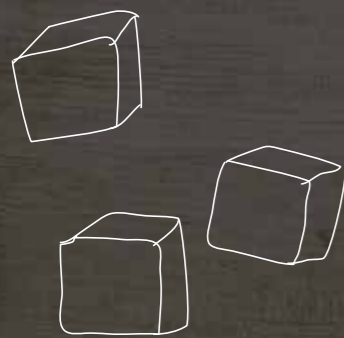




# PLENTY OF SPACE FOR FAMILY LIFE

Offering generous fridge and freezer space, our 140cm model offers plenty of storage space without impacting on your kitchen space.

140CM HIGH FRIDGES



## KI8513D30G Built In Single Door Fridge

### DESIGN / PERFORMANCE



#### SPECIAL FEATURES - FRIDGE

- LED Electronic control
- 5 safety glass shelves (4 height adjustable), of which Non adjustable bottom shelf, Easy access shelf
- Vario shelf – useful storage when required
- Easy access shelf – easy access and everything in sight
- 4 door trays, including 1x dairy compartment
- Interior design with metal applications
- Bright interior LED fridge light
- SuperCool function with automatic deactivation
- Magnetic door seals

#### DIMENSIONS (cm) (HxWxD)

139.7 x 55.8 x 54.5

## G8120X0 Built In Single Door Freezer

### DESIGN / PERFORMANCE



#### SPECIAL FEATURES - FREEZER

- SoftClose door system
- LED interior light ensures no dark spaces
- Fixed hinge system/reversible door
- NoFrost, never have to defrost again
- SuperFreeze function
- 4 freezer drawers/1 freezer flap
- Optical and acoustic alarms
- Removable magnetic door seals

#### FOOD PRESERVATION SYSTEM

- FreshSense – constant temperature by intelligent sensor technology
- Two separate cooling circuits allow independent temperature control and prevents the transference of humidity between the fridge and freezer cavity

#### DIMENSIONS (cm) (HxWxD)

139.7 x 55.6 x 54.5

## K8115X0 Built In Single Door Fridge

### DESIGN / PERFORMANCE



#### SPECIAL FEATURES

- Two cooling circuits
- SoftClose door system
- LED interior light ensures no dark spaces
- Fixed hinge system/reversible door

#### FRIDGE

- SuperCool function
- 4 removable safety glass shelves of which 3 are easy pull out
- AirFresh filter to reduce food odours transferring to other foods
- EasyLift shelf
- EasyLift door compartments
- Telescopic FlexiRail® drawers
- Removable magnetic door seals

#### FOOD PRESERVATION

- FreshSafe 0°C compartment
- Electronic control for accuracy and exact temperature control
- Dynamic cooling

#### DIMENSIONS (cm) (HxWxD)

139.7 x 55.6 x 54.5



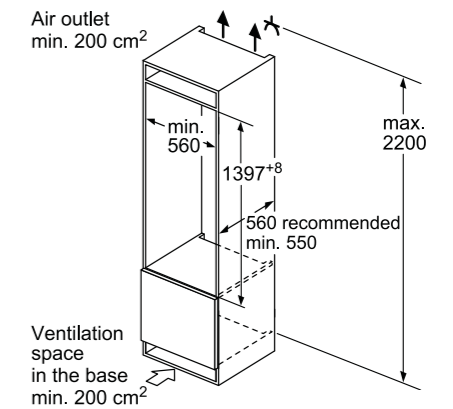
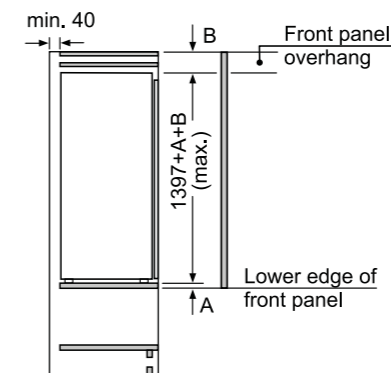
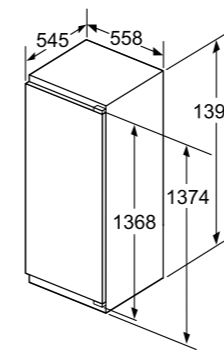
## BUILT IN SINGLE DOOR FRIDGE & FREEZERS

**140cm High - Installation options to suit your lifestyle**

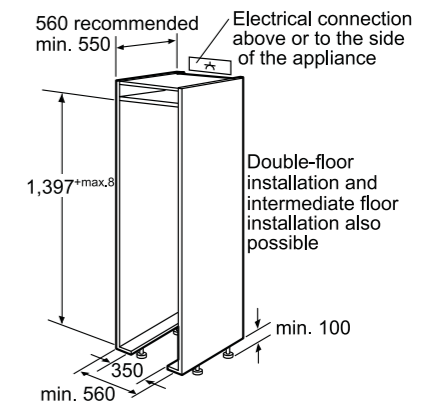
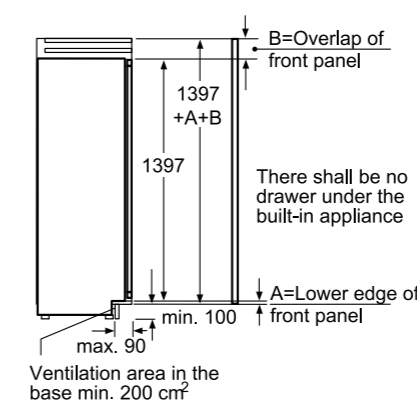
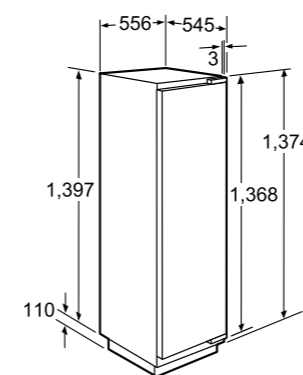
Seamlessly integrating into your kitchen design, it's entirely possible to place our 140cm fridge side by side with a 140cm freezer. Popular with busy family kitchens, your fridge can be installed with a left hinge and your freezer can be installed with a right hinge (or vice versa). This allows you to create a seamless side by side solution which offers all of the space you need.



### KI8513D30G, G8120X0



### K8115X0



Measurements in mm.  
The line drawings featured in this brochure are provided as a guide to general dimensions only and are subject to amendment without prior notice.  
For full dimensional and installation details please refer to the documentation supplied with the appliance.



# BRIMMING WITH CLEVER FEATURES

With compartments and solutions for all of your favourite ingredients, our 122cm fridge & freezer is full of clever features to keep your food in the best possible condition.



## KI8413D30G Built In Single Door Fridge

### DESIGN / PERFORMANCE



### SPECIAL FEATURES - FRIDGE

- SuperFreeze
- 4 FreezerDrawer
- Big Box
- Glass Shelves
- Easy Pull out Shelves
- Magnetic door seals

### FOOD PRESERVATION

- FreshSense
- Electronic Control
- Cooling Circuit 1,2

### ADDITIONAL FEATURES & ACCESSORIES

- Annual energy consumption: 188 kWh per year

### DIMENSIONS (cm) (HxWxD)

- 122.1 x 55.8 x 54.5

## GI7413E30G Built In Single Door Freezer

### DESIGN / PERFORMANCE



### SPECIAL FEATURES - FREEZER

- NoFrost
- SuperFreeze
- 4 compartments

### DIMENSIONS (cm) (HxWxD)

- 122.1 x 55.8 x 54.5

## KI2423D40G Built In Single Door Fridge

### DESIGN / PERFORMANCE



### SPECIAL FEATURES

- LED Electronic control

### FRIDGE

- 4 safety glass shelves (3 height adjustable), of which Non adjustable bottom shelf, Easy access shelf
- Vario shelf – useful storage when required
- Easy access shelf – easy access and everything in sight
- 3 door trays, including 1x dairy compartment
- Interior design with metal applications

- FreshSafe 1 compartment – keeps fruit and vegetables fresh for twice as long with rippled base for improved air circulation
- Bright interior LED fridge light
- SuperCool function with automatic deactivation
- Acoustical door open warning signal
- Magnetic door seals

### FOOD PRESERVATION

- FreshSense – constant temperature by intelligent

- sensor technology
- Two separate cooling circuits allow independent temperature control and prevents the transference of humidity between the fridge and freezer cavity

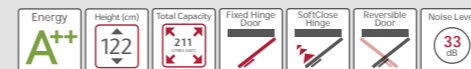
### DIMENSIONS (cm) (HxWxD)

- 122.1 x 55.8 x 54.5



## KI1413D30G Built In Single Door Fridge

### DESIGN / PERFORMANCE



### SPECIAL FEATURES

- LED Electronic control

### FRIDGE

- LED Electronic control
- Bright interior LED fridge light
- SuperCool function with automatic deactivation
- Acoustical door open warning signal
- 6 safety glass shelves (5 height adjustable), of which Non adjustable bottom shelf, Easy Access shelf
- 4 door trays, including 1x dairy compartment

- FreshSafe 1 compartment – keeps fruit and vegetables fresh for twice as long with rippled base for improved air circulation
- Right hinged door, reversible
- 2 x egg tray
- Easy Pull out Shelves
- Removable magnetic door seals

### FOOD PRESERVATION

- FreshSense – constant temperature by intelligent sensor technology
- Single cooling circuit

### DIMENSIONS (cm) (HxWxD)

- 122.1 x 55.8 x 54.5



# BUILT IN SINGLE DOOR FRIDGE & FREEZERS

## 122cm High - Compact and clever

A slightly smaller size (122cm) makes this model perfect for kitchens where dining and preparation space takes precedence. This fridge & freezer more than makes up for less storage space with a range of innovative features to maximize shelf space. With Vario Shelf allowing for taller items and a generous FreshSafe humidity controlled compartment, there's plenty of room for your favourite food and drinks.





**KI2422S30G**  
Built In Single Door Fridge

**DESIGN / PERFORMANCE**



**SPECIAL FEATURES**

- Manual defrost freezer
- Sliding hinge
- Electronic control (LED chain)
- Right hinged door, reversible
- Electronic control (LED chain)
- Bright interior LED fridge light

Magnetic door seals

**FOOD PRESERVATION**

- FreshSense – constant temperature by intelligent sensor technology
- Single cooling circuit

**DIMENSIONS (cm) (HxWxD)**

- 122.5 x 56 x 55

**FRIDGE**

- SuperCool function with automatic deactivation
- 5 safety glass shelves (4 height adjustable), of which 1 vegetable container with rippled base for improved air circulation, 2 x egg tray, 1 x ice cube tray
- Manual defrost freezer



**KI1412S30G**  
Built In Single Door Fridge

**DESIGN / PERFORMANCE**



**SPECIAL FEATURES**

- LED interior light ensures no dark spaces
- Electronic control (LED chain)
- Right hinged door, reversible
- Electronic control (LED chain)
- Bright interior LED fridge light
- SuperCool function with automatic deactivation
- 6 safety glass shelves (5 height adjustable), of which Interior design with metal applications
- 1 vegetable container with rippled base for improved air circulation
- Magnetic door seals

**FOOD PRESERVATION**

- FreshSense – constant temperature by intelligent sensor technology
- Single cooling circuit

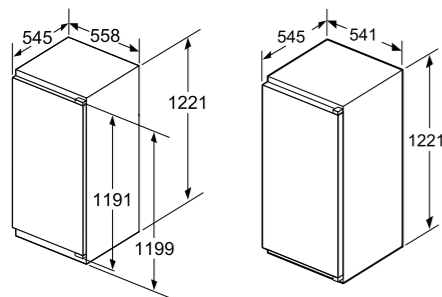
**DIMENSIONS (cm) (HxWxD)**

- 122.5 x 56 x 55



KI8413D30G,  
KI1413D30G,  
KI1413F30G,  
GI7413E30G

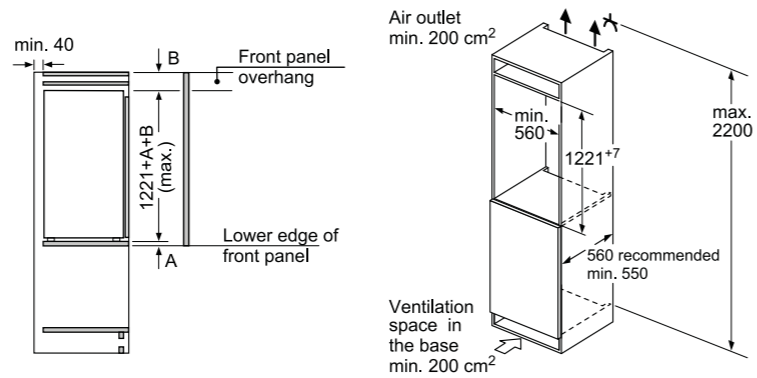
KI2423D40G,  
KI2422S30G,  
KI1412S30G



Measurements in mm.

The line drawings featured in this brochure are provided as a guide to general dimensions only and are subject to amendment without prior notice.

For full dimensional and installation details please refer to the documentation supplied with the appliance.



THE NEFF OVEN COLLECTIONS

HOB

VENTILATION

REFRIGERATION

DISHWASHING

LAUNDRY



# MIX AND MATCH TO CREATE THE ULTIMATE STACKED SOLUTION

When only a compact solution will do, we make sure that your cooling solution delivers everything you need. With the same great features found in our larger fridges & freezers, a smaller size doesn't mean you have to compromise on technology.

102CM HIGH FRIDGES



## KI1312F30G Built In Single Door Fridge

### DESIGN / PERFORMANCE



#### SPECIAL FEATURES - FRIDGE

- LED light
- 4 glass shelves
- 3 adjustable shelves

#### FOOD PRESERVATION

- FreshSafe 1

#### DIMENSIONS (cm) (HxWxD)

- 102.1 x 54.1 x 54.5

## GI7313E30G Built In Single Door Freezer

### DESIGN / PERFORMANCE



#### SPECIAL FEATURES - FREEZER

- NoFrost
- SuperFreeze
- 4 compartments
- 3 drawers
- DayLight

#### ADDITIONAL FEATURES & ACCESSORIES

- Magnetic door seals

#### DIMENSIONS (cm) (HxWxD)

- 102.1 x 55.8 x 54.5

## KI2323D40G Built In Single Door Fridge

### DESIGN / PERFORMANCE



#### SPECIAL FEATURES

- 4 safety glass shelves (3 height adjustable), of which Non adjustable bot tom shelf, Easy Access shelf
- Vario shelf useful storage when required
- Magnetic door seals

#### FOOD PRESERVATION

- FreshSafe 1
- LED Electronic Control

#### ADDITIONAL FEATURES

##### FRIDGE/FREEZER

- Annual energy consumption: 105 kWh per year

#### FRIDGE

- Net capacity: 109 litres

#### FREEZER ICEBOX

- Net capacity: 15 litres

#### DIMENSIONS (cm) (HxWxD)

- 102.1 x 55.8 x 54.5



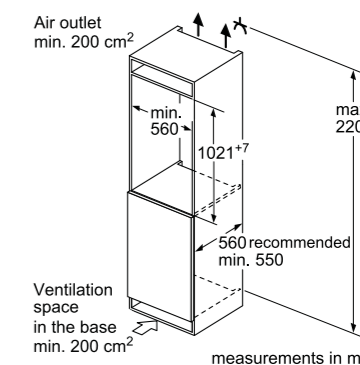
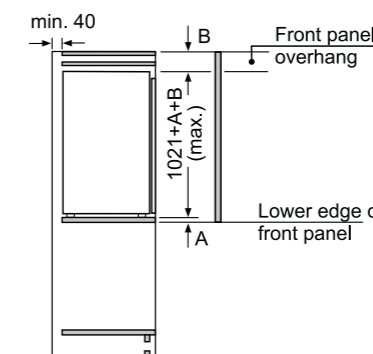
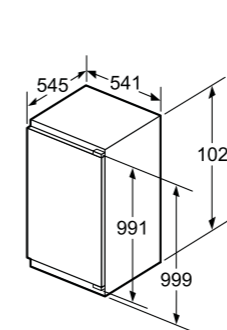
# BUILT IN SINGLE DOOR FRIDGE & FREEZERS

102cm High - Intelligent, energy efficient solutions

A smaller size shouldn't mean less functionality and our 102cm fridge & freezer delivers a range of innovative NEFF features. With a FreshSafe humidity-controlled drawer, VitaControl constant temperature control and SuperCool technology, the right temperature and conditions are always maintained.



### KI2323D40G, KI312F30G, GI7313E30G



Measurements in mm.  
The line drawings featured in this brochure are provided as a guide to general dimensions only and are subject to amendment without prior notice.  
For full dimensional and installation details please refer to the documentation supplied with the appliance.

For detailed specification on this model see page 211.



# CREATE YOUR OWN COOLING SOLUTION

Allowing for flexible over/under installation, our 87cm fridge can be placed either above or below a NEFF freezer. With the option to tailor your cooling and freezer installation, you benefit from a solution which perfectly responds to your family life.

87CM HIGH FRIDGES

## G5624X7GB Built In Single Door Freezer

### DESIGN / PERFORMANCE



### SPECIAL FEATURES - FRIDGE

- SuperFreeze
- 4 drawers

**DIMENSIONS (cm) (HxWxD)**  
87.4 x 54.1 x 54.2

## G1524X7GB Built In Single Door Freezer

### DESIGN / PERFORMANCE



### SPECIAL FEATURES - FRIDGE

- SuperFreeze
- 4 drawers

**DIMENSIONS (cm) (HxWxD)**  
87.4 x 54.1 x 54.2

## SINGLE DOOR FRIDGE & FREEZER



### The perfect 50/50 fridge & freezer combination

With the option to 'stack' our 87cm fridge & freezers, our installation solutions allow you to have more control over your fridge and freezer space. Designed to cater for kitchens where cooling and freezer storage is equally important, a 50/50 storage split provides the ideal solution for busy family kitchens.



## KI1212F30G Built In Single Door Fridge

### DESIGN / PERFORMANCE



### SPECIAL FEATURES

- One cooling circuit
- LED interior light ensures no dark spaces
- SuperCool function
- 4 removable safety glass shelves of which 3 are easy pull out
- Pull out fridge tray
- Magnetic door seals

### FOOD PRESERVATION

- Electronic control for accuracy and exact temperature control
- VitaControl – Constant temperature by sensor technology
- HydroFresh compartment keeps food fresh for twice as long

**DIMENSIONS (cm) (HxWxD)**  
87.4 x 53.8 x 54.2



## KI2222S30G Built In Single Door Fridge with Ice Box

### DESIGN / PERFORMANCE



### SPECIAL FEATURES

- 2 Height Adjustable Shelves
- 3 Door Trays
- LED Light
- SuperCool
- Magnetic door seals

### FOOD PRESERVATION

- FreshSafe 1
- LED Electronic Control

### ADDITIONAL FEATURES

#### FRIDGE/FREEZER

- Annual energy consumption: 168 kWh per year

### FRIDGE

- Net capacity: 109 litres

### FREEZER ICEBOX

- Net capacity: 15 litres

**DIMENSIONS (cm) (HxWxD):**  
87.4 x 54.1 x 54.5



## KI2222F30G Built In Single Door Fridge with Ice Box

### DESIGN / PERFORMANCE



### SPECIAL FEATURES

- 2 Height Adjustable Shelves
- 3 Door Trays
- LED Light
- SuperCool
- Magnetic door seals

### FOOD PRESERVATION

- FreshSafe 1
- LED Electronic Control

### ADDITIONAL FEATURES

#### FRIDGE/FREEZER

- Annual energy consumption: 168 kWh per year

### FRIDGE

- Net capacity: 109 litres

### FREEZER ICEBOX

- Net capacity: 15 litres

**DIMENSIONS (cm) (HxWxD):**  
87.4 x 54.1 x 54.5





## K11212S30G

Built In Single Door Fridge

### DESIGN / PERFORMANCE



#### SPECIAL FEATURES

- Sliding hinge
- Electronic control (LED chain)
- Right hinged door, reversible
- Single cooling circuit
- Electronic control (LED chain)
- Bright interior LED fridge light
- Interior design with metal applications
- Right hinged door, reversible
- Vario shelf – useful storage when required
- SuperCool function with automatic deactivation

- 4 safety glass shelves (3 height adjustable), of which 3 are easy pull out
- Easy access shelf – easy access and everything in sight
- Magnetic door seals

#### FOOD PRESERVATION SYSTEM

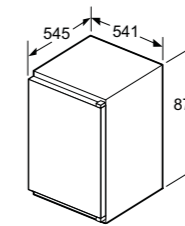
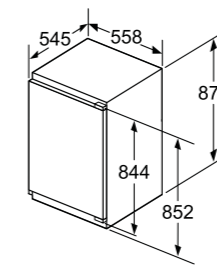
- FreshSense – constant temperature by intelligent sensor technology
- FreshSafe 1 with rippled base for improved air circulation

#### DIMENSIONS (cm) (HxWxD)

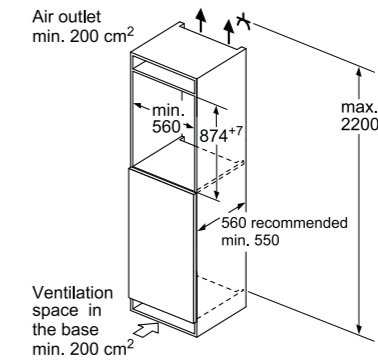
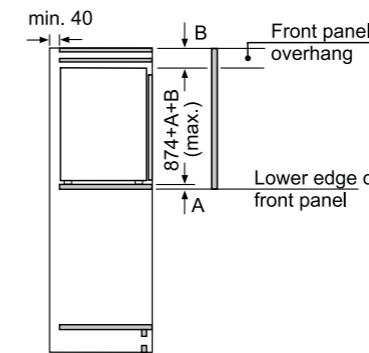
- 88 x 56 x 55



## K11212F30G, K12222S30G, K12222F30G, K11212S30G



\*K11212S30G



## K11213F30G

Built In Single Door Fridge

### DESIGN / PERFORMANCE



#### SPECIAL FEATURES

- One cooling circuit
- LED interior light ensures no dark spaces
- SuperCool
- Removable magnetic door seals

#### FOOD PRESERVATION

- Electronic control for accuracy and exact temperature control
- VitaControl – Constant temperature by sensor technology
- HydroFresh compartment keeps food fresh for twice as long

#### DIMENSIONS (cm) (HxWxD)

- 87.4 x 55.8 x 54.5



## K1514X7GB

## K1514X7GB

Built In Single Door Fridge

### DESIGN / PERFORMANCE

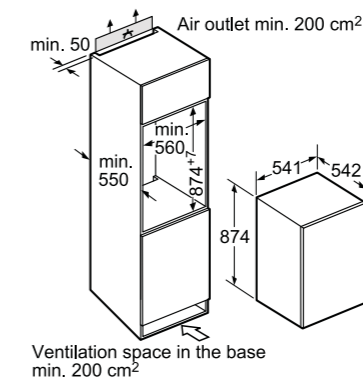


#### SPECIAL FEATURES

- Interior light
- Mechanical control
- 4 removable safety glass shelves of which 3 are easy pull out
- 1 vegetable drawer
- CircoCool Shelving
- Magnetic door seals

#### DIMENSIONS (cm) (HxWxD)

- 87.4 x 54.1 x 54.2



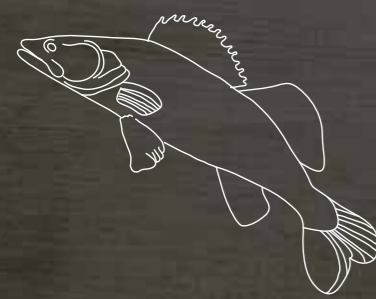
Measurements in mm.  
The line drawings featured in this brochure are provided as a guide to general dimensions only and are subject to amendment without prior notice.  
For full dimensional and installation details please refer to the documentation supplied with the appliance.



# CREATE YOUR OWN COOLING SOLUTION

Allowing for flexible over/under installation, our 82cm fridge can be placed either above or below a NEFF freezer. With the option to tailor your cooling and freezer installation, you benefit from a solution which perfectly responds to your family life.

82CM HIGH FRIDGES AND FREEZERS



## K4336X8GB Built Under Single Door Fridge

### DESIGN / PERFORMANCE



#### SPECIAL FEATURES - FRIDGE

- ⊗ Mechanical control
- ⊗ Daylight enhanced interior light
- ⊗ Fixed hinge system/reversible door
- ⊗ Removable magnetic door seals

#### DIMENSIONS (cm) (HxWxD)

- ⊗ 82 x 59.8 x 54.8

## G4344X7GB Built Under Single Door Freezer

### DESIGN / PERFORMANCE



#### SPECIAL FEATURES - FREEZER

- ⊗ Mechanical control
- ⊗ Fixed hinge system/reversible door
- ⊗ Removable magnetic door seals

#### DIMENSIONS (cm) (HxWxD)

- ⊗ 82 x 59.8 x 54.8

## K4316X7GB Built Under Single Door Fridge

### DESIGN / PERFORMANCE



#### SPECIAL FEATURES

- ⊗ Mechanical control
- ⊗ Daylight enhanced interior light
- ⊗ Fixed hinge system/reversible door
- ⊗ Removable magnetic door seals

#### FRIDGE

- ⊗ Autodefrost fridge
- ⊗ 3 removable safety glass shelves of which 2 are easy pull out
- ⊗ 1 vegetable drawer
- ⊗ Large pull out fridge tray
- ⊗ CircoCool Shelving

#### DIMENSIONS (cm) (HxWxD)

- ⊗ 82 x 59.8 x 54.8



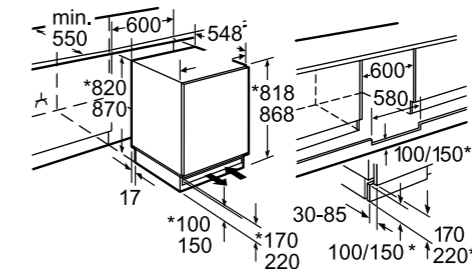
# BUILT UNDER SINGLE DOOR FRIDGE & FREEZERS

## The perfect 50/50 fridge & freezer combination

With the option to 'stack' our 82cm fridge & freezers, our installation solutions allow you to have more control over your fridge and freezer space. Designed to cater for kitchens where cooling and freezer storage is equally important, a 50/50 storage split provides the ideal solution for busy family kitchens.



### K4336X8GB, G4344X7GB

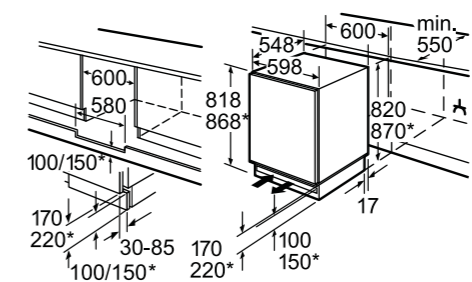


\* Variable base/substructure height

Space for electrical connection next to the appliance on the left or right-hand side. Ventilation space in the base.

Measurements in mm

### K4316X7GB



\* Variable base/substructure height

Space for electrical connection next to the appliance on the left or right-hand side. Ventilation in the base.

Measurements in mm.  
The line drawings featured in this brochure are provided as a guide to general dimensions only and are subject to amendment without prior notice.  
For full dimensional and installation details please refer to the documentation supplied with the appliance.



## AMERICAN FRIDGE FREEZER SPECIFICATIONS

MODEL NO.	K3990X7GB	KA3923I20G
<b>DESCRIPTION</b>		
Fridge freezer		
Single door freezer		
Single door fridge		
Built in integrated		
Built under integrated		
American side by side	•	•
Freestanding		
Wine cooler		
<b>PERFORMANCE &amp; CONSUMPTION</b>		
Energy efficiency rating	A+	A+
Total energy consumption per year kWh	422	443
Annual running costs based on 15.44p	65.15	68.4
Total net capacity litres	497	541
Refrigerator net capacity litres	333	368
Freezer net capacity litres	164	173
Noise (dB (A) re 1pW)	45	43
Climate class	SN-T	SN-T
<b>DESIGN FEATURES</b>		
SoftClose hinge		
Interior lighting	•	•
Number of cooling circuits	1	2
Hinge system	Left and right	Left and right
Reversible door		
Ice water dispenser	•	•
Warning signal/malfunction	•	•
Removable magnetic door seals	•	•
<b>FOOD PRESERVATION SYSTEM</b>		
FreshSafe 0°C (formerly known as VitaFresh®)	•	
FreshSafe 2 (formerly known as HydroFresh)		
FreshSafe (formerly known as vegetable/crisper box)	•	•
MultiAirflow cooling	•	•
VarioBox	•	
VitaControl		
ChillerSafe on FlexRail® drawers		•
Dynamic cooling	•	
AirFresh filter		
Type of control	Electronic	Electronic
<b>KEY FEATURES – FRIDGE</b>		
SuperCool function	•	•
Number of shelves/easy pull out	3,2	4,3
EasyLift shelf		1
EasyLift door compartments		
Bottle rack	•	•
Pull out fridge tray		
Number of vegetable drawers	2	1
Telescopic FlexRail® drawers		•
<b>KEY FEATURES – FREEZER</b>		
Defrost system/method	NoFrost	NoFrost
SuperFreeze function	•	•
Number of freezer drawers	2	2
Freezer star rating	4 star	4 star
Freezing capacity (kg) in 24 hours	10	12
Storage time in power failure hours	5	12
<b>TECHNICAL INFORMATION</b>		
Dimensions mm HxWxD	1808x903x682	1756x910x725
Packed dimensions mm HxWxD	1910x1030x870	1835x980x830
Packed weight	153	170
Approval certificates	CE	CE, VDE

## AMERICAN FRIDGE FREEZER SPECIFICATIONS

KA3902I20G	KA7902I20G	KA3902B20G
<b>DESCRIPTION</b>		
Fridge freezer		
Single door freezer		
Single door fridge		
Built in integrated		
Built under integrated		
American side by side	•	•
Freestanding		
Wine cooler		
<b>PERFORMANCE &amp; CONSUMPTION</b>		
Energy efficiency rating	A+	A+
Total energy consumption per year kWh	436	475
Annual running costs based on 15.44p	67.3	73.3
Total net capacity litres	533	573
Refrigerator net capacity litres	370	373
Freezer net capacity litres	163	200
Noise (dB (A) re 1pW)	43	44
Climate class	SN-T	SN-T
<b>DESIGN FEATURES</b>		
SoftClose hinge		
Interior lighting	•	•
Number of cooling circuits	1	1
Hinge system	Left and right	Left and right
Reversible door		
Ice water dispenser	•	•
Warning signal/malfunction	•	•
Removable magnetic door seals	•	•
<b>FOOD PRESERVATION SYSTEM</b>		
FreshSafe 0°C (formerly known as VitaFresh®)		
FreshSafe 2 (formerly known as HydroFresh)		
FreshSafe (formerly known as vegetable/crisper box)	•	•
MultiAirflow cooling	•	•
VarioBox		
VitaControl		
ChillerSafe on FlexRail® drawers		
Dynamic cooling		
AirFresh filter		
Type of control	Electronic	Electronic
<b>KEY FEATURES – FRIDGE</b>		
SuperCool function	•	•
Number of shelves/easy pull out	4,1	4,1
EasyLift shelf		•
EasyLift door compartments		
Bottle rack		
Pull out fridge tray		
Number of vegetable drawers	2	2
Telescopic FlexRail® drawers		
<b>KEY FEATURES – FREEZER</b>		
Defrost system/method	NoFrost	NoFrost
SuperFreeze function	•	•
Number of freezer drawers	2	2
Freezer star rating	4 star	4 star
Freezing capacity (kg) in 24 hours	11	12
Storage time in power failure hours	4	4
<b>TECHNICAL INFORMATION</b>		
Dimensions mm HxWxD	7440x3779x3070	1770x910x720
Packed dimensions mm HxWxD	1890x960x780	1840x970x767
Packed weight	112	109
Approval certificates	CE	CE



## BUILT IN FRIDGE FREEZERS SPECIFICATIONS

MODEL NO.	K8345X0	KI7863D30G	KI7853D30G	KI7862F30G	KI6873F30G	KI6863F30G
<b>PERFORMANCE AND CONSUMPTION</b>						
Energy efficiency class	A++	A++	A++	A++	A++	A++
Energy consumption annual (kWh/annum)	247	221	232	222	225	218
Total unit net capacity (litres)	245	255	246	255	270	265
Refrigerator net capacity (litres)	484	188	154	188	209	191
Freezer net capacity (litres)	61	67	67	67	61	74
Temperature rise time (H)	16	13	13	13	26	32
Freezing capacity (kg/24h)	12	8	9	8	7	7
Storage period in event of power failure (H)	16	13	13	13	26	32
Climate class	SN-ST	SN-ST	SN-ST	SN-ST	SN-T	SN-ST
Noise level (db(A) re 1 pW)	39	39	39	39	36	36
<b>DESIGN FEATURES</b>						
Type of hinge	Fixed / flat hinge	Fixed / flat hinge	Fixed / flat hinge	Fixed / flat hinge	Fixed / flat hinge	Fixed / flat hinge
Door hinge	Right reversible	Right reversible	Right reversible	Right reversible	Right reversible	Right reversible
Light	●	●	●	●	●	●
Frost free system	Full no frost	Full no frost	Full no frost	Full no frost	Low frost	Low frost
Fast cooling switch	●	●	●	●	●	●
Fast freezing switch	●	●	●	●	●	●
Number of compressors	1	1	1	1	1	1
Star rating	4	4	4	4	4	4
<b>FOOD PRESERVATION SYSTEM</b>						
FreshSafe 0°C (formerly known as VitaFesh)	●					
FreshSafe II (formerly known as HydroFresh)		●	●	●		
Anti bacterial						
<b>KEY FEATURES - FRIDGE</b>						
Thermometer fridge section	Digital	Digital	Digital	Digital	Digital	Digital
Range of temperature (°C)	0, 4 8	4 8	4 8	4 8	4 8	4 8
Number of shelves in fridge compartment	4	5	4	4	5	5
Number of adjustable shelves in fridge compartment	2	4	3	3	4	4
Material of the shelves	Glass	Glass	Glass	Glass	Glass	Glass
Temperature display fridge	digital 7 segment	digital 7 segment	digital 7 segment	digital 7 segment	digital 7 segment	digital 7 segment
Number of door bins - refrigerator	1	3	1	3	3	3
Door bin adjustability - refrigerator	●					
Tilt out door bins in fridge	●	●	●	●	●	●
Type of shelves fridge				Stationary		
Light wattage refrigerator						
Egg bin	●	●	●	●	●	●
No. Of egg racks	2	2	2	2	2	2
No. Of door shelves	5	5	3	4	5	5
No. Of shelves in fridge	5	5	4	4	5	5
<b>KEY FEATURES - FREEZER</b>						
Door opened indicator freezer	●	●	●	●	●	●
Temperature adjustable freezer	●	●	●	●	●	●
Freezing drawers	2	3	4	3	2	3
Shelf material freezer	Safety glass	Safety glass	Safety glass	Safety glass	Safety glass	Safety glass
Freezer cold packs	●	●	●	●	●	●
Included accessories	2 x cold accumulator, 2 x egg tray, 1 x ice cube tray	2 x cold accumulator, 2 x egg tray, 1 x ice cube tray	2 x cold accumulator, 2 x egg tray, 1 x ice cube tray	2 x cold accumulator, 2 x egg tray, 1 x ice cube tray	2 x cold accumulator, 2 x egg tray, 1 x ice cube tray	2 x cold accumulator, 2 x egg tray, 1 x ice cube tray
<b>TECHNICAL INFORMATION</b>						
Height of the product (mm)	1772	1772	1772	1772	1772	1772
Width of the product (mm)	558	558	558	538	558	558
Depth of the product	545	545	545	542	545	545
Depth with open door 90 degree (mm)	1140	1140	1140	1140	1140	1140
Height of the packed product (mm)	1840	1840	1840	1840	1840	1840
Width of the packed product (mm)	620	620	620	620	620	620
Depth of the packed product (mm)	640	640	640	640	640	640
Minimum height for installation (mm)	1775	1775	1775	1775	1775	1775
Maximum height for installation (mm)	1775	1775	1775	1775	1775	1775
Minimum width for installation (mm)	560	560	560	560	560	560
Maximum width for installation (mm)	560	560	560	560	560	560
Depth for installation (mm)	550	550	550	550	550	550
Height (mm)	1772	1772	1772	1772	1772	1772
Required niche size for installation (HxWxD)	1775x560x550	1775x560x550	1775x560x550	1775x560x550	1775x560x550	1775x560x550
Reversible door hinge	●	●	●	●	●	●
Width with opened door (90°)	60.00	60.00	60.00	60.00	60.00	60.00
Depth with door open (90°)	114.00	114.00	114.00	114.00	114.00	114.00
Net weight (kg)	68.0	68.0	69.0	69.0	67.0	69.0
Gross weight (kg)	74.0	74.0	75.0	74.0	73.0	75.0

## BUILT IN FRIDGE FREEZERS SPECIFICATIONS

KI5872F30G	KI5872S30G	K9524X7GB	KI5852F30G	K4254X7GB	KI5862S30G	KI5852S30G	K8524X8GB
<b>PERFORMANCE AND CONSUMPTION</b>							
A++	A++	A+	A++	A+	A++	A++	A+
227	227	275	239	283	218	239	275
272	272	276	259	257	265	159	276
209	209	218	157	165	191	157	217
63	63	58	102	92	74	102	59
26	26	22	24	24	32	24	13
3	3	6	4	6	7	4	6
26	26	22	24	24	32	24	13
SN-T	SN-T	SN-ST	SN-T	SN-ST	SN-ST	SN-T	SN-ST
38	38	40	38	40	36	38	40
<b>DESIGN FEATURES</b>							
Fixed / flat hinge	Sliding hinge	Fixed / flat hinge	Fixed / flat hinge	Fixed / flat hinge	Fixed / flat hinge	Sliding hinge	Sliding hinge
Right reversible	Right reversible	Right reversible	Right reversible	Right reversible	Right reversible	Right reversible	Right reversible
●	●	●	●	●	●	●	●
Low frost	Low frost	No	Low frost	No	Low frost	Low frost	No
●	●	●	●	●	●	●	
1	1	1	1	1	1	1	1
4	4	4	4	4	4	4	4
<b>FOOD PRESERVATION SYSTEM</b>							
		●		●			
<b>KEY FEATURES - FRIDGE</b>							
Digital	Digital	Digital	Digital	Digital	Digital	Digital	
4 8	4 8	4 8	4 8	4 8	4 8	4 8	4 8
5	5	5	4	4	5	4	5
4	4	4	3	3	4	3	4
Glass	Glass	Glass	Glass	Glass	Glass	Glass	Glass
digital LED	digital LED	digital LED	digital LED	Interior digital	digital 7 segment	digital LED	No temp. indication
4	4		3		3	3	0
●	●	●	●	●	●	●	●
Stationary	Stationary	Stationary	Stationary	Stationary	Stationary	Stationary	Stationary
●	●	●	●	●	●	●	●
2	2	2	2	2	2	2	2
5	5		4		5	4	
5	5	5	4	4	5	4	5
<b>KEY FEATURES - FREEZER</b>							
●	●	●	●	●	●	●	●
●	●	●	●	●	●	●	●
2	2	3	4	4	3	4	3
Safety glass	Safety glass		Safety glass		Safety glass	Safety glass	
●	●	●	●	●	●	●	●
2 x cold accumulator, 2 x egg tray, 1 x ice cube tray	2 x cold accumulator, 2 x egg tray, 1 x ice cube tray	2 x cold accumulator, 1 x butter dish, 2 x egg tray, 1 x ice cube tray	2 x cold accumulator, 2 x egg tray, 1 x ice cube tray	2 x cold accumulator, 1 x butter dish, 2 x egg tray, 1 x ice cube tray	2 x cold accumulator, 2 x egg tray, 1 x ice cube tray	2 x cold accumulator, 2 x egg tray, 1 x ice cube tray	1 x butter dish
<b>TECHNICAL INFORMATION</b>							
1772	1772	1772	1772	1772	1772	1772	1772
538	538	541	538	541	558	538	541
542	542	545	542	545	545	542	545
1140	1140	1140	1140	1140	1140	1140	1140
0	0	1860	1840	1860	1840	1840	1860
0	0	615	620	615	620	620	620
0	0	630	640	630	640	640	640
1775	1775	1775	1775	1775	1775	1775	1775
1775	1775	1775	1775	1775	1775	1775	1775
560	560	562	560	562	560	560	562
560	560	562	560	562	560	560	562
550	550	550	550	550	550	550	550
1772	1772	1772	1772	1772	1772	1772	1772
1775x560x550	1775x560x550	1775x562x550	1775x560x550	1775x562x550	1775x560x550	1775x560x550	1775x562x550
●	●	●	●	●	●	●	●
60.00	60.00	60.00	60.00	60.00	60.00	60.00	60.00
114.00	114.00	114.00	114.00	114.00	114.00	114.00	114.00
0.0	0.0	62.0	69.0	64.0	69.0	69.0	57.0
0.0	0.0	67.0	75.0	69.0	75.0	75.0	62.0



## BUILT IN SINGLE DOOR FRIDGE SPECIFICATIONS

MODEL NO.	K8315X0GB	K8115X0	KI2823F30G	KI1813F30G	KI2822S30G
<b>PERFORMANCE AND CONSUMPTION</b>					
Energy efficiency class	A++	A++	A++	A++	A++
Energy consumption annual (kWh/annum)	133	124	209	116	209
Total unit net capacity (litres)	302	227	286	319	286
Refrigerator net capacity (litres)	302	227	252	319	252
Freezer net capacity (litres)			34		34
Star Rating of ice box			4		4
Noise level (dB(A) re 1 pW)	39	39	36	37	39
Climate class	SN-T	SN-T	SN-ST	SN-T	SN-ST
<b>DESIGN FEATURES</b>					
Type of hinge	Fixed/flat with softclose	Fixed/flat with softclose	Fixed /flat	Fixed /flat	Follow-door
Door hinge	Right reversible	Right reversible	Right reversible	Right reversible	Right reversible
Light	●	●	●	●	●
Number of independent cooling systems	2	2	1	1	1
Warning signal door open	Acoustic	Acoustic	Acoustic	Acoustic	Without
Type of control	1 x LED chain	1 x LED chain	1 x 7 segment	1 x 7 segment	Electronic
Number of compressors	1	1	1	1	1
<b>FOOD PRESERVATION SYSTEM</b>					
FreshSafe 0°C (formerly known as VitaFresh)	●	●			
FreshSafe II (formerly known as HydroFresh)			●	●	
Anti Bacterial		●			
Cold technology	1 compressor/ 2 cold circuits	1 compressor/ 2 cold circuits	1 compressor/ 1 cold circuit	1 compressor/ 1 cold circuit	1 compressor/ 1 cold circuit
Temperature rise time (h)			22		22
Freezing capacity (kg/24h)	0	0	3		3
<b>KEY FEATURES - FRIDGE</b>					
Temperature adjustable	●	●	●	●	●
Type of control	Electronic	Electronic	Electronic	Electronic	Electronic
Number of shelves in fridge compartment	7	6	5	7	5
Number of Adjustable Shelves in fridge compartment	3	3	4	6	4
Fast cooling switch	●	●	●	●	●
Number of Door Bins - Refrigerator	3	3	2	3	3
Door bin adjustability - Refrigerator	●	●			☞
Type of shelves - Fridge			Full Extension	Full Extension	Stationary
Temperature display fridge	digital LED	digital LED	digital 7 segment	digital 7 segment	digital LED
No. of egg racks			2	2	2
No. of door shelves	4	4	5	6	5
Included accessories	1 x butter dish, 3 x egg tray	1 x butter dish, 3 x egg tray	2 x egg tray, 1 x ice cube tray	2 x egg tray	2 x egg tray, 1 x ice cube tray
Shelves for Bottles	●	●		●	-
<b>KEY FEATURES - FREEZER</b>					
No. of ice cube trays			1		1
Storage Period in Event of Power Failure (H)			22		22
Door opened indicator freezer	●	●	●	●	☞
Temperature adjustable freezer			●	●	●
Number of freezing flaps			1		1
Storage period in pow. failure			22		22
<b>TECHNICAL INFORMATION</b>					
Required niche size for installation (HXWXD)	1775 x 560 x 550	1400 x 560 x 550	1775 x 560 x 550	1775 x 560 x 550	1775 x 560 x 550
Height of the product (mm)	1772	1397	1772	1772	1772
Width of the product (mm)	556	556	558	558	541
Depth of the product	545	545	545	545	545
Maximum adjustability feet (mm)					
Height of the packed product (mm)	1980	1595	1840	1840	1840
Width of the packed product (mm)	630	630	620	620	620
DEPTH OF THE PACKED PRODUCT (MM)	660	660	640	640	640
Minimum height for installation (mm)	1775	1400	1775	1775	1775
Maximum height for installation (mm)	1775	1400	1775	1775	1775
Minimum width for installation (mm)	560	560	560	560	560
Maximum width for installation (mm)	560	560	560	560	560
Depth for installation (mm)	550	550	550	550	550
Length electrical supply cord (cm)	230	230	230	230	230
Connection Rating (W)	120	120	90	90	90
Current (A)	10	10	13	13	13
Voltage (V)	220-240	220-240	220-240	220-240	220-240
Frequency (Hz)	50	50	50	50	50
Approval certificates	VDE	VDE	VDE	VDE	VDE
Minimum ambient temperature	10	10	10	10	10
Maximum ambient temperature	43	43	38	43	38
EAN code	4242004189817	4242004124702	4242004165835	4242004164999	4242004200802

## BUILT IN SINGLE DOOR FRIDGE SPECIFICATIONS

KI1812S30G	KI8513D30G	KI8413D30G	KI2423D40G	KI1413D30G	KI1413F30G
<b>PERFORMANCE AND CONSUMPTION</b>					
Energy efficiency class	A++	A++	A++	A+++	A++
Energy consumption annual (kWh/annum)	116	124	120	114	105
Total unit net capacity (litres)	319	222	187	195	211
Refrigerator net capacity (litres)	319	222	187	180	211
Freezer net capacity (litres)	0			15	
Star Rating of ice box	0			4	
Noise level (dB(A) re 1 pW)	37	37	37	34	33
Climate class	SN-T	SN-T	SN-T	SN-ST	SN-T
<b>DESIGN FEATURES</b>					
Type of hinge	Follow-door	Fixed/flat with softclose	Fixed/flat with softclose	Flush-folding	Fixed/flat with softclose
Door hinge	Right reversible	Right reversible	Right reversible	Right reversible	Right reversible
Light	●	●	●	●	●
Number of independent cooling systems	1	2	2	1	1
Warning signal door open	Without	Acoustic	Acoustic	Acoustic	Acoustic
Type of control	Electronic	1 x 7 segment	1 x 7 segment	1 x 7 segment	1 x 7 segment
Number of compressors	1	1	1	1	1
<b>FOOD PRESERVATION SYSTEM</b>					
FreshSafe 0°C (formerly known as VitaFresh)		●			
FreshSafe II (formerly known as HydroFresh)			●	●	●
Anti Bacterial					
Cold technology	1 compressor/ 1 cold circuit	1 compressor/ 2 cold circuits	1 compressor/ 2 cold circuits	1 compressor/ 1 cold circuit	1 compressor/ 1 cold circuit
Temperature rise time (h)				13	
Freezing capacity (kg/24h)				2	
<b>KEY FEATURES - FRIDGE</b>					
Temperature adjustable	●	●	●	●	●
Type of control	Electronic	Electronic	Electronic	Electronic	Electronic
Number of shelves in fridge compartment	7	5	4	5	6
Number of Adjustable Shelves in fridge compartment	6	4	3	4	5
Fast cooling switch	●	●	●	●	●
Number of Door Bins - Refrigerator	4	2	1	2	2
Door bin adjustability - Refrigerator	☞	☞			
Type of shelves - Fridge	Stationary	☞			
Temperature display fridge	Stationary digital LED	digital 7 segment	digital7 segment	digital 7 segment	digital 7 segment
No. of egg racks	2	2	2	2	2
No. of door shelves	6	4	3	4	4
Included accessories	2 x egg tray	2 x egg tray	2 x egg tray	2 x egg tray, 1 x ice cube tray	2 x egg tray
Shelves for Bottles					
<b>KEY FEATURES - FREEZER</b>					
No. of ice cube trays				1	
Storage Period in Event of Power Failure (H)				13	
Door opened indicator freezer	☞	●	●	●	●
Temperature adjustable freezer	☞			●	●
Number of freezing flaps	0			1	
Storage period in pow. failure				13	
<b>TECHNICAL INFORMATION</b>					
Required niche size for installation (HXWXD)	1775 x 560 x 550	1400 x 560 x 550	1225 x 560 x 550	1225 x 560 x 550	1225 x 560 x 550
Height of the product (mm)	1772	1397	1221	1221	1221
Width of the product (mm)	541	558	558	558	558
Depth of the product	545	545	545	545	545
Maximum adjustability feet (mm)					
Height of the packed product (mm)	1840	1470	1290	1290	1290
Width of the packed product (mm)	620	620	620	620	620
DEPTH OF THE PACKED PRODUCT (MM)	640	640	640	640	640
Minimum height for installation (mm)	1775	1400	1225	1225	1225
Maximum height for installation (mm)	1775	1400	1225	1225	1225
Minimum width for installation (mm)	560	560	560	560	560
Maximum width for installation (mm)	560	560	560	560	560
Depth for installation (mm)	550	550	550	550	550
Length electrical supply cord (cm)	230	230	230	230	230
Connection Rating (W)	90	90	90	90	90
Current (A)	13	13	13	13	13
Voltage (V)	220-240	220-240	220-240	220-240	220-240
Frequency (Hz)	50	50	50	50	50
Approval certificates	VDE	VDE	VDE	VDE	VDE
Minimum ambient temperature	10	10	10	10	10
Maximum ambient temperature	43	43	43	38	43
EAN code	4242004200550	4242004172475	4242004172468	4242004165637	4242004196273



## BUILT IN SINGLE DOOR FRIDGE SPECIFICATIONS

MODEL NO.	KI2422S30G	KI1412S30G	KI2323D40G	KI1312F30G	KI1213F30G
<b>PERFORMANCE AND CONSUMPTION</b>					
Energy efficiency class	A++	A++	A+++	A++	A++
Energy consumption annual (kWh/annum)	172	105	105	100	97
Total unit net capacity (litres)	195	211	154	172	144
Refrigerator net capacity (litres)	180	211	139	172	144
Freezer net capacity (litres)	15		15		
Star Rating of ice box	4		4		
Noise level (dB(A) re 1 pW)	38	37	34	36	33
Climate class	SN-ST	SN-T	SN-ST	SN-T	SN-T
<b>DESIGN FEATURES</b>					
Type of hinge	Sliding	Sliding	Flush-folding	Fixed/flat	Fixed/flat
Door hinge	Right reversible	Right reversible	Right reversible	Right reversible	Right reversible
Light	●	●	●	●	●
Number of independent cooling systems	1	1	1	1	1
Warning signal door open			Acoustic		acoustic
Type of control	1 x LED chain	1 x LED chain	1 x 7 segment	1 x LED chain	1 x 7 segment
Number of compressors	1	1	1	1	1
<b>FOOD PRESERVATION SYSTEM</b>					
FreshSafe 0°C (formerly known as VitaFresh)					
FreshSafe II (formerly known as HydroFresh)			●		●
Anti Bacterial					
Cold technology	1 compressor/1 cold circuit	1 compressor/1 cold circuit	1 compressor/1 cold circuit	1 compressor/1 cold circuit	1 compressor/1 cold circuit
Temperature rise time (h)	13		13		
Freezing capacity (kg/24h)	2		2		
<b>KEY FEATURES - FRIDGE</b>					
Temperature adjustable	●	●	●	●	●
Type of control	Electronic	Electronic	Electronic	Electronic	Electronic
Number of shelves in fridge compartment	5	6	4	4	4
Number of Adjustable Shelves in fridge compartment	4	5	3	3	3
Fast cooling switch	●	●	●	●	●
Number of Door Bins - Refrigerator	3	3	3	3	1
Door bin adjustability - Refrigerator					
Type of shelves - Fridge	Fixed	Fixed		Fixed	
Temperature display fridge	digital LED	digital LED	digital 7 segment	digital LED	digital 7 segment
No. of egg racks	2	2	2	2	2
No. of door shelves	4	4	5	4	3
Included accessories	2 x egg tray, 1 x ice cube tray	2 x egg tray	2 x egg tray, 1 x ice cube tray	2 x egg tray	2 x egg tray
Shelves for Bottles					
<b>KEY FEATURES - FREEZER</b>					
No. of ice cube trays	1		1		
Storage Period in Event of Power Failure (H)	13		13		
Door opened indicator freezer			1		●
Temperature adjustable freezer	●	●	●	●	●
Number of freezing flaps	1		1		
Storage period in pow. failure	13		13		
<b>TECHNICAL INFORMATION</b>					
Required niche size for installation (HxWxD)	1225x560x550	1225x560x550	1025x560x550	1025x560x550	880x560x550
Height of the product (mm)	1221	1221	1021	1021	874
Width of the product (mm)	538	538	558	538	558
Depth of the product	545	545	545	542	545
Maximum adjustability feet (mm)			-		
Height of the packed product (mm)	1290	1290	1090	1090	950
Width of the packed product (mm)	620	620	620	620	620
DEPTH OF THE PACKED PRODUCT (MM)	640	640	640	640	640
Minimum height for installation (mm)	1225	1225	1025	1025	880
Maximum height for installation (mm)	1225	1225	1025	1025	880
Minimum width for installation (mm)	560	560	560	560	560
Maximum width for installation (mm)	560	560	560	560	560
Depth for installation (mm)	550	550	550	550	550
Length electrical supply cord (cm)	230	230	230	230	230
Connection Rating (W)	90	90	90	90	90
Current (A)	13	10	13	10	13
Voltage (V)	220-240	220-240	220-240	220-240	220-240
Frequency (Hz)	50	50	50	50	50
Approval certificates	VDE	VDE	VDE	VDE	VDE
Minimum ambient temperature	10	10	10	10	10
Maximum ambient temperature	38	43	38	43	43
EAN code	4242004184430	4242004196297	4242004170839	4242004196280	4242004165897

## BUILT IN SINGLE DOOR FRIDGE SPECIFICATIONS

KI2222F30G	KI1212F30G*	KI2222S30G	KI1212S30G	K1514X7GB	K4336X8GB	K4316X7GB
A++	A++	A++	A++	A+	A++	A+
148	97	148	97	122	140	118
124	144	124	144	150	123	137
109	144	109	144	150	108	137
15		15			15	
4		4			4	
38	36	38	36	34	38	38
SN-ST	SN-T	SN-ST	SN-T	SN-ST	SN-ST	SN-ST
<b>DESIGN FEATURES</b>						
Flush-folding	Fixed /flat	Follow-door	Sliding	Sliding	Fixed /flat	Fixed /flat
Right reversible	Right reversible	Right reversible	Right reversible	Right reversible	Right reversible	Right reversible
●	●	●	●	●	●	●
1	1	1	1	1	1	1
without		without				
1 x LED chain	1 x LED chain	1 x LED chain	1 x LED chain	non (mechanical)	non (mechanical)	non (mechanical)
1	1	1	1	1	1	1
				●		
1 compressor/1 cold circuit	1 compressor/1 cold circuit	1 compressor/1 cold circuit	1 compressor/1 cold circuit	1 compressor/1 cold circuit	1 compressor/1 cold circuit	1 compressor/1 cold circuit
13		13			10	
2		2			2	
<b>KEY FEATURES - FRIDGE</b>						
●	●	●	●	●	●	●
Electronic	Electronic	Electronic	Electronic	mechanical	mechanical	mechanical
3	4	3	4	4	2	3
2	3	2	3	3	1	2
●	●	●	●			
2	2	2	2	0	2	2
Stationary	Fixed	Stationary	Fixed	Fixed	Fixed	Stationary
digital LED	digital LED	digital LED	digital LED	No temperature indication	No temperature indication	No temperature indication
2	2	2	2		1	1
3	3	3	3		3	3
2 x egg tray, 1 x ice cube tray	2 x egg tray	2 x egg tray, 1 x ice cube tray	2 x egg tray	1 x butter dish	1 x butter dish, 1 x egg tray, 1 x ice cube tray	1 x butter dish, 1 x egg tray
-		-				
1		1			1	
13		13			10	
●	●	●	●		●	
1		1			1	
13		13			10	
<b>TECHNICAL INFORMATION</b>						
880x560x550	880x560x550	880x560x550	880x560x550	880x560x550	820x600x550	820x600x550
874	874	874	874	874	820	820
541	538	541	538	541	598	598
545	542	545	542	542	548	548
-		-			50	50
950	1090	950	950	950	890	890
620	620	620	620	610	670	670
640	640	640	640	630	610	610
880	880	880	880	880	820	820
880	880	880	880	880	820	820
560	560	560	560	560	600	600
560	560	560	560	560	600	600
550	550	550	550	550	550	550
230	230	230	230	230	230	230
90	90	90	90	90	90	90
10	10	10	13	13	13	13
220-240	220-240	220-240	220-240	220-240	220-240	220-240
50	50	50	50	50	50	50
VDE	VDE	VDE	VDE	VDE	VDE	VDE
10	10	10	10	10	10	10
38	43	38	43	38	38	38
4242004196099	4242004196518	4242004196105	4242004184423	4242004137757	4242004147398	4242004147404



## BUILT IN SINGLE DOOR FREEZER SPECIFICATIONS

MODEL NO.	G5624X7GB	G1524X7GB	G4344X7GB
<b>DESCRIPTION</b>			
Fridge freezer			
Single door freezer	•	•	•
Single door fridge			
Built-in integrated	•	•	
Built-under integrated			•
American side by side			
Freestanding			
Wine cooler			
<b>PERFORMANCE &amp; CONSUMPTION</b>			
Energy efficiency rating	A+	A+	A+
Total energy consumption per year kWh	192	192	184
Annual running costs based on 15.44p			
Total net capacity litres	94	94	98
Refrigerator net capacity (litres)			
Freezer net capacity	94	94	98
Noise (dB (A) re 1pW)	36	36	38
Climate class	SN-ST	SN-ST	SN-ST
<b>DESIGN FEATURES</b>			
SoftClose hinge			
Interior lighting			
Number of cooling circuits	1	1	1
Hinge system	Fixed	Sliding	Fixed
Reversible door	Yes	Yes	Yes
Ice water dispenser			
Warning signal/malfunction			•
Removable magnetic door seals	•	•	•
<b>FOOD PRESERVATION SYSTEM</b>			
FreshSafe 0°C (formerly known as VitaFresh)			
FreshSafe II (formerly known as HydroFresh)			
MultiAirflow cooling			
VarioBox			
VitaControl			
ChillerSafe on FlexRail® drawers			
Dynamic cooling			
AirFresh filter			
Type of control	Mechanical	Mechanical	Mechanical
<b>KEY FEATURES – FREEZER</b>			
Defrost system/method	Manual	Manual	Manual
SUPERFREEZE FUNCTION	•	•	•
Number of freezer drawers	4	4	3
Freezer star rating	4 star	4 Star	4 Star
Freezing capacity (kg) in 24 hours	11	11	12
Storage time in power failure hours	22	22	23
<b>TECHNICAL INFORMATION</b>			
Dimensions mm (HxWxD)	874x541x542	874x541x542	820x598x548
Packed dimensions cm (HxWxD)	95x61x63	95x61x63	89x67x61
Packed weight	40	48	38
Approval certificates	VDE	VDE	VDE

## BUILT IN SINGLE DOOR FREEZER SPECIFICATIONS

G4655X7GB	G17813E30G	G8120X0	G17413E30G	G17313E30G
<b>DESCRIPTION</b>				
Fridge freezer				
Single door freezer	•	•	•	•
Single door fridge				
Built-in integrated	•	•	•	•
Built-under integrated				
American side by side				
Freestanding				
Wine cooler				
<b>PERFORMANCE &amp; CONSUMPTION</b>				
Energy efficiency rating	A+	A++	A++	A++
Total energy consumption per year kWh	310	243	208	188
Annual running costs based on 15.44p				
Total net capacity litres	212	211	158	127
Refrigerator net capacity (litres)				
Freezer net capacity	212	211	158	127
Noise (dB (A) re 1pW)	40	38	40	39
Climate class	SN-T	SN-T	SN-T	SN-T
<b>DESIGN FEATURES</b>				
SoftClose hinge	•		•	•
Interior lighting	•		•	
Number of cooling circuits	1		1	
Hinge system	Fixed	Fixed	Fixed	Fixed
Reversible door	Yes	Yes	Yes	Yes
Ice water dispenser				
Warning signal/malfunction	•	•	•	•
Removable magnetic door seals	•	•	•	•
<b>FOOD PRESERVATION SYSTEM</b>				
FreshSafe 0°C (formerly known as VitaFresh)				
FreshSafe II (formerly known as HydroFresh)				
MultiAirflow cooling				
VarioBox				
VitaControl				
ChillerSafe on FlexRail® drawers				
Dynamic cooling				
AirFresh filter				
Type of control	Electronic	Electronic	Electronic	Electronic
<b>KEY FEATURES – FREEZER</b>				
Defrost system/method	NoFrost	NoFrost	NoFrost	NoFrost
SUPERFREEZE FUNCTION	•	•	•	•
Number of freezer drawers	5	5	4	4
Freezer star rating	4 Star	4 Star	4 Star	4 Star
Freezing capacity (kg) in 24 hours	24	20	23	20
Storage time in power failure hours	11	22	11	23
<b>TECHNICAL INFORMATION</b>				
Dimensions mm (HxWxD)	1772x556x545	1772x558x545	1397x556x545	1221x558x545
Packed dimensions cm (HxWxD)	197.5x63x66	184x62x64	159.5x63x66	129x62x64
Packed weight	79	73	66	52
Approval certificates	VDE	VDE	VDE	VDE



# DISHWASHERS



All Cookaholics need a NEFF dishwasher to clean up afterwards

A NEFF dishwasher is designed with creative cooks in mind. That means that even the most bubbled-over oven dishes, baked-on ramekins and caramelised grill pans will still come out beautifully clean. With settings and features to handle your everyday cooking, our dishwashers are equipped for all of your cookware, crockery and delicate glassware.

## FLEXIBILITY WHEN YOU NEED IT MOST

From a full-scale dinner party to a meal for two, our unique VarioFlexPro® baskets are equipped to handle even the bulkiest items.

## FINISHES

Our semi-integrated models have a visible control panel. The **S42M69N0GB** comes with a stainless steel control panel and the **S41E50** models come in black, white and stainless steel to provide a semi-integrated solution to coordinate with coloured appliances.



Black finish



White finish



Stainless steel finish

EVERY DAY IS DIFFERENT, THAT'S WHY WE'VE DEVELOPED A RANGE OF DISHWASHERS THAT CAN HANDLE EVERY EVENTUALITY.

## FULL SIZE DISHWASHERS

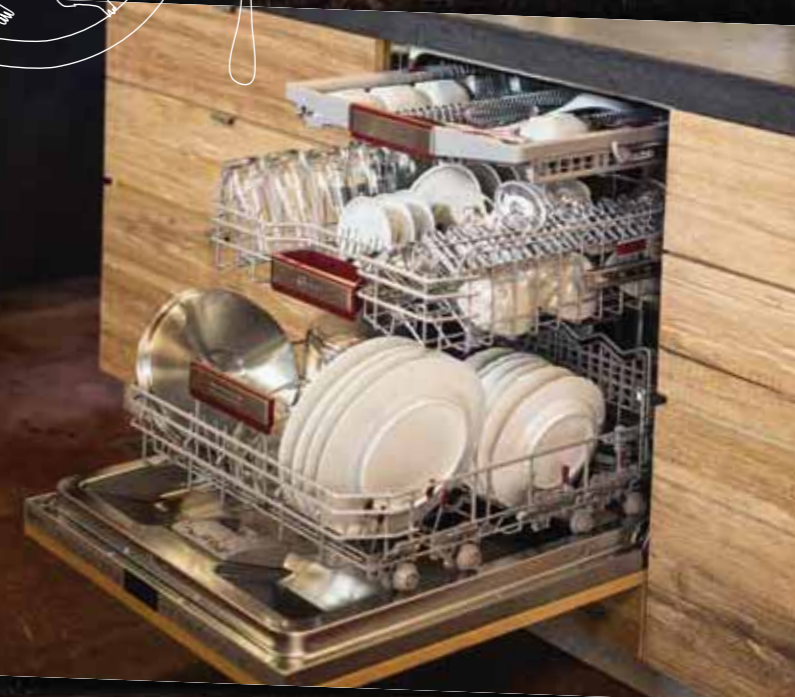
Designed to be as flexible and accommodating as possible, our full-sized dishwashers have adjustable baskets and racks to hold large or awkward items, as well as a choice of wash cycles from intensive to delicate.

## SLIMLINE DISHWASHERS

Where space is an issue, our slimline models: **S58T69X1GB** and **S58T40X0GB** are ideal. Just 45cm wide, these fit into the smallest of spaces, but still offer all the features of a full size model. They are surprisingly roomy and able to cope with nine to ten place settings at a time.

## VARIO HINGE MODELS

In addition to the two height sizes (815mm and 865mm), dishwashers with VarioHinge (**S727P70Y0G**), (**S72M66X1GB**) and (**S71M66X1GB**), are the perfect solution for installations with limited clearance between the bottom of the door and the plinth.







No more soaking overnight and scrubbing in the morning.

## CHEF 70°

Extra cleaning power for creative cooks

With a hotter setting and a powerful spray, the Chef70° programme is perfect for cleaning even the dirtiest pots, pans and cooking utensils. Items placed in the lower basket are subject to higher spray pressures, eliminating the need for soaking and effectively removing even the most stubborn stains.

OUR FLEXIBLE DISHWASHING SOLUTIONS MAKE LIGHT WORK OF EVEN THE MOST VARIED LOADS.

## VARIO FLEX PRO® BASKETS

Lots of room, lots of convenience

Fitting casserole dishes, large pans, full dinner sets and tall-stem wine glasses into a dishwasher can be a challenge – especially when you're cleaning your most robust cookware alongside delicate items. VarioFlexPro® baskets are designed to accommodate those bulkier items and provide an even, thorough clean. With more room for large plates in the bottom rack and more safety for glasses in the top rack, a NEFF dishwasher is the perfect post-dinner party assistant. With the option to fold down racks, VarioFlexPro can even accommodate tagines and XL woks with ease.



Flexible baskets that can easily accommodate tall stem wine glasses and large saucepans.

## RACKMATIC

Always a little extra space

Rackmatic allows the top basket to be raised or lowered into three different positions. With the option to adjust the basket even when fully loaded, those last minute wine glasses can still go in at the end of the night.

All adjustable elements are clearly marked in red on NEFF dishwashers.

## VARIO DRAWER PRO®

A place for everything

VarioDrawerPro provides an additional loading level for cutlery, cooking implements and smaller items. Perfect for delicate espresso cups and saucers, VarioDrawerPro is available on selected NEFF dishwashers.



The VarioDrawerPro on the top level holds cutlery and utensils.



## NEFF SPARKLE®

Care for your most delicate glassware

We've done our research and found that one of the main things that puts people off buying a new dishwasher is potential damage to glassware. Even people who can't live without their dishwashers tend to wash their best glasses by hand to keep them in pristine condition.

Extreme temperatures, hard water and over-softened water can all have a detrimental effect on the smooth, delicate surface of glass. Glasses can easily get shunted around inside the dishwasher and, if they rub up against each other, this creates fine scratches and markings. What's more, drying glasses using hot air leaves streaks and drips and can make them too hot to touch when unloading.

### FINISH QUANTUM SHINE & PROTECT

NEFF has tested and recommends using Finish dishwashing products.

For the ultimate clean and shine, plus added protection to help prevent the build up of limescale in your machine, we recommend new Finish Quantum Max.



NEFF SPARKLE® IS AN AUTOMATIC GLASS CARE PROGRAM DESIGNED SPECIALLY FOR MIXED LOADS.

## DOOR OPEN ASSIST

The ideal choice for seamless kitchens

DoorOpen Assist is the perfect solution for anybody looking to achieve a sleek, handleless design in their kitchen. Simply press lightly on the front of the unit to open the dishwasher door. Ideal for a range of integrated designs, DoorOpen Assist is also a convenient addition to busy kitchens.





# CHOOSING A NEFF DISHWASHER



## FUNCTIONS



### AQUA STOP

Protects inlet and outlet hoses from leakage. A safety valve prevents any more water from entering the dishwasher and overflowing – even when the machine is off.



### CHILD SAFETY LOCK

Prevents children from being able to open the door easily and can be fitted to the machine at the time of installation.



### DOSAGE ASSIST

Releases the dishwasher tablet into a tray at the front of the upper basket. A targeted jet of water from the spray arm ensures the tablet is dissolved and used at precisely the right time during the wash cycle.



### CONTROL PANEL LOCK

A tamper-proof control to prevent children from starting or changing the programmes. Simply press and hold the 'key' symbol for four seconds to activate/deactivate.



### DUOPOWER SPRAY ARM

Powerfully distributes water for a truly thorough clean. Available in slimline only.



### HEAT EXCHANGER

Ensures that the drying phase of programmes is energy efficient and glassware is fully protected by preventing extreme temperatures.



### LARGE ITEM SPRAY

Designed for washing tall items such as roasting pans, oven shelves and tall vases, the top basket is removed, and an additional spray head is fitted to the back of the appliance. This showers the items to achieve excellent cleaning results.



### INFO LIGHT

Projects a red light on to the floor at the front of the machine while the programme is running as an added safety feature.



### RESIDUAL DRYING SYSTEM

Uses a very hot final rinse programme to evaporate the water and subsequently leave items beautifully clean and dry. If putting plasticware in the dishwasher we would recommend using the ExtraDry function to leave them perfectly dry.



### PIEZO CONTROL

Makes it possible to select programmes with the lightest of touches. The panels on the **S51T69X3GB** and **S72T69X3GB** feature Piezo control.



ALL OF OUR DISHWASHERS COME WITH A CHOICE OF PROGRAMMES, FROM INTENSIVE WASH CYCLES CAPABLE OF TACKLING TOUGH BURNT ON FOOD, TO DELICATE WASHES FOR GLASSWARE AND CHINA.

## PROGRAMMES



### INTENSIVE WASH ZONE

Activates higher wash temperatures and increases spray arm pressure in the bottom basket, while maintaining a more gentle wash in the top basket. It's almost like creating dual zones in the dishwasher.



### HYGIENE PLUS OPTION

Provides a hotter final rinse, with 70°C water for 10 minutes, to effectively cleanse items such as chopping boards and cooking utensils.



### AUTOMATIC PROGRAMMES

Around half of all dishwasher users choose the wrong wash temperature. We have therefore developed three automatic programmes (model dependent) to choose from: normal (Auto 45°C-65°C), delicate (Auto 35°C-45°C) and intensive (Auto 65°C-75°C).



### VARIO SPEED® AND VARIO SPEED® PLUS

A quicker wash option that still provides a hygienically clean and dry load. VarioSpeed® reduces programme times by up to 50% and VarioSpeed® Plus by up to 66%.



### HALF LOAD

Uses up to 20% less water and up to 10% less energy than a full load. This programme will wash up to six place settings and is flexible enough to allow for loading dishes anywhere in the dishwasher.

### 10 YEAR ANTI-RUST WARRANTY

Due to advanced materials and manufacturing technologies, in addition to our standard appliance warranty we are able to provide a free of charge warranty against rusting-through of the dishwasher's inner cavity.

### DETERGENT AWARE

If combined 'three-in-one' or 'four-in-one' detergents are used, the washing and drying programmes automatically adjust to produce added shine, even in hard water areas.

## FLEXIBLE INSTALLATION OPTIONS FOR ALL KITCHEN DESIGNS

### VARIO HINGE

VarioHinge installation has been designed for kitchens which offer limited clearance between the bottom of the door and the plinth. This allows for greater flexibility when designing your kitchen layout.

### INTEGRATION

Most of the dishwashers in our current range are fully integrated versions, accepting a full furniture door to conceal everything, including the control panel. They're easy to fit and will coordinate with the rest of your kitchen.

Some models, like the **S42M69N0GB** and the **S41E50N1GB**, are semi-integrated and feature a visible control panel on the front of the dishwasher, with a furniture door fitted below the panel. Elegant stainless steel side trims can be used on all 60cm models to create a more finished appearance (**Z7860X0** for 815cm high and **Z7861X0** for 865cm high).

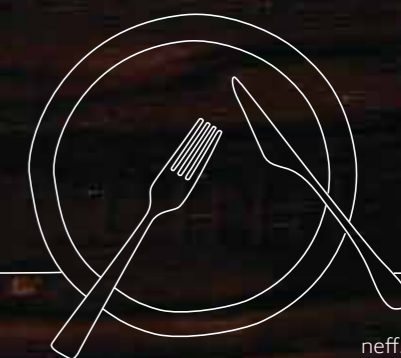
### CHOICE OF HEIGHTS

Our fully integrated dishwashers come in two height sizes; 815mm and 865mm. The 865mm dishwashers allow an extra

50mm of interior space to accommodate larger items.

### EXTRA HEIGHT MODELS

Our **S42M69N0GB**, **S72P70YOG** and **S72M66X1GB** models are taller and are height adjustable from 865mm-925mm. This is particularly useful in kitchens with higher worktops.



## TIME LIGHT

Never interrupt a cycle again

TimeLight projects the remaining time left on the dishwashing cycle on to the floor in front of your machine. Stylish, contemporary and practical, there's no risk of disrupting your wash.



# ENERGY EFFICIENCY



When it comes to cleanliness and hygiene, many people still operate under the mistaken notion that the more water, heat and detergent you use, the better the results. All too often our habits in the home are to the detriment of the environment.

## WATER

Our dishwashers can use as little as 6.5 litres of water to wash a full load, without compromising on energy consumption or wash quality. Dishwashers featuring auto programmes contain the AquaSensor, which allows water from the first rinse cycle to be re-used if it's clean enough. This can save up to four litres. Alternating spray arms also reduce water consumption by up to 25%.

LOOK FOR THE FOLLOWING LOGO TO SEE OUR MOST EFFICIENT DISHWASHERS.



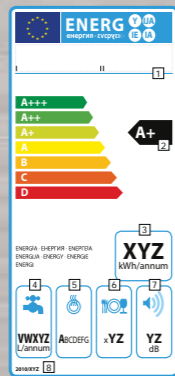
## NOISE

We aim to reduce the noise levels of our dishwashers wherever possible. We are proud to have some of the quietest models on the market that emit as little as 42 decibels – around the same noise level as the quiet hum of a modern refrigerator.

## ENERGY

Some NEFF models have a heat exchanger system which uses the heat generated in the wash cycle to preheat the water for subsequent rinse cycles. No additional energy is required for the drying cycle.

WE GO TO GREAT LENGTHS TO MAKE OUR DISHWASHERS EVEN MORE EFFICIENT.



## THE DISHWASHER ENERGY EFFICIENCY LABEL

- 1 Supplier's name or trademark and model identifier.
- 2 Energy efficiency class.
- 3 Annual energy consumption in kWh (based on 280 standard cleaning cycles per year)\*.
- 4 Water consumption in litres per year (based on 280 standard cleaning cycles per year)\*.
- 5 Drying efficiency class.
- 6 Capacity in terms of standard place settings.
- 7 Noise emissions in decibels.
- 8 Numbering of the regulation.

\*Using the Eco 50°C programme

# ZEOLITH®



A form of naturally occurring mineral, Zeolith® has the ability to absorb moisture and turn it in to heat. The heat produced naturally by Zeolith® is used during the drying cycle, ensuring that no additional energy is needed to dry your cookware. With the ability to absorb moisture, your glasses will come out steam free and will be cool enough to handle.

The Zeolith® mineral is stored in the depths of the dishwasher and regenerates itself to keep working for the entire lifetime of the appliance.



THE NEFF OVEN COLLECTIONS

HOB'S

VENTILATION

REFRIGERATION

DISHWASHING

LAUNDRY



# STYLISH AND PRACTICAL

With TimeLight featuring on selected models, the remaining time left on your dishwashing cycle is projected onto your floor.

## S517P70Y0G Integrated Dishwasher

### DESIGN / PERFORMANCE



### SPECIAL FEATURES/FUNCTIONS

- 7 programmes: Chef 70 °C, Auto 35-45 °C, Auto 45-65 °C, Auto 65-75 °C, Economy 50 °C, Quick Wash 45 °C, Pre Rinse
- 4 Special options: Shine and Dry, Intensive wash zone, VarioSpeed Plus, Hygiene Plus

### INNOVATIONS

- Real time clock
- White interior EmotionLight
- DoorOpen Assist – Simple to use, designed for handleless kitchens

- NeffSparkle® – glass care system
- Zeolith® – Energy efficient and hygienic drying
- Efficient SilentDrive BLDC motor
- DosageAssist detergent dispenser
- AquaSensor®, Load sensor
- Neff AquaStop with guarantee

### ADDITIONAL FEATURES

- VarioFlexPro® basket system
- VarioDrawer Pro
- 3 stage Rackmatic height-adjustable top basket
- Large item spray head

# FULLY INTEGRATED DISHWASHERS

## Tough on pots and pans, gentle on glassware and crockery

Our fully integrated dishwashers offer innovative programmes to take care of all of your cookware. With settings for the most stubborn stains and intelligent care programmes for your most delicate glassware, we've created a cleaning solution for all of your everyday cooking and dining utensils. With an A+++ energy efficiency rating and Zeolith® mineral assisted drying, dishes are left beautifully clean without using excessive energy.



## S727P70Y0G Integrated Dishwasher

### DESIGN / PERFORMANCE



### SPECIAL FEATURES/FUNCTIONS

- 7 programmes: Chef 70 °C, Auto 35-45 °C, Auto 45-65 °C, Auto 65-75 °C, Economy 50 °C, Quick Wash 45 °C, Pre Rinse
- 4 Special options: Shine and Dry, Intensive wash zone, VarioSpeed Plus, Hygiene Plus
- Heat exchanger – Hygienic and efficient drying
- VarioFlexPro® basket system

### INNOVATIONS

- Real time clock
- White interior EmotionLight

- DoorOpen Assist – Simple to use, designed for handleless kitchens
- NeffSparkle® – glass care system
- Zeolith® – Energy efficient and hygienic drying
- Efficient SilentDrive BLDC motor
- AquaSensor®, Load sensor
- Neff AquaStop with guarantee

### ADDITIONAL FEATURES

- VarioDrawer Pro
- 3 stage Rackmatic height-adjustable top basket
- Large item spray head



## S51M66X0GB Integrated Dishwasher

### DESIGN / PERFORMANCE



### SPECIAL FEATURES/FUNCTIONS

- 6 programmes: Chef 70 °C, Auto 45-65 °C, Economy 50 °C, Night Program 50 °C, Glass 40 °C, Quick Wash 45 °C
- 4 Special options: Intensive wash zone, VarioSpeed Plus, Hygiene Plus, Extra dry
- Heat exchanger – Hygienic and efficient drying
- VarioFlex Plus basket system
- VarioDrawer Plus

### INNOVATIONS

- White interior EmotionLight
- NeffSparkle® – glass care system
- Efficient SilentDrive BLDC motor

- DosageAssist detergent dispenser
- DetergentAware
- AquaSensor®, Load sensor
- Neff AquaStop with guarantee

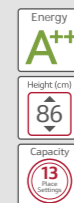
### ADDITIONAL FEATURES

- 3 stage Rackmatic height-adjustable top basket
- Large item spray head



## S72M66X1GB Fully Integrated Dishwasher

### DESIGN / PERFORMANCE



### SPECIAL FEATURES/FUNCTIONS

- 6 programmes: Chef 70 °C, Auto 45-65 °C, Economy 50 °C, Glass 40 °C, Quick Wash 45 °C, Pre Rinse
- 2 special options: VarioSpeed, Half load

### INNOVATIONS

- NeffSparkle® – glass care system
- Efficient SilentDrive BLDC motor
- DetergentAware
- AquaSensor®, Load sensor
- Neff AquaStop with guarantee
- Heat exchanger – Hygienic and efficient drying
- White interior EmotionLight

### ADDITIONAL FEATURES

- VarioHinge
- Red LED indicators
- Height adjustable top basket
- Large item spray head





## S71M66X1GB Integrated Dishwasher

### DESIGN / PERFORMANCE



#### SPECIAL FEATURES/FUNCTIONS

- 6 programmes: Chef70 °C, Auto 45-65 °C, Economy 50 °C, Glass 40 °C, Quick Wash 45 °C, Pre Rinse
- 3 special options: Intensive wash zone, VarioSpeed Plus, Extra dry
- VarioFlex Plus basket system
- Heat exchanger – Hygienic and efficient drying

#### INNOVATIONS

- White interior EmotionLight
- NeffSparkle® – glass care system
- Efficient SilentDrive BLDC motor

- DosageAssist detergent dispenser
- AquaSensor®, Load sensor
- Neff AquaStop with guarantee

#### ADDITIONAL FEATURES

- VarioHinge
- 3 stage Rackmatic height-adjustable top basket
- Large item spray head



## S51L53X0GB Integrated Dishwasher

### DESIGN / PERFORMANCE



#### SPECIAL FEATURES/FUNCTIONS

- 5 programmes: Chef70 °C, Auto 45-65 °C, Economy 50 °C, Quick Wash 45 °C, Pre Rinse
- 1 special option: VarioSpeed®
- VarioFlex basket system

#### INNOVATIONS

- NeffSparkle® – glass care system
- Residual drying
- Efficient SilentDrive BLDC motor
- DosageAssist detergent dispenser
- DetergentAware
- AquaSensor®, Load sensor
- Neff AquaStop with guarantee

#### ADDITIONAL FEATURES

- 3 stage Rackmatic height-adjustable top basket
- Large item spray head



## S51M53X2GB Integrated Dishwasher

### DESIGN / PERFORMANCE



#### SPECIAL FEATURES/FUNCTIONS

- 5 programmes: Intensive 70 °C, Auto 45-65 °C, Economy 50 °C, Quick Wash 45 °C, Pre Rinse
- 2 special options: VarioSpeed®, Half load
- VarioFlex basket system

#### INNOVATIONS

- NeffSparkle® – glass care system
- Residual drying
- Efficient SilentDrive BLDC motor

- DosageAssist detergent dispenser
- DetergentAware
- AquaSensor®, Load sensor
- Neff AquaStop with guarantee

#### ADDITIONAL FEATURES

- 2 stage Rackmatic height-adjustable top basket
- Large item spray head



## S51L43X0GB Integrated Dishwasher

### DESIGN / PERFORMANCE



#### SPECIAL FEATURES/FUNCTIONS

- 4 programmes: Chef70 °C, Auto 45-65 °C, Economy 50 °C, Quick Wash 45 °C
- 2 special options: VarioSpeed, Extra dry
- VarioFlex basket system

#### INNOVATIONS

- NeffSparkle® – glass care system
- Residual drying
- Efficient SilentDrive BLDC motor
- DosageAssist detergent dispenser
- DetergentAware
- AquaSensor®, Load sensor

#### ADDITIONAL FEATURES

- Neff AquaStop with guarantee
- 3 stage Rackmatic height-adjustable top basket
- Large item spray head



## S51L58X0GB Integrated Dishwasher

### DESIGN / PERFORMANCE



#### SPECIAL FEATURES/FUNCTIONS

- 5 programmes: Chef70 °C, Auto 45-65 °C, Economy 50 °C, Quick Wash 45 °C, Pre Rinse
- 1 special option: VarioSpeed® Plus
- VarioFlex basket system

#### INNOVATIONS

- NeffSparkle® – glass care system
- Heat exchanger drying
- Efficient SilentDrive BLDC motor
- DosageAssist detergent dispenser
- DetergentAware
- AquaSensor®, Load sensor

#### ADDITIONAL FEATURES

- Neff AquaStop with guarantee
- VarioDrawer on third level
- 3 stage Rackmatic height-adjustable top basket
- Large item spray head



## S51E50X3GB Fully Integrated Dishwasher

### DESIGN / PERFORMANCE



#### SPECIAL FEATURES/FUNCTIONS

- 4 programmes: Chef70 °C, Auto 45-65 °C, Economy 50 °C, Quick Wash 45 °C
- 2 special options: VarioSpeed, Extra dry
- Vario basket system

#### INNOVATIONS

- NeffSparkle® – glass care system
- Residual drying
- Efficient SilentDrive BLDC motor
- DosageAssist detergent dispenser
- DetergentAware
- Load sensor

#### ADDITIONAL FEATURES

- Neff AquaStop with guarantee
- Red InfoLight®
- Red LED indicators
- Large item spray head, including steam protection plate





**S51E40X2GB**  
Fully Integrated Dishwasher

**DESIGN / PERFORMANCE**



**SPECIAL FEATURES/FUNCTIONS**

- 4 programmes: Chef70 °C, Auto 45-65 °C, Economy 50 °C, Quick Wash 45 °C
- 2 special options: VarioSpeed, Extra dry

**INNOVATIONS**

- NeffSparkle® – glass care system
- Residual drying
- Efficient SilentDrive BLDC motor
- DosageAssist detergent dispenser
- DetergentAware
- Load sensor
- Neff AquaStop with guarantee

**ADDITIONAL FEATURES**

- Vario basket system
- Red InfoLight®
- Red LED indicators
- Large item spray head, including steam protection plate



**S42M69NOGB**  
Semi Integrated Dishwasher

**DESIGN / PERFORMANCE**



**SPECIAL FEATURES/FUNCTIONS**

- 6 programmes: Chef70 °C, Auto 45-65 °C, Economy 50 °C, Quick Wash 45 °C, Pre Rinse, Glass 40 °C
- 4 Special options: VarioSpeed® Plus, Extra dry, Intensive wash zone, Hygiene Plus

**INNOVATIONS**

- NeffSparkle® – glass care system
- Heat exchanger – Hygienic and efficient drying
- Efficient SilentDrive BLDC motor
- DosageAssist detergent dispenser
- DetergentAware

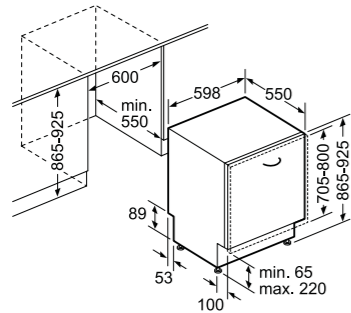
- AquaSensor®, Load sensor
- Neff AquaStop with guarantee

**ADDITIONAL FEATURES**

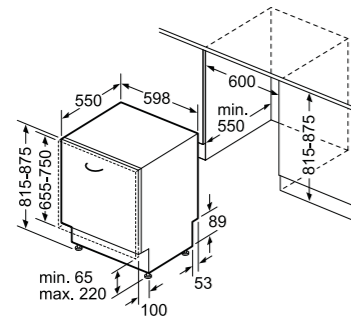
- VarioFlex Plus basket system
- 3 stage Rackmatic height-adjustable top basket
- Large item spray head



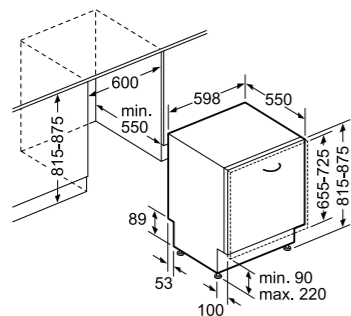
**S72P70Y0G, S72M66X1GB**



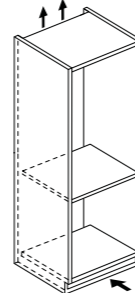
**S71M66X1GB**



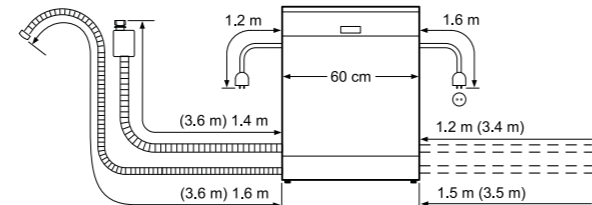
**S517P70Y0G, S51M66X0GB, S51M53X2GB, S51L58X0GB, S51L53X0GB, S51L43X0GB, S51E50X3GB, S51E40X2GB**



Air circulation min. 200 cm<sup>2</sup>



Ventilation space in the base min. 200 cm<sup>2</sup>



Measurements in mm.

The line drawings featured on this page are provided as a guide to general dimensions only and are subject to amendment without prior notice. For full dimensional and installation details please refer to the documentation supplied with the appliance.

OPERATION IS SIMPLE VIA AN EASY-TO-ACCESS FRONT CONTROL PANEL

Energy efficient and packed with ideas, our dishwashers have programmes to suit every load. From the most well used casserole dishes to your most delicate glassware, there's a solution for all of those everyday favourites.



**SEMI INTEGRATED DISHWASHERS**



**Flexible solutions for your bulkiest cookware**

Providing easy access to a front control panel and seamlessly integrating with your furniture, our semi-integrated dishwashers are a popular choice in kitchen design. Highly energy efficient with an A++ rating and Zeolith® mineral assisted drying, our semi integrated dishwashers are designed to offer the ultimate adaptability. With the flexible VarioFlex Plus rack system, there's more room for large plates in the bottom rack, more safety for glasses in the top rack, and more freedom with the adjustable RackMatic® system.





## S41M63N1GB

Semi Integrated Dishwasher

### DESIGN / PERFORMANCE



#### SPECIAL FEATURES/FUNCTIONS

- 6 programmes: Chef 70 °C, Auto 45-65 °C, Economy 50 °C, Quick Wash 45 °C, Pre-Rinse, GlassCare 40 °C, VarioSpeed® Plus, Extra dry, Intensive wash zone
- 3 Special options: VarioSpeed® Plus, Extra dry, Intensive wash zone

#### INNOVATIONS

- NeffSparkle® – glass care system
- Heat exchanger – Hygienic and efficient drying
- Efficient SilentDrive BLDC motor

#### ADDITIONAL FEATURES

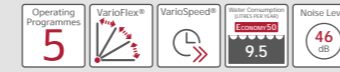
- VarioFlex® baskets
- Large item spray head



## S41E50S1GB

Semi Integrated Dishwasher

### DESIGN / PERFORMANCE



#### SPECIAL FEATURES/FUNCTIONS

- 5 programmes: Chef 70 °C, Auto 45-65 °C, Economy 50 °C, Quick Wash 45 °C, Pre Rinse
- 2 special options: VarioSpeed®, Half load

#### INNOVATIONS

- NeffSparkle® – glass care system
- Residual drying
- Efficient SilentDrive BLDC motor
- DosageAssist detergent dispenser

- DetergentAware
- AquaSensor®, Load sensor
- Neff AquaStop with guarantee

#### ADDITIONAL FEATURES

- Vario basket system
- Height adjustable top basket
- Large item spray head



## S41E50W1GB

Semi Integrated Dishwasher

### DESIGN / PERFORMANCE



#### SPECIAL FEATURES/FUNCTIONS

- 5 programmes: Chef 70 °C, Auto 45-65 °C, Economy 50 °C, Quick Wash 45 °C, Pre Rinse
- 2 special options: VarioSpeed®, Half load

#### INNOVATIONS

- NeffSparkle® – glass care system
- Residual drying
- Efficient SilentDrive BLDC motor
- DosageAssist detergent dispenser
- DetergentAware
- AquaSensor®, Load sensor
- Neff AquaStop with guarantee

#### ADDITIONAL FEATURES

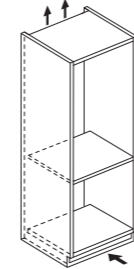
- Vario basket system
- Height adjustable top basket
- Large item spray head



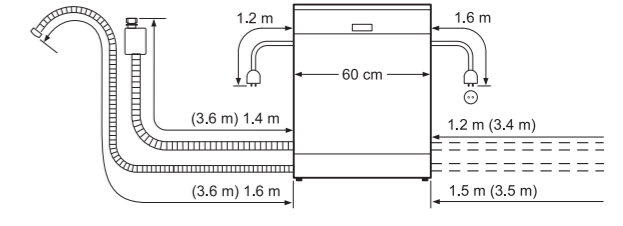
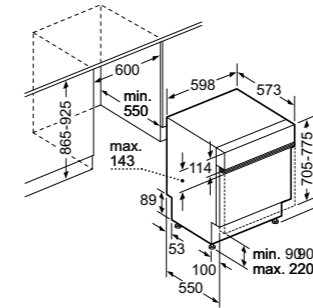
HOB:-  
Page 98

### S42M69NOGB

Air circulation min. 200 cm<sup>2</sup>



Ventilation space in the base min. 200 cm<sup>2</sup>



( ) values with extension kit

measurements in mm

## S41E50N1GB

Semi Integrated Dishwasher

### DESIGN / PERFORMANCE



#### SPECIAL FEATURES/FUNCTIONS

- 5 programmes: Chef 70 °C, Auto 45-65 °C, Economy 50 °C, Quick Wash 45 °C, Pre Rinse
- 2 special options: VarioSpeed, Half load

#### INNOVATIONS

- NeffSparkle® – glass care system
- Residual drying
- Efficient SilentDrive BLDC motor
- DosageAssist detergent dispenser
- DetergentAware
- AquaSensor®, Load sensor
- Neff AquaStop with guarantee

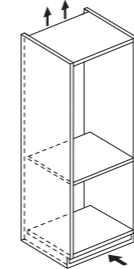
#### ADDITIONAL FEATURES

- Vario basket system
- Height adjustable top basket
- Large item spray head

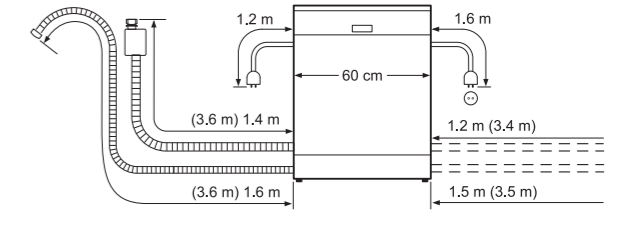
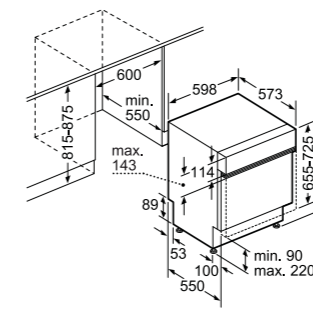


### S41M63N1GB, S41E50W1GB, S41E50N1GB, S41E50S1GB

Air circulation min. 200 cm<sup>2</sup>



Ventilation space in the base min. 200 cm<sup>2</sup>



( ) values with extension kit

measurements in mm

Measurements in mm.  
The line drawings featured on this page are provided as a guide to general dimensions only and are subject to amendment without prior notice.  
For full dimensional and installation details please refer to the documentation supplied with the appliance.



# BIG RESULTS FROM LITTLE PACKAGES

Because even the smallest space deserves the best solutions, our SlimLine dishwashers have the same clever features you'll find in our full size dishwashers.

## S58T69X1GB SlimLine Dishwasher

### DESIGN / PERFORMANCE



### SPECIAL FEATURES/FUNCTIONS

- 6 programmes: Auto 35-45 °C, Auto 45-65 °C, Auto 65-75 °C, Economy 50 °C, Quick Wash 45 °C, Pre Rinse
- 4 Special options: Intensive wash zone, VarioSpeed® Plus, Half load, Hygiene Plus

### INNOVATIONS

- NeffSparkle® – glass care system
- Heat exchanger – Hygienic and efficient drying
- Efficient SilentDrive BLDC motor
- DuoPower Spray Arm
- DosageAssist detergent dispenser
- DetergentAware

- AquaSensor®, Load sensor
- Neff AquaStop with guarantee

### ADDITIONAL FEATURES

- VarioFlex Plus basket system
- VarioDrawer on third level
- 3 stage Rackmatic height-adjustable top basket

## SLIM LINE DISHWASHER

Now every kitchen can benefit from a dishwasher

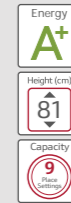
Our SlimLine dishwasher is ideal for cooks who need the convenience of a dishwasher without impacting on valuable kitchen space. Featuring a range of innovative NEFF features such as Chef70°, VarioSpeed® and DosageAssist, a smaller dishwasher doesn't mean you have to sacrifice performance. As with our full sized integrated dishwashers, our SlimLine dishwashers all feature Efficient SilentDrive for effective and quiet cleaning.



For detailed specification on this model go to page 245.

## S58T40X0GB SlimLine Dishwasher

### DESIGN / PERFORMANCE



### SPECIAL FEATURES/FUNCTIONS

- 4 programmes: Auto 45-65 °C, Economy 50 °C, Quick Wash 45 °C, Pre Rinse
- 1 special option: VarioSpeed®

### INNOVATIONS

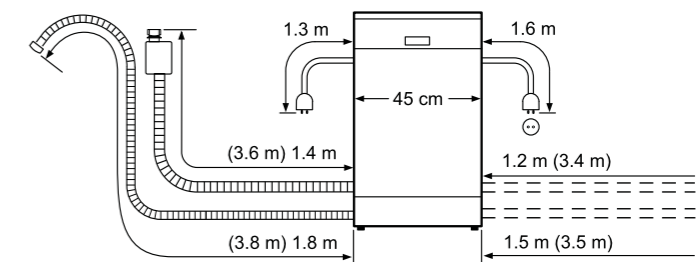
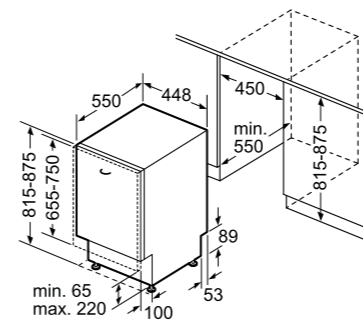
- NeffSparkle® – glass care system
- Heat exchanger – Hygienic and efficient drying
- Efficient SilentDrive BLDC motor
- DuoPower Spray Arm

- DosageAssist detergent dispenser
- AquaSensor®, Load sensor
- Neff AquaStop with guarantee

### ADDITIONAL FEATURES

- Vario basket system

### S58T69X1GB, S58T40X0GB

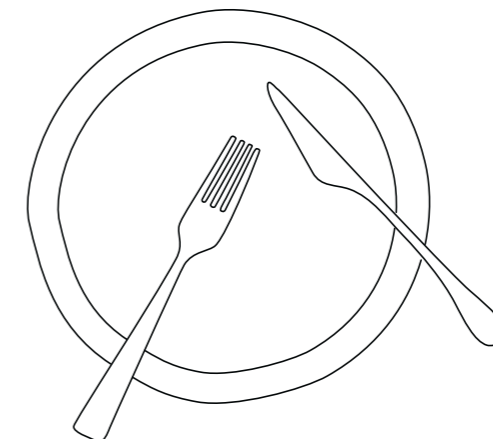


Measurements in mm.

The line drawings featured on this page are provided as a guide to general dimensions only and are subject to amendment without prior notice.

For full dimensional and installation details please refer to the documentation supplied with the appliance.

measurements in mm





## FULLY INTEGRATED DISHWASHER SPECIFICATIONS

MODEL NO.	S517P70Y0G	S727P70Y0G	S51M66X0GB	S72M66X1GB
<b>INSTALLATION</b>	Fully integrated 60cm	Fully integrated 60cm	Fully integrated 60cm	Fully integrated 60cm
Top edge panel Colour	Grey	Grey	Stainless steel	Stainless steel
<b>PERFORMANCE</b>				
Energy efficiency class	A+++	A+++	A++	A++
Reference programme	Eco 50	Eco 50	Eco 50	Eco 50
Total cycle time of reference programme (min)	195	195	195	210
Number of place settings	13	13	13	13
Energy consumption annual kWh/annum	234	234	262	262
Energy consumption kWh	0.82	0.82	0.92	0.92
Water consumption annual l/annum	2660	2660	1820	2660
Water consumption l	9.50	9.50	6.50	9.50
Power consumption in left-on mode	0.50	0.50	0.20	0.10
Power consumption in off mode	0.50	0.50	0.20	0.10
Noise level dB(A) re 1pW	42	42	44	44
<b>PROGRAMMES &amp; FUNCTIONS</b>				
Number of programmes	7	7	6	6
Programmes	Auto 65-75, Auto daily 45-65, Auto 35-45, Chef70°, Economy 50, Quick Wash 45, Pre Rinse	Auto 65-75, Auto daily 45-65, Auto 35-45, Chef70°, Economy 50, Quick Wash 45, Pre Rinse	Auto 45-65, Chef70°, Economy 50, glass 40, night program 50, Quick Wash 45	Auto 45-65, Chef70°, Economy 50, glass 40, Pre Rinse, Quick Wash 45
Number of options	4	4	4	3
Additional operational options	Extra dry, HygienePlus, Intensive Zone, VarioSpeed® Plus	Extra dry, HygienePlus, Intensive Zone, VarioSpeed® Plus	Extra dry, HygienePlus, Intensive Zone, VarioSpeed® Plus	Extra dry, Intensive Zone, VarioSpeed® Plus
<b>FLEXIBLE DESIGN</b>				
VarioDrawer Pro/VarioDrawer Plus/VarioDrawer	VarioDrawer Pro	VarioDrawer Pro	VarioDrawer Plus	
Basket type	VarioFlexPro®	VarioFlexPro®	VarioFlex Plus	VarioFlex Plus
Adjustable upper basket	Rackmatic 3-stage	Rackmatic 3-stage	Rackmatic 3-stage	Rackmatic 3-stage
Upper rack cup shelf			2	2
Cup shelf	2	2	2	2
Number of Flip Tines in Upper Rack	6	6	6	6
Number of Flip Tines in Lower Rack	8	8	6	6
Largest loadable dish upper basket (cm)	21	21	27	29
Largest loadable dish lower basket (cm)	31	34	30	33
Basket with handle	Bottom basket, Top basket	Bottom basket, Top basket	Bottom basket, Top basket	Bottom basket, Top basket
<b>INNOVATION &amp; TECHNOLOGY</b>				
Zeolith® energy efficient and perfect drying	•	•		
Door open assist	•	•		
Heat exchanger	•	•	•	•
Extra height model 86.5cm		•		•
VarioHinge		•		•
Real Time clock	•	•		
TimeLight (white projection on floor)			•	
InfoLight (red on floor)	•	•		•
Efficient silent drive	•	•	•	•
Time remaining indicator			•	•
End of cycle acoustic indicator	•	•	•	•
Childlock				•
<b>DESIGN FEATURES</b>				
EmotionLight	•	•	•	•
AquaStop flood protection	•	•	•	•
Start delay time max. hours	1-24	1-24	1-24	1-24
Self cleaning filter system	•	•	•	•
Included accessories	Large item spray head, steam deflector plate	Large item spray head, steam deflector plate	Large item spray head, steam deflector plate	Large item spray head, steam deflector plate
<b>INSTALLATION &amp; TECHNICAL INFO.</b>				
Required niche size for installation (HxWxD)	815-875 x 600 x 550	865-925 x 600 x 550	815-875 x 600 x 550	865-925 x 600 x 550
Height of the product (mm)	815	865	815	865
Width of the product (mm)	598	598	598	598
Height of the packed product (mm)	880	930	880	930
Width of the packed product (mm)	680	680	680	660
Depth of the packed product (mm)	680	680	680	680
Minimum height for installation (mm)	815	865	815	865
Maximum height for installation (mm)	875	925	875	925
Depth for installation (mm)	550	550	550	550
Net weight (kg)	47.0	48.0	41.0	42.0
Gross weight (kg)	49.0	51.0	43.0	45.0
Maximum adjustability feet (mm)	60	60	60	60
Cavity material	Stainless steel	Stainless steel	Stainless steel	Stainless steel

All of our dishwashers have AquaStop water protection, detergent aware, DosageAssist and a door lock as standard. All NEFF dishwashers are suitable for use with doors from 3.5kg-8.5kg if the correct door springs are installed.  
All models comply with COMMISSION REGULATION (EC) No 1275/2008 with regard to ecodesign requirements for standby and off mode electric power consumption. Data valid in this table as of October 2013. Subject to modification without prior notice.

## FULLY INTEGRATED DISHWASHER SPECIFICATIONS

MODEL NO.	S71M66X1GB	S51M53X2GB	S51L58X1GB	S51L53X0GB	S51L43X0GB
<b>INSTALLATION</b>	Fully integrated 60cm	Fully integrated 60cm	Fully integrated 60cm	Fully integrated 60cm	Fully integrated 60cm
Top edge panel Colour	Stainless steel	Stainless steel	Stainless steel	Stainless steel colour, lacquer	Stainless steel colour, lacquer
<b>PERFORMANCE</b>					
Energy efficiency class	A++	A+	A++	A+	A+
Reference programme	Eco 50	Eco 50	Eco 50	Eco 50	Eco 50
Total cycle time of reference programme (min)	210	210	210	210	210
Number of place settings	13	13	13	12	12
Energy consumption annual kWh/annum	262	294	262	290	290
Energy consumption kWh	0.92	1.03	0.92	1.02	1.02
Water consumption annual l/annum	2660	2660	2660	3300	3300
Water consumption l	9.50	9.50	9.50	11.70	11.70
Power consumption in left-on mode	0.10	0.10	0.10	0.10	0.10
Power consumption in off mode	0.10	0.10	0.10	0.10	0.10
Noise level dB(A) re 1pW	44	46	48	48	48
<b>PROGRAMMES &amp; FUNCTIONS</b>					
Number of programmes	6	5	5	5	4
Programmes	Auto 45-65, Chef70°, Economy 50, glass 40, Pre Rinse, Quick Wash 45	Auto 45-65, Economy 50, Intensive, Pre Rinse, Quick Wash 45	Auto, Chef, Economy, Pre Rinse, Quick Wash	Auto 45-65, Chef70°, Economy 50, Pre Rinse, Quick Wash 45	Auto 45-65, Chef70°, Economy 50, Quick Wash 45
Number of options	3	3	2	1	2
Additional operational options	Extra dry, Intensive Zone, VarioSpeed® Plus	Half load, VarioSpeed®	Intensive Zone, VarioSpeed® Plus	VarioSpeed®	Extra dry, VarioSpeed®
<b>FLEXIBLE DESIGN</b>					
VarioDrawer Pro/VarioDrawer Plus/VarioDrawer			VarioDrawer		
Basket type	VarioFlex Plus	VarioFlex	VarioFlex	VarioFlex	VarioFlex
Adjustable upper basket	Rackmatic 3-stage	Rackmatic 3-stage	Rackmatic 3-stage	Rackmatic 3-stage	Rackmatic 3-stage
Upper rack cup shelf	2	2	2	2	2
Cup shelf	2	2	2	2	2
Number of Flip Tines in Upper Rack	6	2	2	2	2
Number of Flip Tines in Lower Rack	6	4	4	4	4
Largest loadable dish upper basket (cm)	27	21	21	27	27
Largest loadable dish lower basket (cm)	30	30	30	30	30
Basket with handle	Bottom basket, Top basket	Bottom basket, Top basket	Bottom basket, Top basket	Bottom basket, Top basket	Bottom basket, Top basket
<b>INNOVATION &amp; TECHNOLOGY</b>					
Zeolith® energy efficient and perfect drying	•		•		
Door open assist	•				
Heat exchanger	•		•		
Extra height model 86.5cm			•		
VarioHinge			•		
Real Time clock	•				
TimeLight (white projection on floor)					
InfoLight (red on floor)	•	•	•	•	•
Efficient silent drive	•		•		
Time remaining indicator		•	•	•	•
End of cycle acoustic indicator	•	•	•	•	•
Childlock			•		•
<b>DESIGN FEATURES</b>					
EmotionLight	•		•		•
AquaStop flood protection	•	•	•	•	•
Start delay time max. hours	1-24	1-24	24	1-24	1-24
Self cleaning filter system	•	•	•	•	•
Included accessories	Large item spray head, steam deflector plate	Large item spray head, steam deflector plate	vapor barrier plate	Large item spray head, steam deflector plate	Large item spray head, steam deflector plate
<b>INSTALLATION &amp; TECHNICAL INFO.</b>					
Required niche size for installation (HxWxD)	815-875 x 600 x 550	815-875 x 600 x 550	815-875 x 600 x 550	815-875 x 600 x 550	815-875 x 600 x 550
Height of the product (mm)	815	815	815	815	815
Width of the product (mm)	598	598	598	598	598
Height of the packed product (mm)	880	880	880	880	880
Width of the packed product (mm)	660	660	650	655	655
Depth of the packed product (mm)	680	680	670	670	670
Minimum height for installation (mm)	815	815	815	815	815
Maximum height for installation (mm)	875	875	875	875	875
Depth for installation (mm)	550	550	550	550	550
Net weight (kg)	41.0	45.0	36.0	33.0	33.0
Gross weight (kg)	44.0	48.0	38.0	35.0	35.0
Maximum adjustability feet (mm)	60	60	60	60	60
Cavity material	Stainless steel	Stainless steel	Stainless steel/polinox	Stainless steel/polinox	Stainless steel/polinox

<sup>1</sup> Based on 280 standard cleaning cycles using cold water fill, including consumption of the standby mode.

<sup>2</sup> The consumption per cleaning cycle of the "Economy 50" programme using cold water fill.

<sup>3</sup> We would recommend our dishwashers are connected to the mains water supply where possible. However, they may also be connected to an external water softener as long as the water softener produces softened water of less than 1.1 mmol/litre (7.0°e) and the water softener in the appliance is turned off. Please contact product advice for further information. When using an external water softener unit, you will need to set the 'Refill Salt' indicator to zero otherwise over-softening of the water will take place which will result in corrosion of your glassware. Water pressure required: 0.5-10 Bar. Flow rate: 10 litres per minute. Inlet valve connected directly to ¾" screwed joint.







# LAUNDRY



Quality, performance and efficiency are standard on all our laundry appliances

A good laundry appliance should be reliable enough to provide perfect results again and again. We have three types of models to cover all your laundry needs: washing machines, washer dryer combination models and tumble dryers. All feature our signature innovations, designed to improve efficiency and, most importantly, to make life easier.



## FREESTANDING WASHING MACHINE

The standard option for most households. Accessible, easy to install, operate and service, a freestanding washing machine simply slots into a recess and quietly gets on with its job. It's also clear to see which programmes use less energy using EcoBar.



## FREESTANDING TUMBLE DRYER

To keep your fabrics soft, supple and in the best condition, dry them using a NEFF tumble dryer. Our freestanding model is fast, effective and energy efficient.



## FREESTANDING WASHER DRYER

Where space is an issue, dual-function washer dryers come into their own. Our machines are self-cleaning.



## BUILT-IN WASHING MACHINE

Discreet and unobtrusive, our built-in washing machines remain hidden behind cabinet doors in the kitchen, maintaining a clean and coordinated look.



## BUILT-IN WASHER DRYER

The ultimate space saver, our built-in washer dryer tucks neatly away behind kitchen cabinet doors so no one notices it quietly going about its business.

## INTEGRATION

Our machines are easy to fit, slotting in neatly between two units. A full height furniture door has to be fitted to the front of our built-in machines and can be hinged from the left or right, but remember, the porthole door on the machine cannot be changed around. A plinth, which is easy to remove or cut out (to allow access to the pump and vent) should be fitted across the bottom.

# WASHING WITH A NEFF LAUNDRY APPLIANCE



OUR RANGE OF LAUNDRY APPLIANCES ARE DESIGNED TO BLEND SEAMLESSLY WITH THE REST OF THE KITCHEN.

## LARGER CAPACITY AND EXTRA LARGE DOOR

The **W5420X1GB** and **W5440X1GB** feature a large 7kg drum – one of the largest on an integrated laundry appliance – allowing them to cope with around 15lbs of laundry in a single wash. Another benefit is greater fabric care and therefore less creasing when washing a normal sized load. The size of the door has also been increased to 32cm to make it easier to load and unload the machine.



V6540X1GB  
Integrated Washer Dryer

## A FEW OF OUR SPECIAL PROGRAMMES...

### SENSITIVE WASH

Great if sensitive skin is an issue, it works by maintaining the same wash temperature throughout the cycle in order to eliminate any bacteria. It also increases the water level to give a more intense rinse and reduce exposure to allergens that can cause irritation.

### RAPID 15

Perfect for lightly soiled items, our practical short programme saves energy and water by washing and rinsing in just fifteen minutes. It uses only 1.12 kWh of electricity and 36 litres of water.

### POWERWASH 60

Delivers a 5kg wash in 60 minutes while ensuring an A rated wash performance.

### NIGHT WASH

Designed to wash and dry clothes in the quietest way possible, both the washing and drying cycles are quiet enough to be used throughout the night, making the most of off-peak electricity.

### THE 3D AQUASPA WASH SYSTEM

The 3D AquaSpa wash system uses a combination of specially designed paddles, perforations in the drum and a unique cascade programme to thoroughly clean clothes in less time.

### CIRCO CARE DRUM SYSTEM

The CircoCare Drum System features a series of raised droplets across the surface. These ensure that the clothes are given a more powerful, yet gentle wash and work in conjunction with the paddles which are designed to provide a greater movement of water. The paddles have two different edges. The steep edge creates a stronger force and the shallow edge ensures the clothes glide over more gently.

### Washing machines with CircoCare Drum system:

**W5440X1GB**  
**W5420X1GB**

Paddles that provide a greater movement of water.



Raised droplets ensure a powerful yet gentle wash.



# FEATURES OF NEFF LAUNDRY APPLIANCES



## LESS IRONING

Reduces the creasing of clothes as the water is gently removed from the wash with a light interval spin at the end of the cycle.

## TIME DELAY

Allows you to programme the machine up to 24 hours in advance to suit any schedule or to take advantage of off-peak electricity rates.

## INVERSE LOGIC

Assumes that clothes are lightly soiled rather than dirty and therefore reduces the wash time by around 40%. For heavily soiled clothes, use the intensive setting.

## FLUFF REMOVAL CYCLE

Should be used regularly to ensure the fluff created by the drying cycle inside the drum and tub is removed, preventing fluff on the next wash load.

## PAUSE SYSTEM

Suspends the programme and then restarts the programme when required.

## EXTRA RINSE OPTION

Available on almost every programme, it's especially helpful for sensitive skin.

## SENSOR DRYING

Continuously monitors the drying performance using sophisticated sensors to prevent overheating and over drying. The dryer stops automatically when the correct level of dryness is reached to deliver the finest fabric care and reduce ironing.

## FOAM DETECTION SYSTEM

Automatically adjusts to reduce the foam if too much detergent has been added. It then adds an extra rinse cycle to ensure complete removal of detergent residues.

## FLEXI TIME

Cuts programme times by up to 30%. Simply select the cycle you wish to run and then select FlexiTime.

## AQUA STOP/AQUA SECURE PLUS

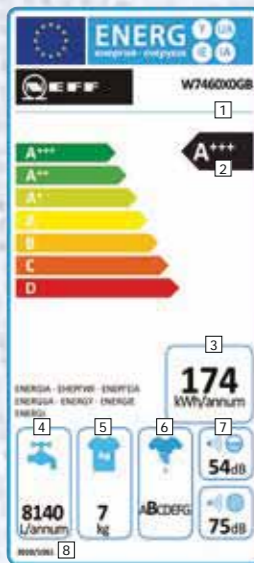
Protects inlet and outlet hoses from leakage. A safety valve, independent of the electricity supply, prevents any more water from entering the washing machine.

## LED DISPLAY

Shows programme progress symbols and a time indicator on the control panel, telling you how much time there is remaining on the cycle.

# ENERGY EFFICIENCY





**THE LAUNDRY ENERGY EFFICIENCY LABEL**

- Supplier's name or trademark and model identifier.
- Energy efficiency class.
- Annual energy consumption, based on 220 standard washing cycles. Actual energy consumption will depend on how the appliance is used.
- Water consumption in litres per year, based on 220 standard washing cycles. Actual water consumption will depend on how the appliance is used.
- Rated capacity in kilograms, based on the standard 60°C cotton programme at full load or the standard 40°C cotton programme at full load, whichever is the lower.
- Spin-drying efficiency class.
- Acoustical noise emissions in decibels, calculated during the washing and spinning phases, for the standard 60°C cotton programme at full load.
- Numbering of the regulation.

# DESIGNED FOR BUSY LIFESTYLES.

With functions and features to make laundry quick and easy, a NEFF integrated washer dryer provides the care settings you need without impacting on space.

## V6540X1GB Integrated Washer Dryer

### PERFORMANCE



### KEY FEATURES

- Residual moisture 53%
- Spin class B
- Annual energy consumption\* 204 kWh
- Annual water consumption 20600 litres
- Noise – 57dB (A) washing 74dB (A) spinning

### FEATURES

- 3D AquaSpa wash system
- Sensor drying
- FlexiTime option

### PROGRAMMES/FUNCTIONS

- Rapid 15
- Sensitive wash
- Mixed load programme
- Night wash
- Fluff removal cycle
- Sports wash
- Gentle/intensive dry
- Auto drying
- Extra rinse option

### ADDITIONAL FEATURES

- Child safety lock
- LED display



## V6320X1GB Integrated Washer Dryer

### PERFORMANCE



### PERFORMANCE

- Residual moisture 57%
- Spin class B
- Annual energy consumption\* 204 kWh
- Annual water consumption 19800 litres
- Noise – 57dB (A) washing 74dB (A) spinning

### KEY FEATURES

- 3D AquaSpa wash system

### PROGRAMMES/FUNCTIONS

- Mixed load programme
- Fluff removal cycle
- Gentle/intensive dry
- Auto drying
- Extra rinse option

### ADDITIONAL FEATURES

- Child safety lock
- Metal door catch



# INTEGRATED WASHER DRYERS



Sitting neatly behind your kitchen cabinetry, our integrated washer dryers are the ultimate space saving solution.

Ideal for more compact kitchens, many NEFF customers prefer the versatility of a combined washer dryer. Allowing you to wash 7kg loads and dry 4kg loads, our washer dryers are a convenient solution for busy families.



## W5440X1GB Integrated Washing Machine

### PERFORMANCE



### KEY FEATURES

- Residual moisture 53%
- Spin class B
- Annual energy consumption\* 218 kWh
- Annual water consumption 10560 litres
- Noise – 46dB (A) washing 64dB (A) spinning

### PROGRAMMES/FUNCTIONS

- Rapid 15
- Sensitive wash
- Mixed load programme
- Powerwash 60
- Dark wash
- Sports wash
- Intensive option
- Less ironing option
- Extra rinse option

### FEATURES

- 3D AquaSpa wash system
- Inverse logic – up to 40% faster
- CircoCare drum system

### ADDITIONAL FEATURES

- LED display
- 24-hour time delay and time remaining indicator

### TECHNICAL INFORMATION

- Dimensions: 818 x 600 x 570 mm
- Cardan drive height adjustment system

### ACCESSORIES

- Z7060X0 - Height adjustable feet
- Z7070X0 - Extension Hose for cold water inlet or Aquastop
- Z7080X0 - Floor securing component
- Z7090X0 - Adjustment rail for 850-870mm niche



## W5420X1GB Integrated Washing Machine

### PERFORMANCE



### KEY FEATURES

- Residual moisture 57%
- Spin class B
- Annual energy consumption\* 218 kWh
- Annual water consumption 10560 litres
- Noise – 46dB (A) washing 63dB (A) spinning

### PROGRAMMES/FUNCTIONS

- Mixed load programme
- Intensive option
- Less ironing option
- Extra rinse option

### FEATURES

- 3D AquaSpa wash system
- Inverse logic – up to 40% faster
- CircoCare drum system

### TECHNICAL INFORMATION

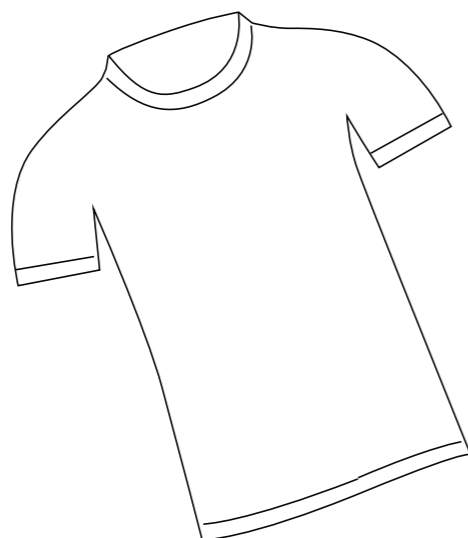
- Dimensions: 818 x 600 x 570 mm
- Cardan drive height adjustment system

### ACCESSORIES

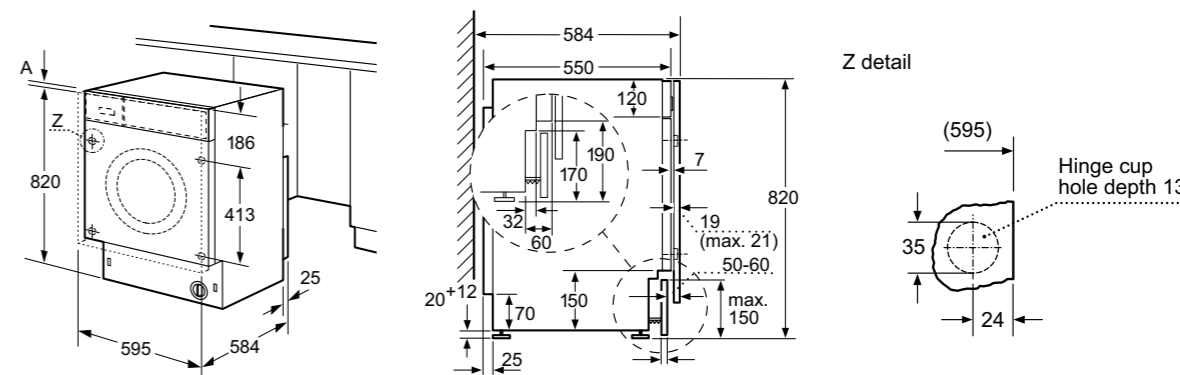
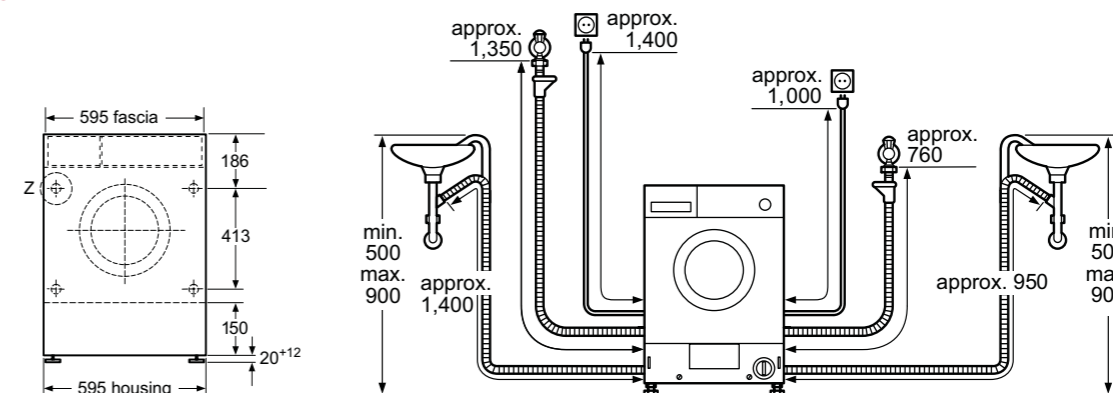
- Z7060X0 - Height adjustable feet
- Z7070X0 - Extension Hose for cold water inlet or Aquastop
- Z7080X0 - Floor securing component
- Z7090X0 - Adjustment rail for 850-870mm niche



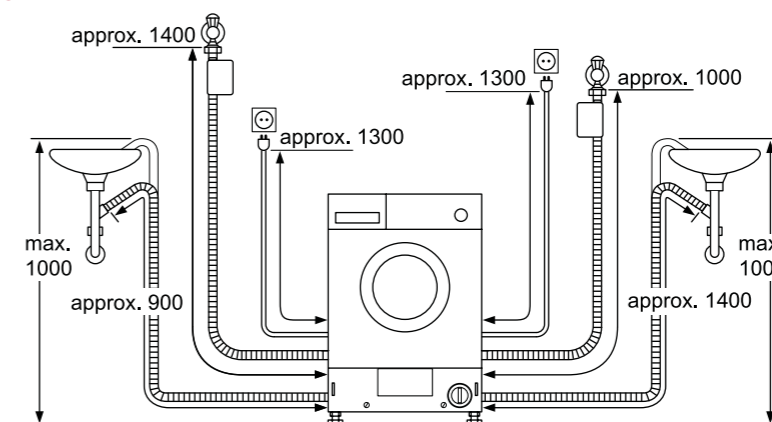
For specification details on these models see page 255.



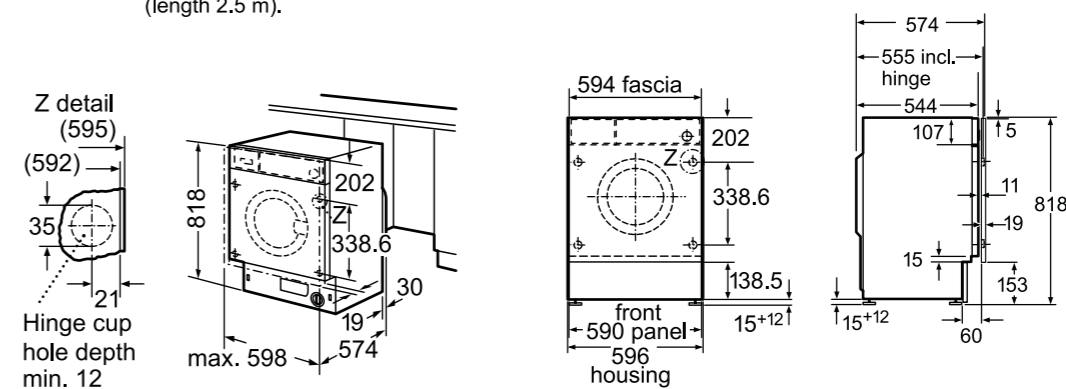
## V6320X1GB



## W5440X1GB, W5420X1GB



If, after fitting, the HydroSafe inlet hose to the installation is not long enough, it can be lengthened with the connecting kit WZ 10130 (length 2.5 m).



measurements in mm



# FULL OF INTELLIGENT SOLUTIONS.

Our freestanding laundry range offers flexibility when it comes to placing your appliance. The ideal choice for utility rooms and non-integrated kitchens.

## V7446X1GB Freestanding Washer Dryer

### PERFORMANCE



#### KEY FEATURES

- Spin class B
- Annual energy consumption\* 166 kWh
- Annual water consumption 14200 litres
- Noise – 52dB (A) washing 74dB (A) spinning

#### PROGRAMMES/FUNCTIONS

- Rapid 15
- Allergy+
- Mixed load
- Wash and dry 60
- Fluff removal cycle
- Autodry function and timed dry options
- VarioPerfect: speed or energy efficient
- Gentle/intensive dry
- Extra rinse option

#### FEATURES

- EcoSilence drive
- Anti-vibration design
- CircoCare drum system

#### ADDITIONAL FEATURES

- Large LED display
- 24-hour time delay and time remaining indicator
- Self-cleaning detergent drawer
- Child safety lock

#### TECHNICAL INFORMATION

- Dimensions: 850x 600 x 590 mm
- Door: Silver-black grey
- Slide under installation

Based on 200 washing machine cycles.



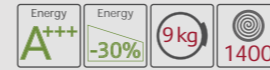
## FREESTANDING WASHER DRYER

### Designed with utility rooms in mind

When you have a dedicated utility room for all of those everyday house-keeping tasks, an integrated washer dryer option isn't always suitable for your space. Our free standing appliances are stylish enough to stand alone – perfect when you don't need your laundry solution to integrate with your kitchen furniture.

## W7460X2GB Freestanding Washing Machine

### PERFORMANCE



#### KEY FEATURES

- Residual moisture 53%
- Spin class B
- Annual energy consumption\* 152 kWh
- Annual water consumption 11220 litres
- Noise – 49dB (A) washing 75dB (A) spinning

#### PROGRAMMES/FUNCTIONS

- Rapid 15
- Allergy+
- Mixed load
- VarioPerfect: speed or energy efficient
- Sports wash
- Night wash reload
- Extra rinse option

#### FEATURES

- EcoSilence drive

- Anti-vibration design
- Wave Drum system

#### ADDITIONAL FEATURES

- Large LED display
- 24-hour time delay and time remaining indicator
- Self-cleaning detergent drawer
- Child safety lock

#### TECHNICAL INFORMATION

- Dimensions: 848 x 598 x 590 mm
- Door: Silver-black grey
- Slide under installation

#### ACCESSORIES

- WMZ2200 – Floor fixing kit
- WMZ2380 – Extension to water inlet

Based on 220 washing machine cycles.



## R8580X2GB Freestanding Condensor Dryer

### PERFORMANCE



#### KEY FEATURES

- Annual energy consumption\* 616 kWh
- Noise – 65dB (A)

#### PROGRAMMES/FUNCTIONS

- Rapid 40
- Allergy+
- Timed programmes warm/cold
- Mixed load
- Shirts 15
- Sportswear
- Low heat
- Less ironing option

#### FEATURES

- Sensitive drying system
- Anti-vibration design

#### ADDITIONAL FEATURES

- Large display
- 24-hour time delay and time remaining indicator
- Drum interior light
- Child safety lock

#### TECHNICAL INFORMATION

- Dimensions: 842 x 598 x 636 mm
- Door: Silver-black grey
- Removable top: Yes

#### ACCESSORIES

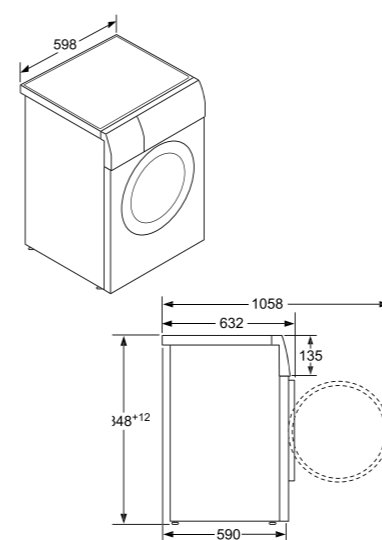
- WTZ11400 – Stacking kit with pull-out shelf

Based on 160 drying cycles.

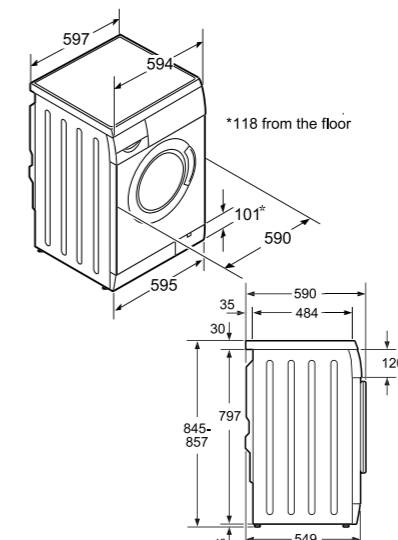


For specification details on these models see page 257.

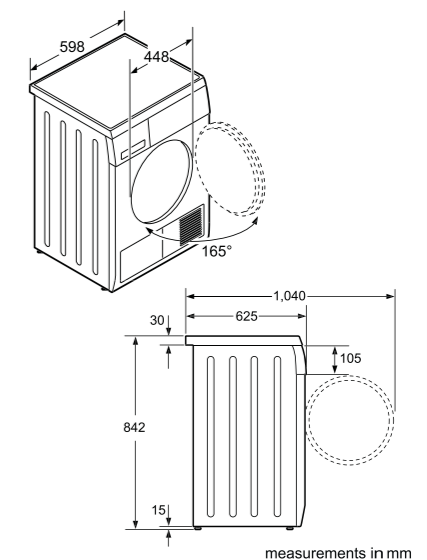
### V7446X1GB



### W7460X2GB



### R8580X2GB





## INTEGRATED WASHING MACHINE SPECIFICATIONS

MODEL NO.	W5440X1GB	W5420X1GB
<b>STANDARD PROGRAMMES</b>		
Cottons	●	●
Easy-care programme	●	●
Wool programme	●	●
Delicates/Silk	●	●
<b>SPECIALIST PROGRAMMES</b>		
Rapid 15	●	
Powerwash 60	●	
Sensitive	●	
Sports wash	●	
Dark wash	●	
Mixed load	●	●
<b>OPTIONS</b>		
Pre-wash	●	●
Intensive	●	●
Less ironing	●	●
Extra rinse	●	●
Variable temperature	●	●
Variable spin	●	●
Spin speed reduction		●
<b>KEY FEATURES</b>		
Inverse logic for faster wash times	●	●
<b>ADDITIONAL FEATURES</b>		
CircoCare drum	●	●
Time delay hours	24	
Time remaining	●	
Water protection system	AquaStop	AquaStop
<b>PERFORMANCE</b>		
Energy efficiency class	A+	A+
Capacity cotton kg	7.0	7.0
Maximum speed rpm	1400	1200
Moisture content % on dry load after max. spin	50	53
Spin drying performance class	B	B
Energy consumption annual kWh/annum	218	218
Water consumption annual l/annum	10560	10560
Drum volume litres	55	55
Noise level washing dB (A) re 1pW	46	46
Noise level spinning dB (A) re 1pW	64	63
<b>TECHNICAL INFORMATION</b>		
Appliance dimensions HxWxD mm	818x600x570	818x600x570
Display	LED	
Cabinet colour	White	White
Door colour	White	White
Removable top	●	●
<b>OPTIONAL ACCESSORIES</b>		
Height adjustment	Z7060X0	Z7060X0
Adjustment rail for 850-870mm niche	Z7080X0	Z7080X0
Floor securing kit	Z7070X0	Z7070X0
Extension for water inlet/AquaStop	Z7060X0	Z7060X0

## INTEGRATED WASHER DRYER SPECIFICATIONS

MODEL NO.	V6540X1GB	V6320X1GB
<b>STANDARD PROGRAMMES</b>		
Cottons	●	●
Easy-care programme	●	●
Wool programme	●	●
Delicates/Silk	●	●
Intensive dry	●	●
Gentle dry	●	●
<b>SPECIALIST PROGRAMMES</b>		
Rapid 15	●	
Night wash	●	
Sports wash	●	
Sensitive	●	
Mixed load	●	●
Fluff removal programme	●	●
<b>OPTIONS</b>		
Intensive	●	●
Less ironing	●	●
Extra rinse	●	●
Pre-wash	●	●
Variable temperature	●	●
Variable spin	●	●
Spin speed reduction	●	●
FlexiTime	●	●
<b>KEY FEATURES</b>		
Full electronic control dial for all wash and special programmes	●	●
Time selection options	●	●
<b>ADDITIONAL FEATURES</b>		
3D AquaSpa system	●	●
Time delay hours	24	19
Child safety lock	●	●
Water protection system	Multiple	AquaSecure
<b>PERFORMANCE</b>		
Energy efficiency class	B	B
Capacity cotton (washing) kg	7.0	7.0
Capacity cotton (drying) kg	4.0	4.0
Maximum speed rpm	1400	1400
Energy consumption (wash and dry of full wash load) kWh	5.6	5.5
Energy consumption (wash only) kWh	1.25	1.27
Total annual energy consumption (washing and drying 200 full loads) kWh	1120	1100
Water consumption (wash and dry of full wash load) litres	103	99
Total annual water consumption (wash and drying of 200 full loads) litres	20600	198000
Drum volume litres	52	52
Noise level washing dB (A) re 1pW	57	57
Noise level spinning dB (A) re 1pW	74	74
Noise level drying dB (A) re 1pW	60	60
<b>TECHNICAL INFORMATION</b>		
Appliance dimensions HxWxD mm (Exc door)	820x595x584	820x595x584
Display	LED	LED
Cabinet colour	White	White
Door colour	White	White
Fully integratable	●	●
<b>OPTIONAL ACCESSORIES</b>		
Adjustment rail for 850-870mm niche	Z7090X0	Z7090X0
Floor securing kit	Z7090X0	Z7090X0
Extension for water inlet/AquaStop	Z7090X0	Z7090X0
Height adjustable feet	Z7060X0	Z7060X0

## FREESTANDING WASHING MACHINE AND WASHER DRYER SPECIFICATION

MODEL NO.	W7460X2GB	V7446X1GB
<b>STANDARD PROGRAMMES</b>		
Cottons	●	●
Easy-care programme	●	●
Wool programme	●	●
Delicates/Silk	●	●
Intensive dry		●
Gentle dry		●
<b>SPECIALIST PROGRAMMES</b>		
Rapid 15	●	●
Sports wash	●	
Allergy +	●	●
Dark wash	●	
Mixed load	●	●
Wash and dry 60		●
Night wash	●	
Down	●	●
Hygiene care		●
Automatic drying programme		●
Drum clean	●	●
<b>OPTIONS</b>		
EcoPerfect	●	●
SpeedPerfect	●	●
Extra rinse	●	●
Pre-wash	●	Cottons
Variable temperature	●	●
Variable spin	●	●
<b>KEY FEATURES</b>		
VarioPerfect	●	●
ActiveWater system	●	
Anti-Vibration design	●	●
Consumption indicator – Energy	●	
<b>ADDITIONAL FEATURES</b>		
CircoCare drum		●
Wave drum	●	
Time delay hours	24	24
Time remaining	●	●
Reload facility	●	●
Child lock	●	●
Self cleaning dispenser	●	●
Water protection system	Multiple	Multiple
<b>PERFORMANCE</b>		
Energy efficiency class	A+++ (30% better)	A
Capacity cotton (washing) kg	9.0	8.0
Capacity cotton (drying) kg		5.0
Maximum speed rpm	1400	1500
Moisture content % on dry load after max. spin	53	49
Spin drying performance class	B	B
Energy consumption annual kWh/annum	152	166
Water consumption annual l/annum	11220	14200
Drum volume litres	63	56
Noise level washing dB (A) re 1pW	49	52
Noise level spinning dB (A) re 1pW	75	74
<b>TECHNICAL INFORMATION</b>		
Appliance dimensions HxWxD mm (Exc door)	848x598x590	850x600x590
Display	LED	LED
Cabinet colour	White	White
Door colour	Silver black grey	Silver black grey
Removable top		
<b>OPTIONAL ACCESSORIES</b>		
Built under kit		
Floor fixing kit	WMZ2200	
Extension to water inlet	WMZ2380	

## FREESTANDING CONDENSER DRYER SPECIFICATION

MODEL NO.	R8580X2GB
<b>STANDARD PROGRAMMES</b>	
Cottons	●
Easy-care programme	●
Wool programme	●
<b>SPECIALIST PROGRAMMES</b>	
Rapid 40	●
Woollen finish	●
Mixed load	●
Shirts 15	●
Sportswear	●
Allergy +	●
Down	●
Timed programmes	●
<b>OPTIONS</b>	
Low heat option	●
Less ironing	●
<b>KEY FEATURES</b>	
AirCondensation Technology	●
Anti-vibration design	●
<b>ADDITIONAL FEATURES</b>	
Anti-crease cycle mins	120
Time delay hours	24
Time remaining	●
Drum interior light	●
Water container full/blocked filter warning indicator	●/●
Child lock	●
<b>PERFORMANCE</b>	
Energy efficiency class	B
Capacity cotton kg	9.0
Energy consumption based on 160 drying cycles (full and partial loads)	616
Energy consumption full load kWh	5.2
Energy consumption half load kWh	2.8
Condensation efficiency class	B
Weighted condensation efficiency	88%
Drum volume litres	112
Noise level dB (A) re 1pW	65
<b>TECHNICAL INFORMATION</b>	
Appliance dimensions HxWxD mm (Exc door)	842x598x636
Display	LED
Cabinet colour	White
Door colour	Silver black grey
Removable top	
<b>OPTIONAL ACCESSORIES</b>	
Built under kit	
Floor fixing kit	
Stacking kit with pull out shelf	WTZ11400





NEFF IS A  
COOLBRAND®  
2015/16



After extensive selection from a panel of business leaders, music artists, designers, actors and 2,500 members of the British public, NEFF has been awarded a place amongst some of the world's most prolific brands.

CoolBrands® is an annual, independently led survey which looks to find the 'coolest', most desirable brands operating within the UK. Brands do not apply or pay a fee to be considered, and are selected independently by The Centre for Brand Analysis before being put to the panel.

CoolBrands® are renowned for inspiring, innovating and focusing on their audiences' passions. With a 485,000 strong social cooking community, a global food producer campaign and a dedicated team of Cookaholics, NEFF was considered to excite and empower cooks. To find out more about our new found status, please visit [www.coolbrands.uk.com/neff](http://www.coolbrands.uk.com/neff).

## NEFF COOKERY SCHOOLS



### BE INSPIRED AT A NEFF COOKERY SCHOOL

Our cookery schools are a great way to meet like-minded Cookaholics and learn how to get the best out of your appliances. Hosted by dedicated NEFF Home Economists, our courses are designed to inspire cooks of all levels and abilities.

To view our upcoming courses and book your place, please visit our website:

[neff.co.uk/offers-news-events/cookery-schools.html](http://neff.co.uk/offers-news-events/cookery-schools.html)

If you can't find a cookery school near you, our kitchen dealer events are also a great way to see exactly what our appliances can offer. Simply visit:

[neff.co.uk/offers-news-events.html](http://neff.co.uk/offers-news-events.html)

to view events at local kitchen showroom

## INFORMATION FOR OUR RETAILERS ONLY

### TALK TO YOUR CUSTOMERS WITH COMPLETE CONFIDENCE



We're committed to ensuring that our kitchen specialists and retailers are confident when it comes to talking about NEFF's innovative features. We hold regular training sessions at our own showroom and our Mobile Training Academy can provide training events around the country. Our training events are very much focused on what our appliances can do. That's means there's plenty of cooking, lots of hands-on demonstrations and the potential to put your questions to our experienced Home Economists.

### OUR MOBILE TRAINING ACADEMY IS ON TOUR



The NEFF Mobile Training Academy is a state-of-the-art, fully equipped showroom and kitchen. Featuring a wide range of our Premium Collection appliances, the academy is ideal for both consumer events and staff training. With the option to host cookery demonstrations on board, it's a great way to show your customers exactly how NEFF appliances work. Check [neff.co.uk](http://neff.co.uk) to see when the Mobile Training Academy is near you.

### YOUR NEFF TRADE SITE



To ensure you can effectively showcase your NEFF range, we've added a wide selection of product images, campaign films and advertising material to our dedicated NEFF Trade Site. Simply create your account and enjoy easy access to our digital and print assets: [neff.co.uk/ims](http://neff.co.uk/ims)

### THE HUB



The Hub has been created as a central point of communication between you and NEFF. Providing a comprehensive Toolbox, rewards scheme and news portal, The Hub provides everything you need to promote your business and NEFF. It's now also possible to order POS and book both the Mobile Training Academy and consumer demonstrations through the site: [thehub.bsh-group.co.uk](http://thehub.bsh-group.co.uk)



# NEFF BAKE IT YOURSELF



NEFF Bake It Yourself is the ultimate online community for people who love to cook.

Packed full of recipe inspiration, seasonal eats and videos from our very own Cookaholics, come and join the conversation on Facebook, YouTube, Twitter, Pinterest and Instagram. All levels of cooking ability are welcome, simply ask a question and we'll respond with some great tips and tricks. We love hearing about anything and everything our foodie community have created. Rustled up the most beautifully cooked steak? We'd love to see it! Have a great summer drinks recipe? Please share it with us – we might even create a NEFF recipe card in your honour.



JOIN OUR COMMUNITY OF COOKAHOLICS.

TAKE A LOOK AT OUR WIDER SOCIAL MEDIA CHANNELS TOO:

[https://twitter.com/\\_bakeityourself](https://twitter.com/_bakeityourself)  
<https://www.facebook.com/bakeityourself>  
<http://pinterest.com/biybyneff/>  
[https://instagram.com/\\_bakeityourself/](https://instagram.com/_bakeityourself/)  
<https://www.youtube.com/user/bakeityourself>



## MEET THE COOKAHOLICS

Find out what inspires our Cookaholics on our NEFF Bake It Yourself YouTube channel. With quick hacks, recipes from our global food producers and seasonal creations, it's easy to cook-along with NEFF.

BE INSPIRED TO TRY SOMETHING NEW.



COOKING INSPIRES PEOPLE. PEOPLE INSPIRE US.





# NEFF CUSTOMER SERVICE



Here at NEFF, we understand that although our kitchens and appliances are designed to cope with even the most exacting Cookaholics, sometimes you need to turn to us for help. Whether you need a visit from one of our engineers, some spare parts for your NEFF appliance or just some helpful advice, we're here to talk - round the clock\*.

GIVE US A CALL ON

**0344 892 8989\***

If you're in the Republic of Ireland, call us on (01) 450 2655

or visit [NEFF.co.uk](http://NEFF.co.uk)

\*Lines open 24 hours a day. Customers in the Republic of Ireland can book appointments Monday to Friday 8am to 8pm, Saturday 8am to 4pm and Sunday 9am to 3pm. Calls are charged at the basic rate, please check your telephone service provider for exact charges.



## RECEIVE THE HIGHEST STANDARDS OF SERVICE FROM NEFF

NEFF appliances are well-known for their quality and we believe that our customers deserve customer service to match. You can contact us seven days a week, 24 hours a day for assistance. We provide expert repairs both inside and outside the manufacturer's warranty period and we can offer advice on choosing an appliance which will enhance your favourite dishes.

NEFF is part of BSH Home Appliances – winner of the 2015 Domestic and General Total Excellence and Quality Award. The awards are based on surveys sent to repair customers of most of the major manufacturers.

**Register** ✓  
**my appliance**

## REGISTER YOUR APPLIANCE AND WARRANTY

It is important that you register all your kitchen appliances to ensure that the manufacturer has full details in the event of an important product update. You can find out more about registering your appliances at

[www.registermyappliance.org.uk](http://www.registermyappliance.org.uk)

All NEFF appliances are supplied with a two-year manufacturer's warranty. Please call 0800 519 2115 (Ireland 01 230 0344) to register your NEFF warranty and find out more about extending your cover.



## ARRANGE A VISIT FROM A NEFF ENGINEER

If you an engineer to visit your home, help is at hand. We'll arrange for a NEFF engineer near you to call in and fix your appliance, at a time that's suitable for you.



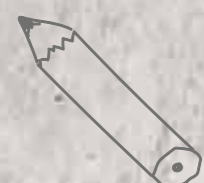
## SPARE PARTS, ACCESSORIES AND CLEANING PRODUCTS

Need a replacement spare part or one of our tested and approved accessories to enhance your appliance? Take a look at our range. We also sell cleaning and care products tested and approved by NEFF.



## ONLINE HELP AND PRODUCT ADVICE

You'll have read the manual cover to cover, we know, but if you want to know more about using your NEFF appliance, or you're thinking of adding another to your collection, our specialist advisors can tell you all you need to know.



## REGISTER YOUR APPLIANCE AND WARRANTY YOU CAN ALSO DISCUSS OPTIONS TO EXTEND YOUR WARRANTY.

All NEFF appliances are provided with a two-year manufacturer's warranty. This gives you peace of mind, knowing that NEFF engineers are ready to help.

You can register by telephone on 0800 519 2115 (Ireland 01 230 0344)  
Or by visiting [www.neff.co.uk/customer-service](http://www.neff.co.uk/customer-service)



## SHOP NEFF ACCESSORIES, CLEANING PRODUCTS AND REPLACEMENT SPARE PARTS

Pay a visit to the NEFF online store ([www.neff.co.uk/store](http://www.neff.co.uk/store)) to find everything you need to enhance and maintain your appliances. From speciality cookware such as NEFF Griddle Pans and ComfortFlex oven rails to cleaning products to keep your appliance looking like new.

Browse products such as cookware specially selected by NEFF or additional options for your oven. You can also find replacement filters and locate and buy genuine replacement spare parts. Our popular range of tested and approved cleaning and care products keep your appliances working at their best and restore a showroom shine. If you need expert assistance, please call us on 0344 892 8989.



## FOR OUR RETAILERS ONLY

### TRADE ORDERS OF NEFF ACCESSORIES, CLEANING PRODUCTS AND REPLACEMENT SPARE PARTS

Trade customers can order these products and pay via invoice by opening a Customer Service account. For more information, please email [mks-spares@bshg.com](mailto:mks-spares@bshg.com) in the first instance and we will assist you in the application process. Once your account (subject to approval) is opened, you will be able to order quickly and easily via an online system.







COOKING PASSION SINCE 1877



#### COLOUR ILLUSTRATIONS

Due to variables in photographic and printing processes, all colours in this brochure are subject to deviation from the appliance actually illustrated.

#### IMPORTANT NOTES

This brochure is current as from the publication date and supersedes all previous brochures for these products. This brochure should not be regarded as an infallible guide nor as an offer for sale of any particular product. Whilst BSH Home Appliances Ltd believes that all information contained within this brochure is correct at the time of going to print, no representation or warranty, express or implied, is or will be made and no responsibility or liability is or will be accepted by BSH Home Appliances Ltd in relation to the accuracy or completeness of this information and any liability is expressly disclaimed. To the extent permitted by law, BSH Home Appliances Ltd expressly excludes: i) all conditions, warranties and other terms which might otherwise be implied by statute, common law or the law of equity and ii) any liability for any direct, indirect or consequential loss or damage (including, without limitation, damages for loss of business or loss of profits) arising in contract, tort or otherwise from the use of or reliance on any information contained within this brochure or from any action or decision taken as a result of such use or reliance. BSH Home Appliances Ltd reserves the right to modify technical data and all other information contained within this brochure without notice. All rights reserved.

All photography and copy in this brochure are the property of, or under licence to, NEFF and must not be used without prior permission. Please contact the Neff Marketing Department for assistance.

Slide&Hide®, VarioSteam®, CircoTherm®, NeffLight®, FreshSafe®, EasyClean®, VarioFlexPro®, TwistPad®, EcoClean® and NeffSparkle® are trade marks of BSH Home Appliances Limited.

For product specifications please go to [www.neff.co.uk](http://www.neff.co.uk) or ask your local retailer.

NEFF Dealers are not agents of NEFF and therefore have no authority to bind NEFF by any express or implied undertaking or representation.

NEFF Customer Service  
Grand Union House  
Old Wolverton Road  
Milton Keynes  
Buckinghamshire  
MK12 5ZR

BSH Home Appliances Ltd.  
M50 business Park  
Ballymount  
Dublin 12  
T 1890 626 041  
[www.neff.ie](http://www.neff.ie)

NEFF, a division of  
BSH Home Appliances Ltd.  
Grand Union House  
Old Wolverton Road  
Wolverton  
Milton Keynes  
MK12 5PT  
[www.neff.co.uk](http://www.neff.co.uk)

